



FLEXIGUARD™
ENGINEERED MODULAR UNIT

Now part of



MODULAR. MOBILE. ROTATIONAL.

A SYSTEM AS VERSATILE
AS YOU NEED IT TO BE



MODULAR SYSTEM

Change configuration
as your needs change

LIGHTWEIGHT DESIGN

Move easily with pallet jack
or forklift

360° MAST ROTATION

Locking pin holes every
11 degrees



THE ULTIMATE IN FALL PROTECTION



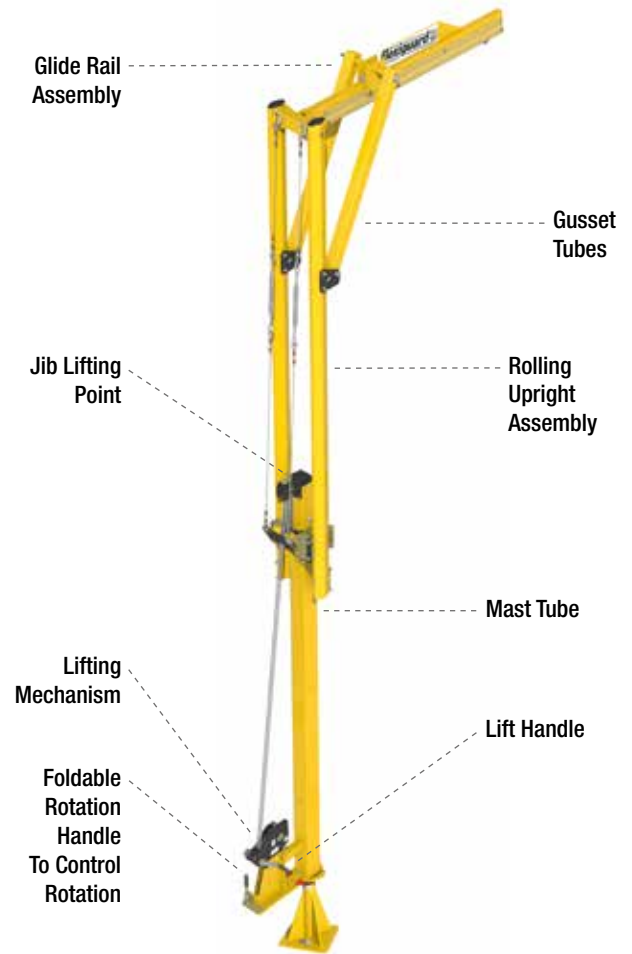
VERSATILITY ISN'T JUST A WORD WE USE – THIS IS THE REAL DEAL.

- Installed Glide 360 Rail provides a 2.1 m (7') offset and includes (1) trolley rated for one user (140 kg)
- 360° Rotation Mast allows for a 1.8 m (6') working radius from the anchor point
- All hardware Zinc Plated or Stainless Steel
- Powder Coated in Safety Yellow
- Fixed or adjustable height configurations
- Steel and Aluminium construction; strong, lightweight and cost-effective
- CE EN 795:2012 class B certified

- Rotational locking pin can either prevent rotation completely or limit the rotation to a specified range using magnetic stop tabs. Adjustments can be made every 11 degrees.



IMAGINE THE POSSIBILITIES!

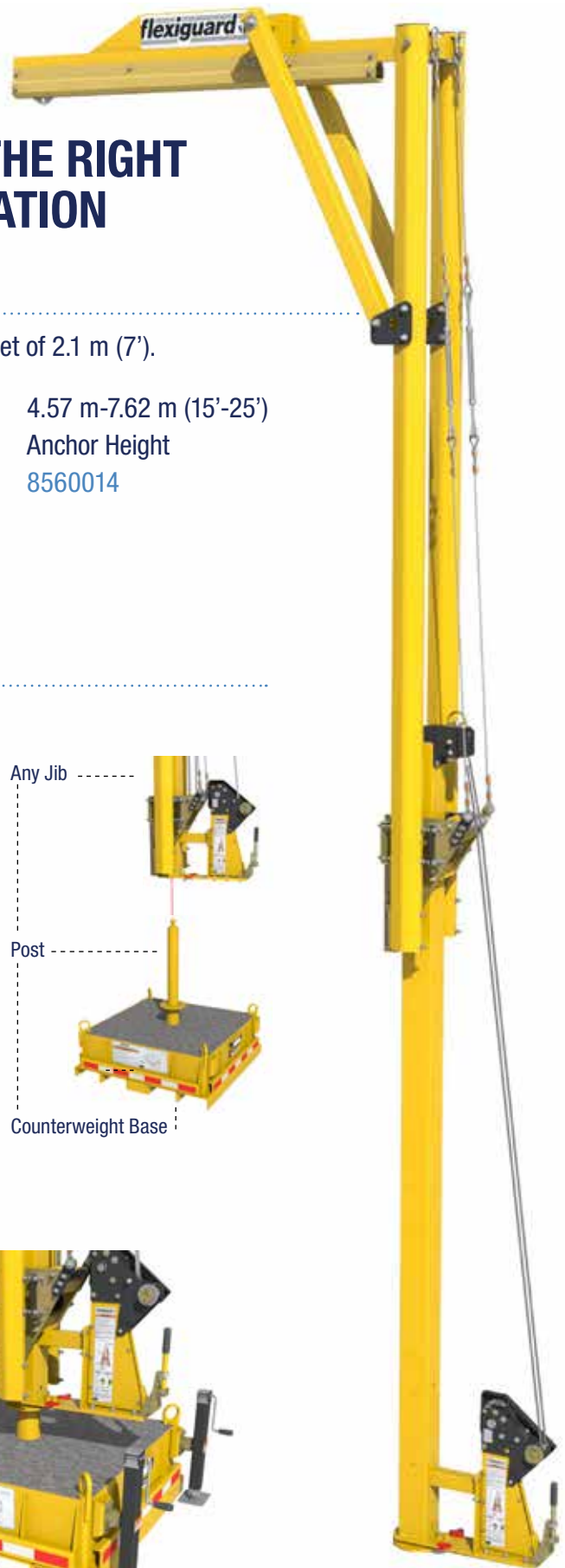


ANYWHERE AN OVERHEAD ANCHORAGE POINT IS NEEDED FOR FALL PROTECTION

The latest from the FlexiGuard™ product line is the highly customizable Engineered Modular Unit (EMU). This modular system is designed for easy adjustment and maximising flexibility without sacrificing safety.

The lightweight design allows for easy mobility around the jobsite with a pallet jack or forklift. With three adjustable height models there is a configuration to fit virtually any need.





MODULAR SOLUTIONS PROVIDE THE RIGHT COMPONENTS FOR YOUR APPLICATION

ADJUSTABLE HEIGHT JIB

Height Adjustment Jib Assembly Options. All models have an Offset of 2.1 m (7').

3.05 m-4.57 m (10'-15')

Anchor Height

8560018

3.96 m-6.1 m (13'-20')

Anchor Height

8560017

4.57 m-7.62 m (15'-25')

Anchor Height

8560014

Anchor heights are from the ground so include the base height.

2268KG (5000LB) COUNTERWEIGHT BASE

8560019 with concrete (as shown), 2268 kg / 5000 lb

8560013 without concrete base

- **Plate Base**
1.37 m x 1.37 m (4' 6" x 4' 6")
- **Base (with Jack Leveling Kit)**
1.92 m x 1.37 m (6' 3-3/4" x 4' 6")
- **Overall Height (Including Insert)**
1.54 m (5')



ACCESSORIES

Jack Leveling Kit

8530563



CAPITAL SAFETY, EMEA

5a Merse Road, North Moons Moat
Redditch, B98 9HL, UK
t: +44 (0) 1527 548 000 f: +44 (0) 1527 591 000

Le Broc Center, Bâtiment A, Z.1. 1re Avenue – BP15
06511 Carros Le Broc, Cedex, FRANCE
t: +33 (0) 4 97 10 00 10 f: +33 (0) 4 93 08 79 70



00 800 999 55500

@CapitalSafetyUK

information@capitalsafety.com

facebook.com/CapitalSafety

capitalsafety.com

youtube.com/CapitalSafetyEMEA