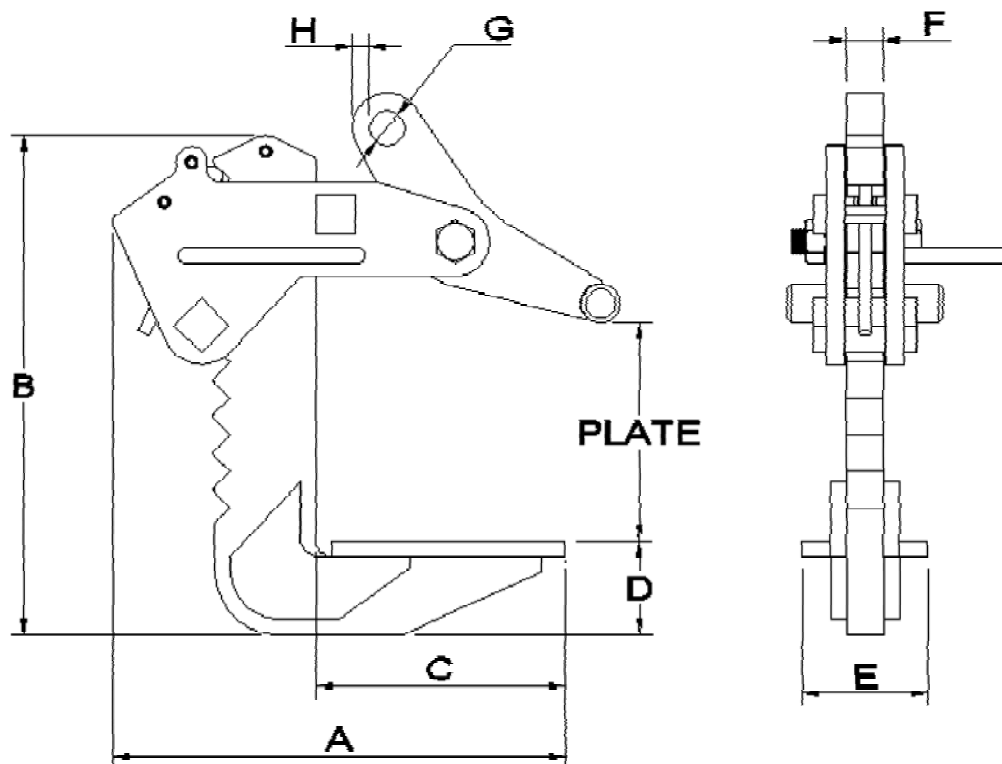


DESCRIPTION

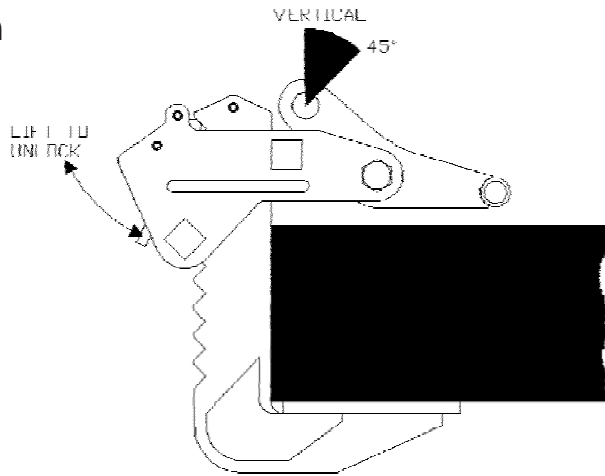
The ACH Series of plate clamps can be used in pairs with a 2 leg sling at 90° on all types of materials in plate form providing that the plate can withstand the forces imposed on to it. The Adjustable Height Horizontal Plate Clamp is designed to lift and transport thick plate and plate bundles in the horizontal position



Table

Model	WLL kg	Plate mm Z	Weight kg	A	B	C	D	E	F	G	H
ACH 350/150	350	0 - 150	21	527	552	280	82	134	20	40	73
ACH 650/150	650	0 - 150	22	527	552	280	82	134	20	40	73
ACH 1300/150	1300	0 - 150	23	527	552	280	82	134	20	40	73
ACH 2300/150	2300	0 - 150	33	581	642	320	120	150	25	45	34
ACH 3300/150	3300	0 - 150	39	581	642	320	120	150	25	45	34
ACH 5000/150	5000	0 - 150	59	787	810	420	160	195	30	60	32
ACH 6650/150	6650	0 - 150	65	787	810	420	160	195	30	60	32
ACH 350/250	350	0 - 250	21	527	796	280	82	134	20	40	73
ACH 650/250	650	0 - 250	22	527	796	280	82	134	20	40	73
ACH 1300/250	1300	0 - 250	23	527	796	280	82	134	20	40	73
ACH 2300/250	2300	0 - 250	33	581	834	320	120	150	25	45	34
ACH 3300/250	3300	0 - 250	39	581	834	320	120	150	25	45	34
ACH 5000/250	5000	0 - 250	59	787	990	420	160	195	30	60	32
ACH 6650/250	6650	0 - 250	65	787	990	420	160	195	30	60	32

Diagram

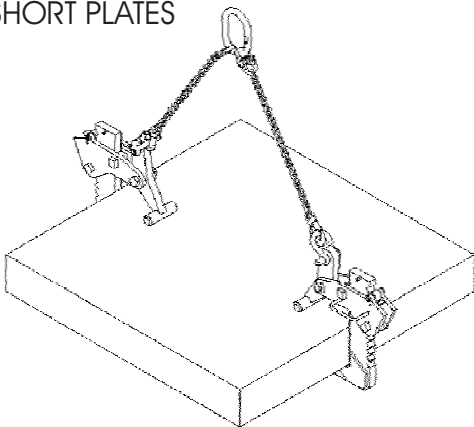


Always read instructions prior to use.

RESTRICTIONS

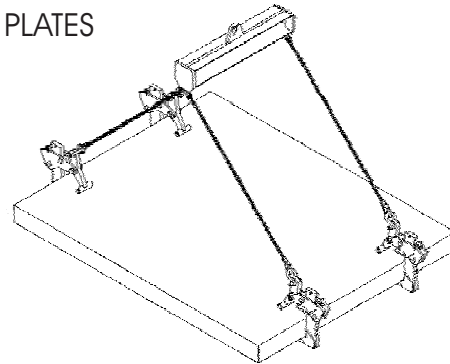
Included angle between chain and sling is not to exceed 90 degrees.

FOR SHORT PLATES



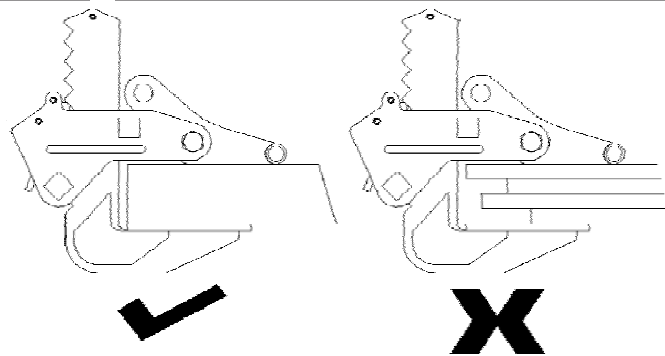
Use one pair of clamps for short plates

FOR LONG PLATES



Use a lifting beam or a spreader beam for long plates. DO NOT use endless chain slings or 4 leg slings.

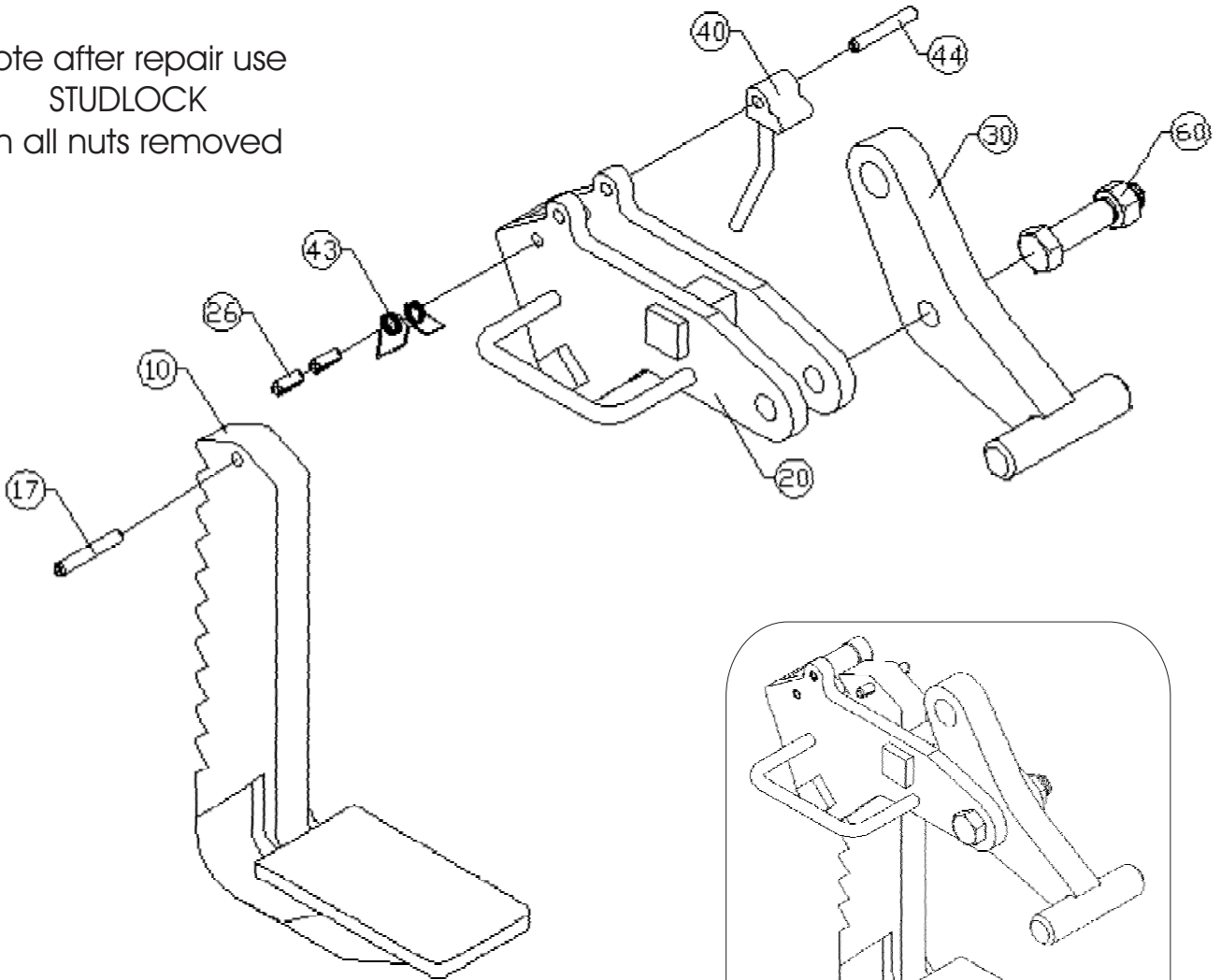
Check the plate is in contact with the back of the clamp. Bundles must be the same width and size.



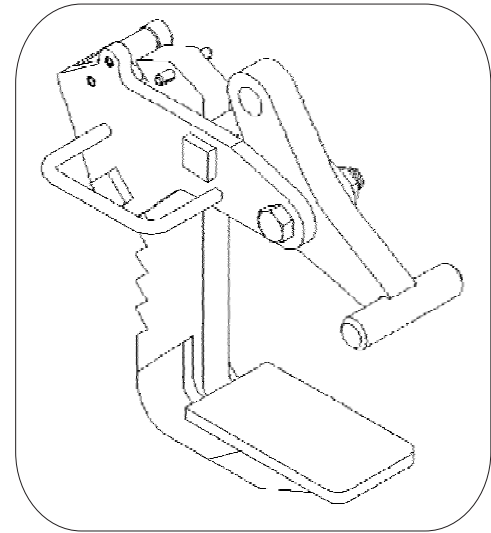
OPTIONS

Standard clamps have a jaw capacity of 0 to 150mm and 0 to 250mm, although other sizes are available on request, the clamp is also available with a flat plate jaw that can be lined with various materials eg hard rubber to prevent damage to load.

Note after repair use
STUDLOCK
on all nuts removed



Always quote clamp serial
number, part description and
model when ordering spares.



Spares List

REF	DESCRIPTION	ACH1	ACH1L	ACH3	ACH3L	ACH6	ACH6L
10	BODY ASSY	ACH1-100	ACH1L100	ACH3-100	ACH3L100	ACH6-100	ACH6L100
17	SPIROL PIN	40008040	40008040	40008050	40008050	40008065	40008065
20	LEVER ARM ASSY	ACH1-200	ACH1-200	ACH3-200	ACH3-200	ACH6-200	ACH6-200
26	SPIROL PIN	40008016	40008016	40008020	40008020	40008024	40008024
30	JAW ASSY	ACH1-300	ACH1-300	ACH3-300	ACH3-300	ACH6-300	ACH6-300
40	LATCH ASSY	ACH1-400	ACH1-400	ACH3-400	ACH3-400	ACH3-400	ACH6-400
43	SPRING	ACH1-430	ACH1-430	ACH3-430	ACH3-430	ACH3-430	ACH6-430
44	SPIROL PIN	40008040	40008040	40008050	40008050	40008065	40008065
60	JAW BOLT ASSY	ACH1-600	ACH1-600	ACH3-600	ACH3-600	ACH6-600	ACH6-600