



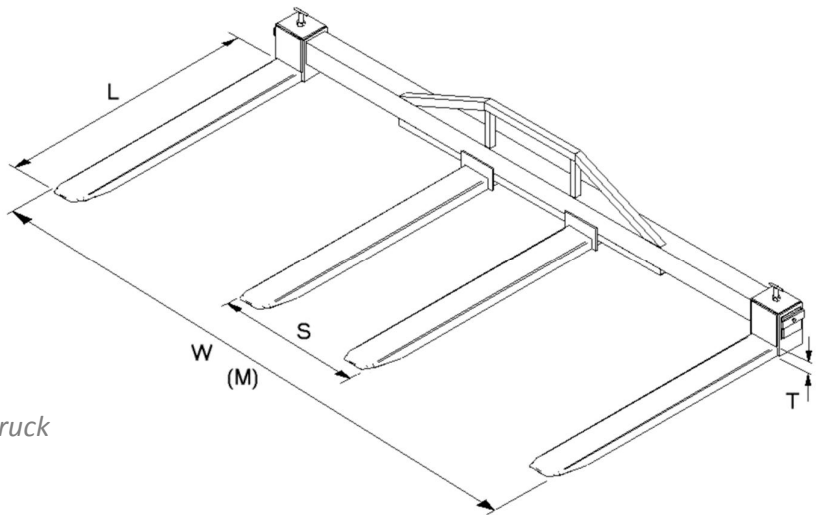
Adjustable Four Fork Attachment (AFFA)

CONTACT Adjustable Four Fork Attachments are designed for use when handling extra wide loads where the pallet width varies or where the pallet bearer position varies substantially. The outer forks can be moved in or out to suit the variations in pallet or load.

Our popular Adjustable Four Fork Attachments are manufactured to suit individual trucks and applications. It is important to provide all information stated below when ordering.

Solid Outer Fork Models are available by request.

To fit; simply lower the truck forks fully and drive slowly forward until the fork face contacts the beam of the attachment. Then fit the heel pin behind the truck forks. Ensure the attachment is fully secured before use. To move outer forks, unscrew top clamp, and lift the tip of the extension while moving the unit in the desired position. Tighten clamps once desired position is reached.



Attachment Fork Length (L) **must not** exceed truck fork length by more than 50%

Maximum Lateral Adjustment is 1000mm

Model Ref.	Capacity	Max Fork Width	Max Fork Thickness	Lost Load Centre
AFFA-1.0	1000kgs	140mm	50mm	90mm
AFFA-2.0	2000kgs	140mm	50mm	90mm
AFFA-3.0	3000kgs	140mm	50mm	90mm/160mm *

