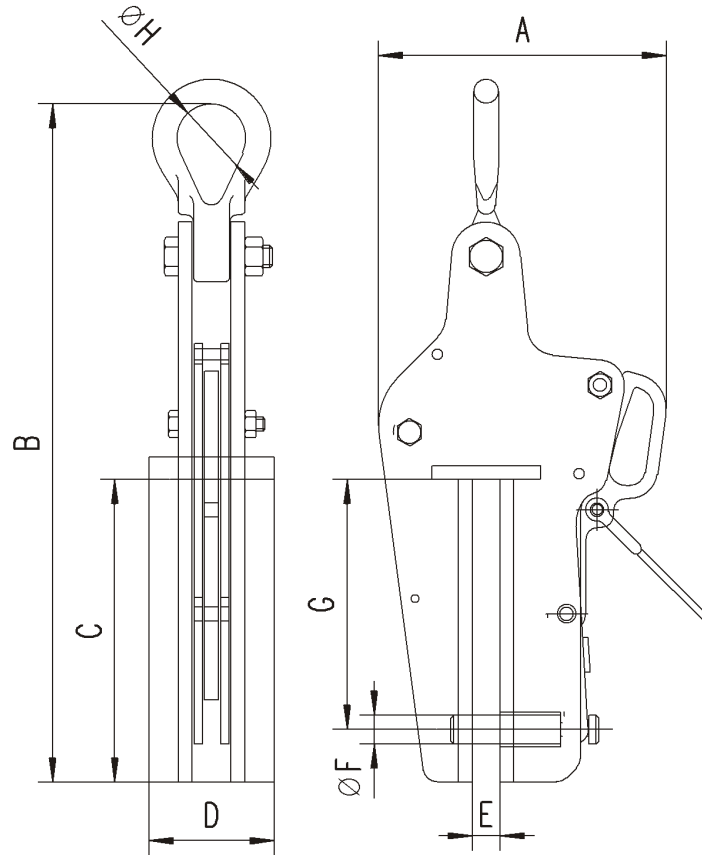


## DESCRIPTION

These clamps are designed specifically for pitching sheet steel piling and have the advantage that a rope is fitted for easy release from the ground. The CP clamps are not designed to extract a driven pile and must not be used for this under any circumstances.

## DIAGRAM



## TABLE

MODEL	Cap t	Weight kg	A	B	C	D	E	F	G	H
CP 1.5	1.5	19	207	488	218	90	18	20	180	50
CP 3.0	3.0	23	226	517	218	100	24	24	180	63
CP 6	6	33	269	575	218	120	24	30	180	89