

TECHNICAL DATA SHEET

CHEST ASCENDER

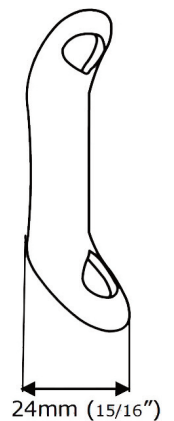
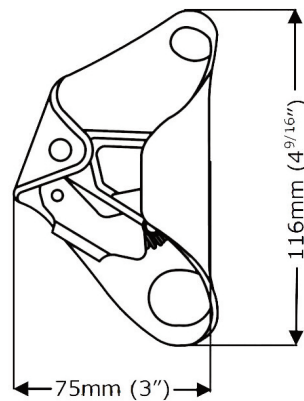
TDS202



Chest Ascender Technical Data Sheet

Chest Ascender

The Chest Ascender is compact & lightweight and has been designed for use on a full body harness. Therefore it is ideal for use in Rope Access work. The cam is spring-loaded and fitted with a catch mechanism, allowing for one-handed operation of the device whilst attaching to/removing from the rope. The Chest Ascender has an increased grip at low load, even on wet/greasy/oily ropes. The cones are angled downwards, giving maximum grip but allowing the cam to slide easily up the rope.



product features

- ▶ Rope size- 9mm-13mm [5/16" - 1/2"]
- ▶ CAM material- Stainless Steel
- ▶ Body- Anodised Aluminium
- ▶ One handed operation
- ▶ Two attachment points

principal materials

- ▶ Anodised Aluminium

standards

- ▶ EN 567:67
- ▶ CE 0120

ordering information

Part No.	Description	Weight
▶ RA002	Aluminium Chest Ascender Red	157g

The information on this data sheet is for marketing purposes only and Checkmate reserves the right to amend at any time without notice. The information must not be relied on for use, which must be obtained from the product marking and user information.

TDS202

ISSUE 02



CHECKUSOUT

www.checkmateuk.com

