



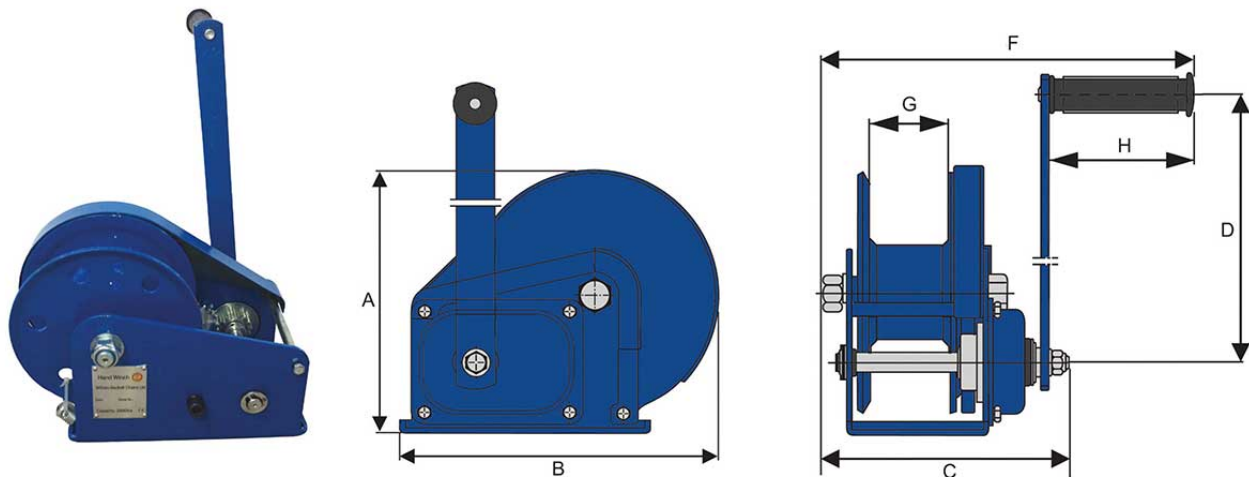
## Hackett Hand Winch

A simple, strong, safe and effective hoisting solution for a wide range of applications and industries. Twin Pawl system for added safety under load.

- The positive action brake on the Hackett hand winch can hold the load in any position.
- The brake is sealed in a strong steel cover to protect from dust and rain.
- It is compact, light weight and is of rugged construction.
- The winch should only be used for pulling.
- A notable feature of the Hackett hand winch brake system is that it is fitted with two pawls to provide extra safety under all operating conditions.



## Specifications



Part Code	A mm	B mm	C mm	D mm	F mm	G mm	H mm	Mass kg
011.120	156	184	157	208	273	51	110	3.7
011.180	203	246	190	319	288	60	110	8.1
011.260	216	294	209	319	307	63	110	10.3

## Specifications

Part Code	011.120	011.180	011.260
Pulling Capacity (lb / kg)	1200lb / 550kg	1800lb / 800kg	2600lb / 1180kg
Hand Operated Strength (N)	180	190	190
Transmission / Gear Ratio	4.2 : 1	5 : 1	10 : 1
Rope Diameter	5 mm	7 mm	8 mm
Rope Capacity (m)	25	25	20

