



Fall Protection

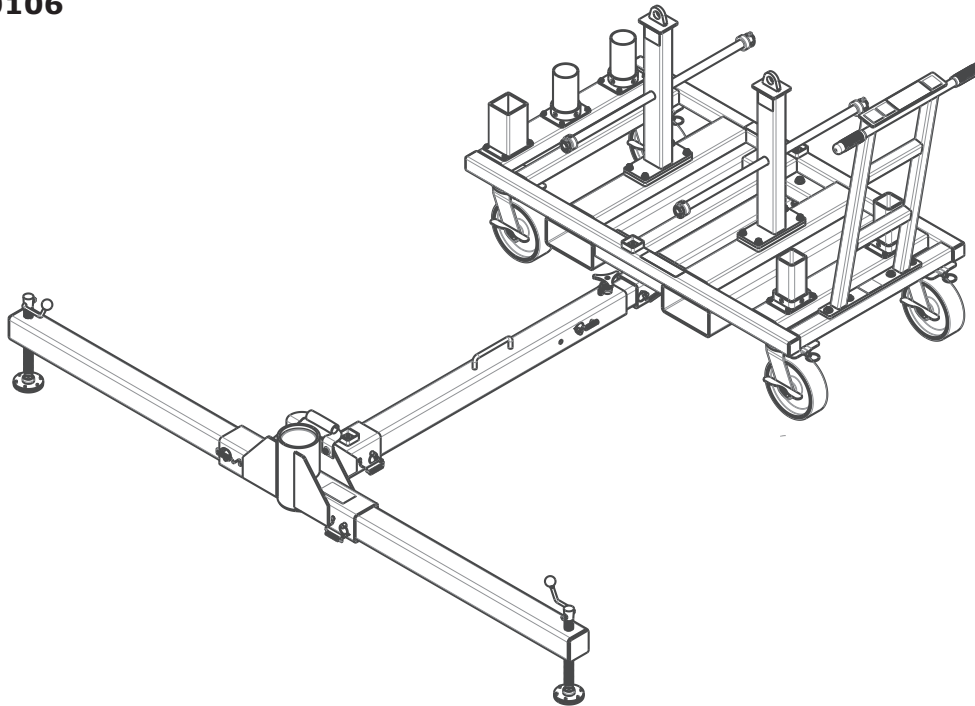
	EN795: 2012 Type B	EN1496:2006 Class B
<b>PPE Regulation (EU) 2016/425</b>		
<b>CE Type Test</b> No. 0086 BSI Kitemark Court Davy Avenue Knowlhill Milton Keynes MK5 8PP United Kingdom	<b>CE Product Quality Control</b> No. 0086 BSI Kitemark Court Davy Avenue Knowlhill Milton Keynes MK5 8PP United Kingdom	 AS/NZS 5532:2013 BMP No. 678539

**CONFINED SPACE ENTRY/RESCUE  
HIGH CAPACITY COUNTERWEIGHT CART**

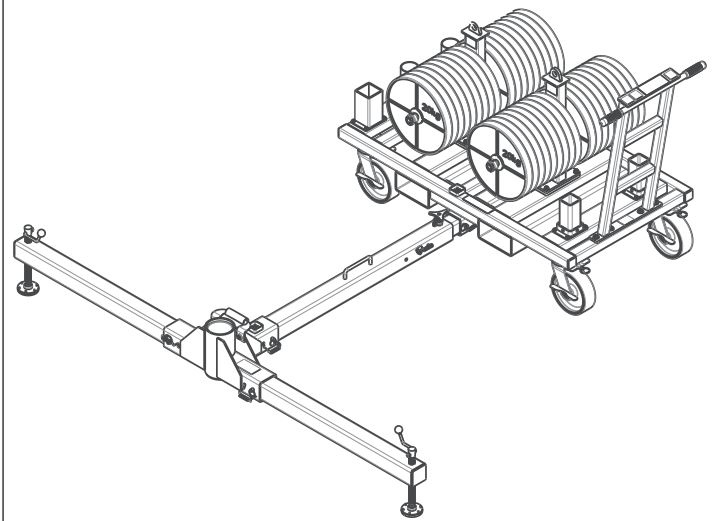
**USER INSTRUCTION MANUAL  
5908362 REV. A**

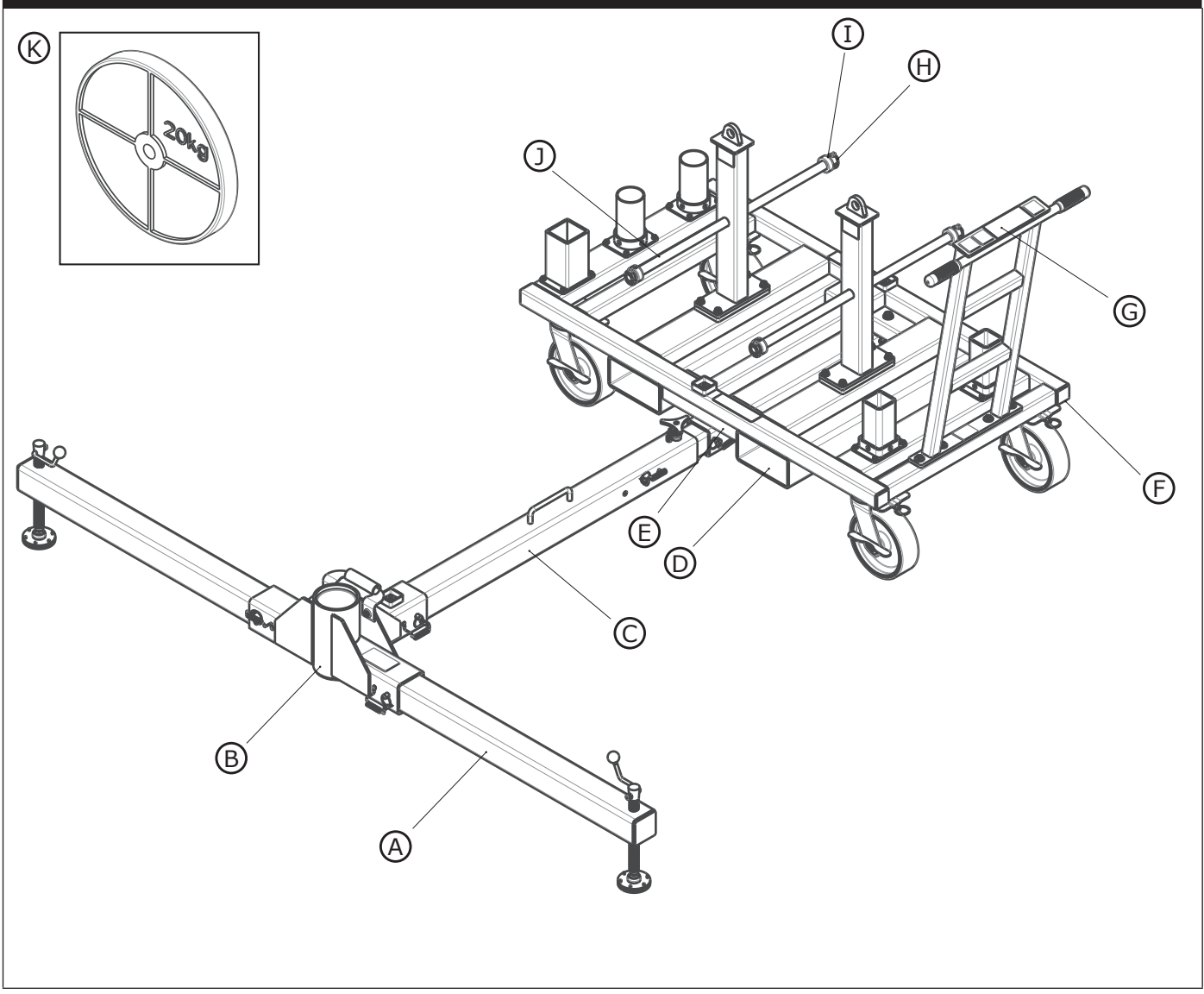
1

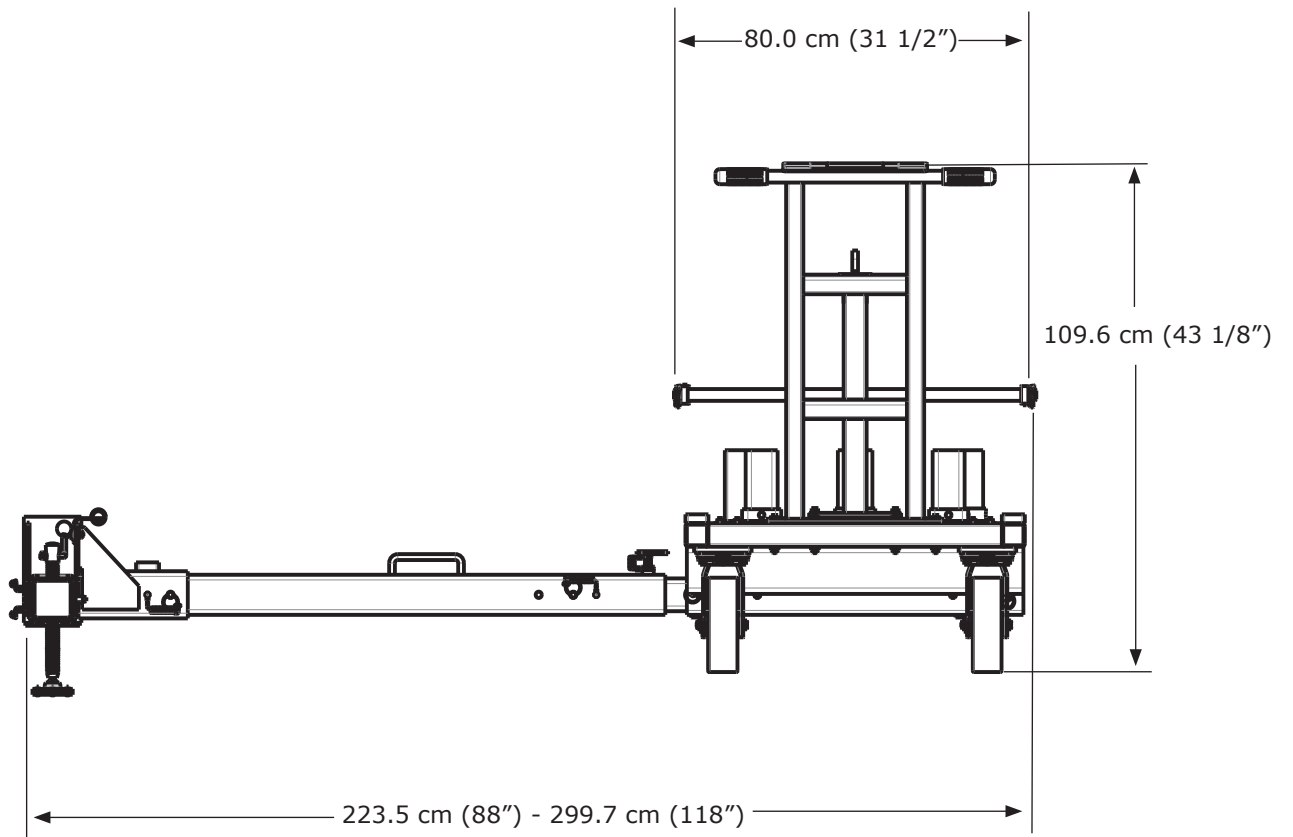
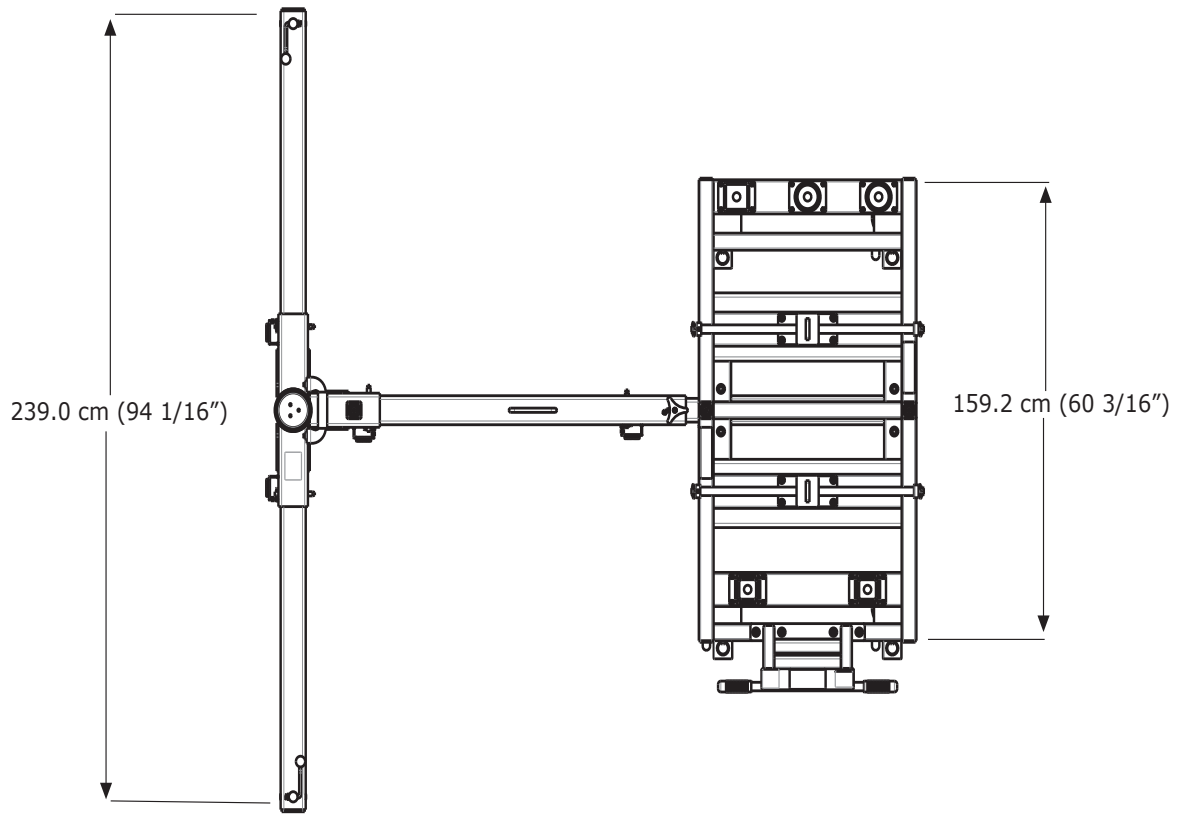
8000106

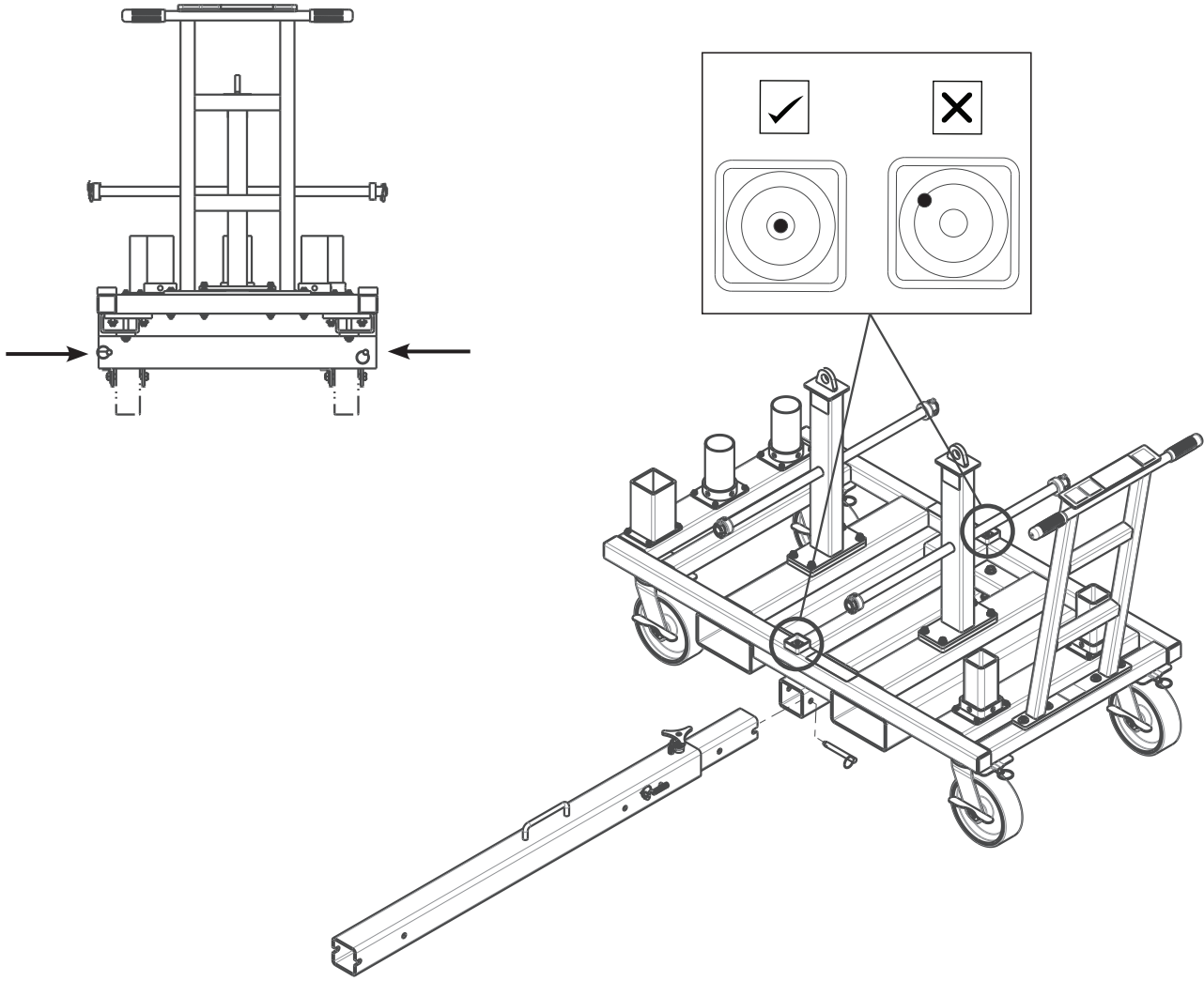


A	B	
20	36cm-71cm (14"-28")	
36	69cm-112cm (27"-44")	
<b>8000123</b>		
AX		

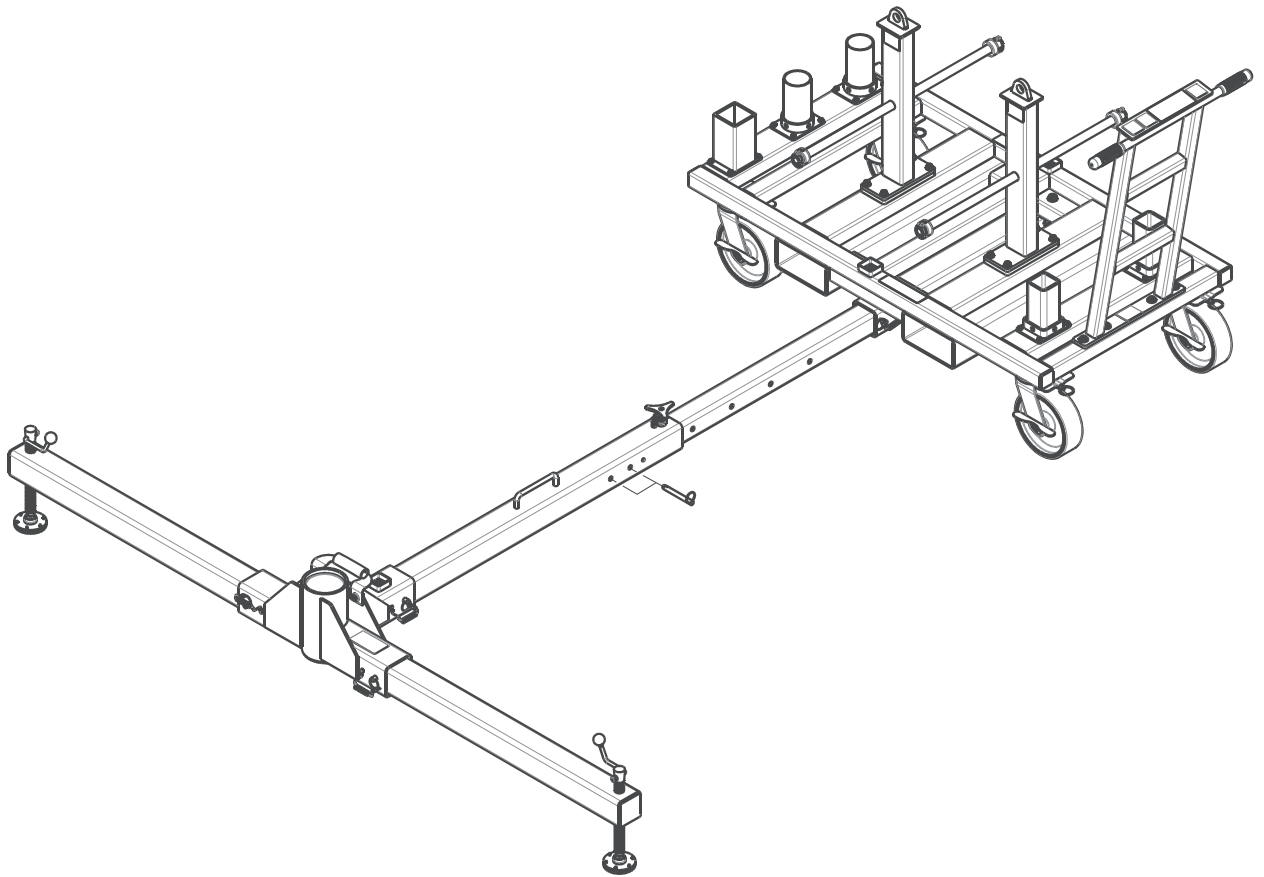
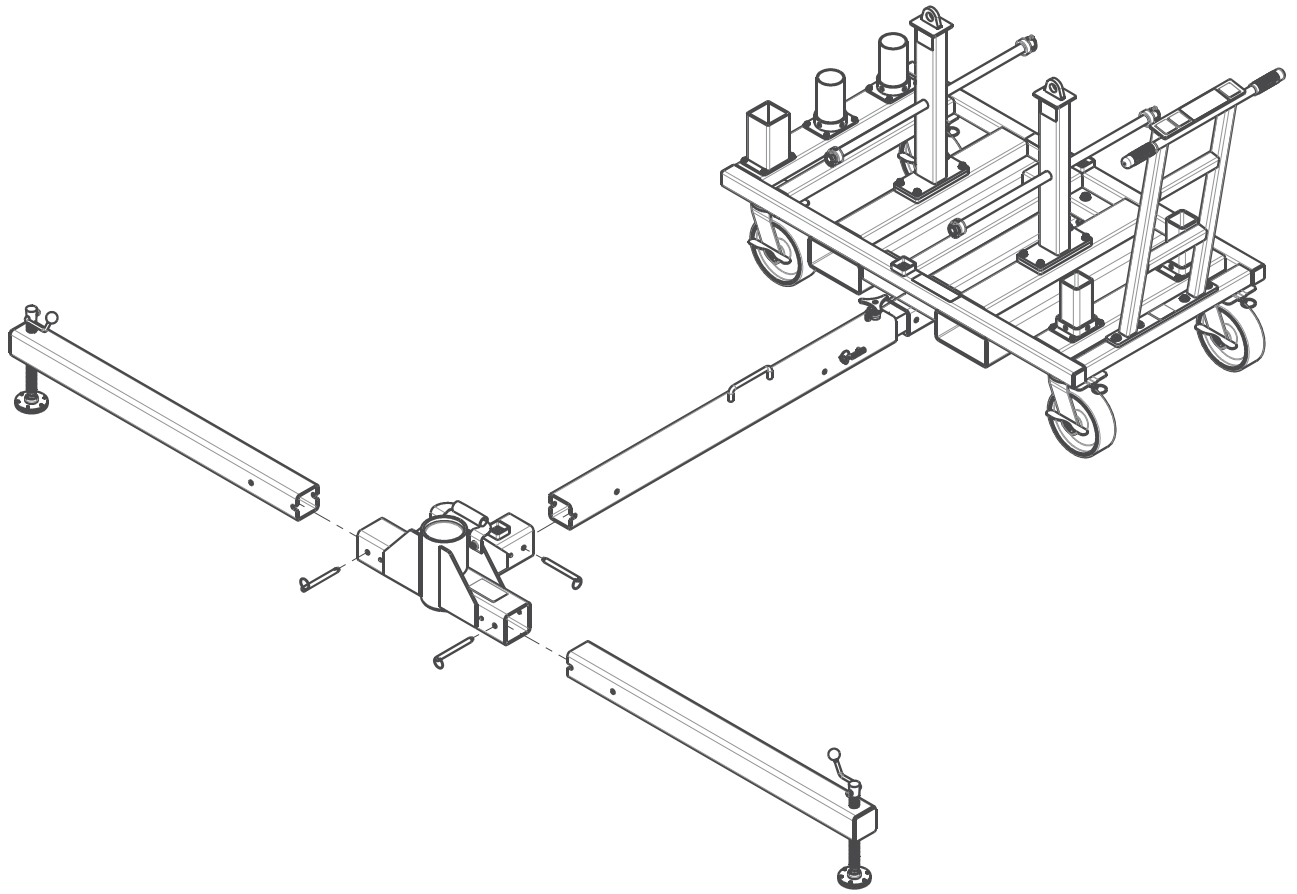




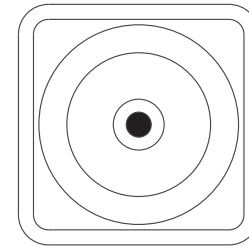
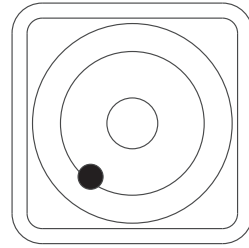
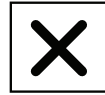
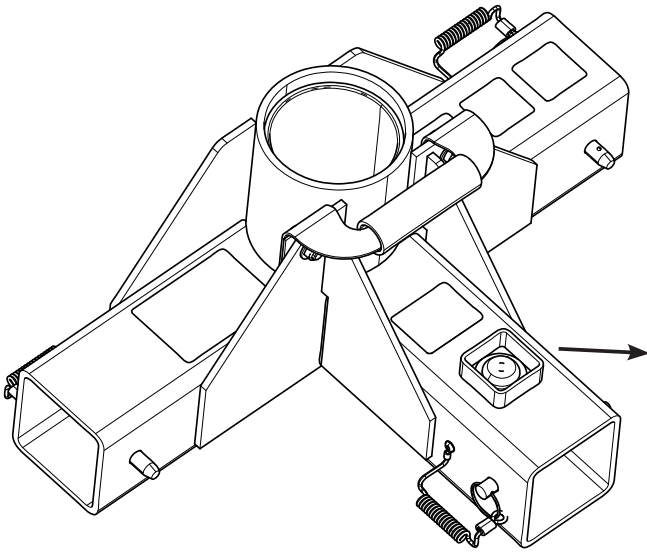




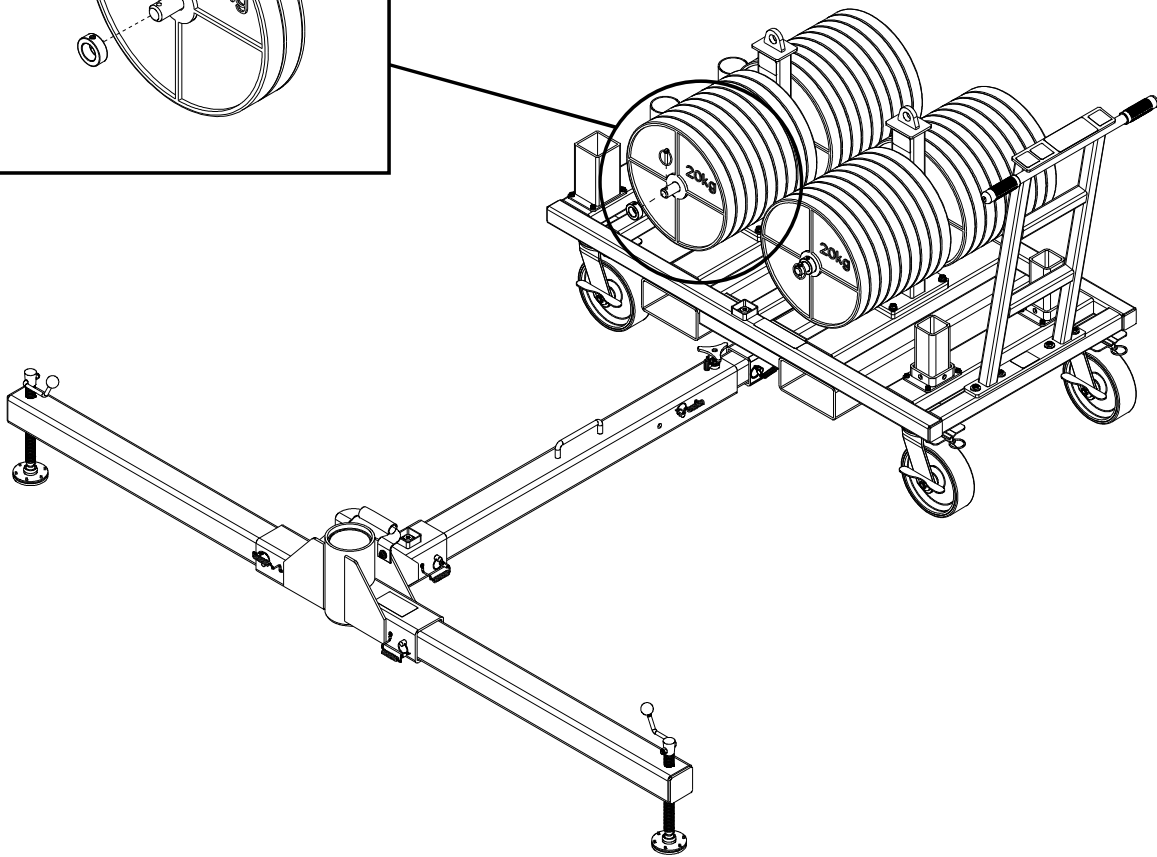
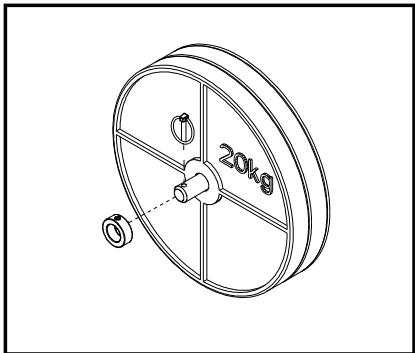


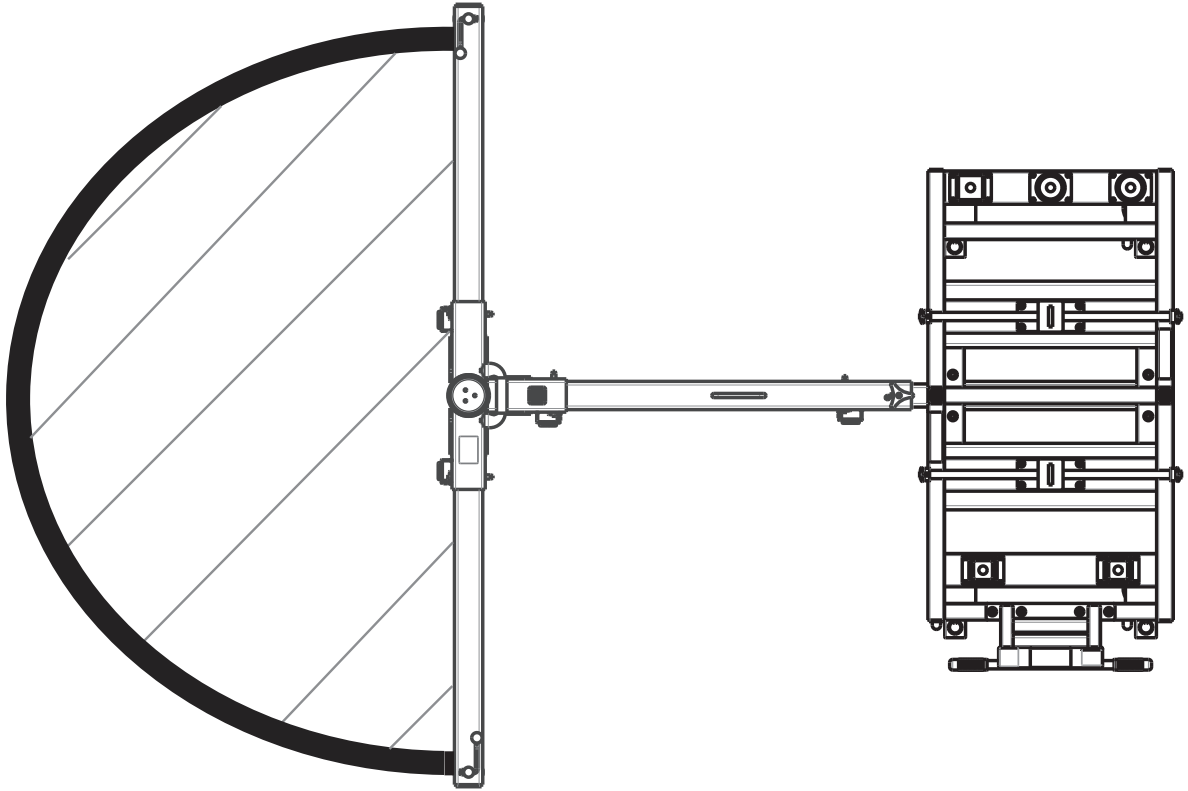


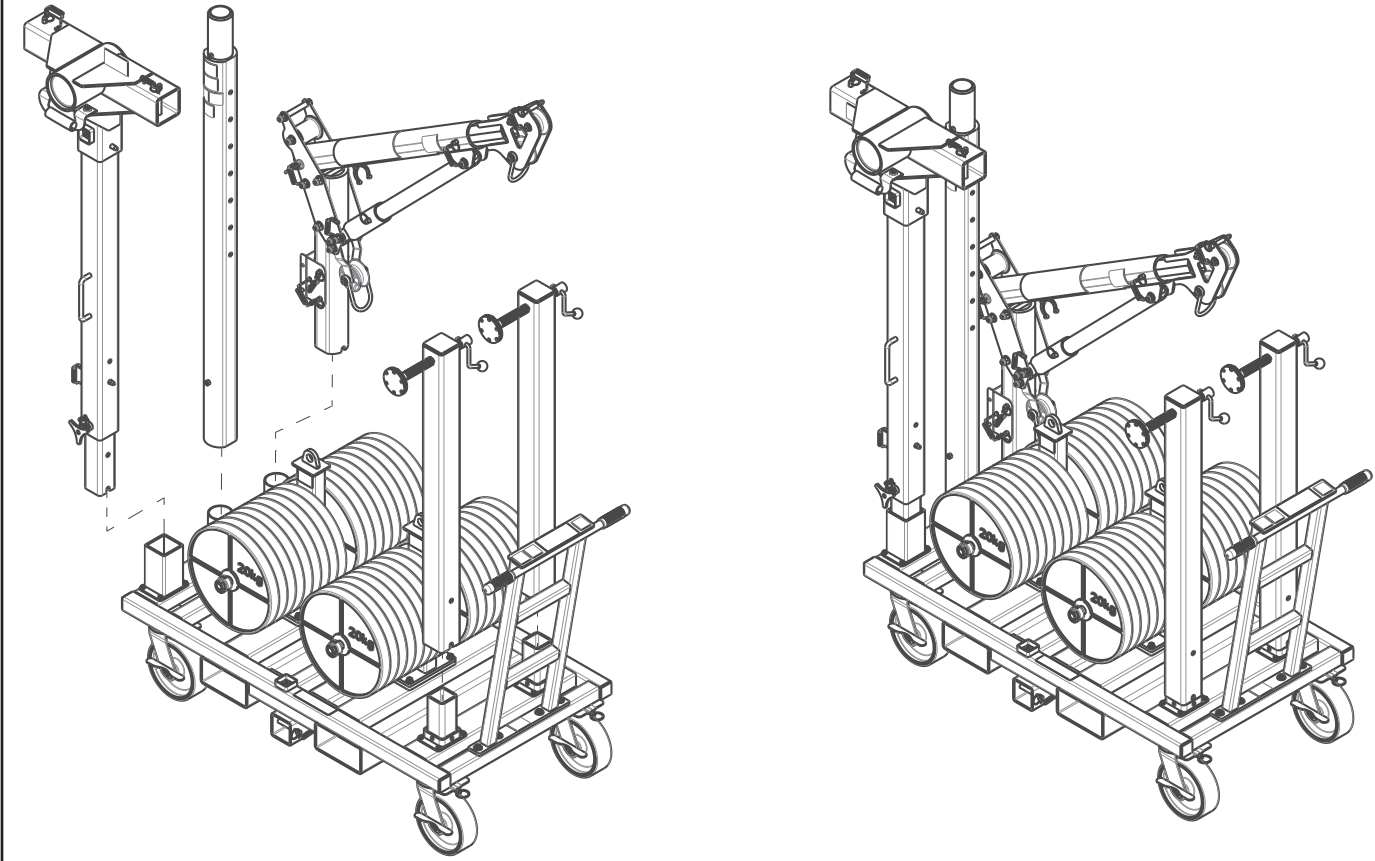
4



5







**1**

**3M** | **DBI SALA**

**CE 0086**

EN795:2012 "TYPE B"  
CEN/TS 16415:2013 "TYPE B"

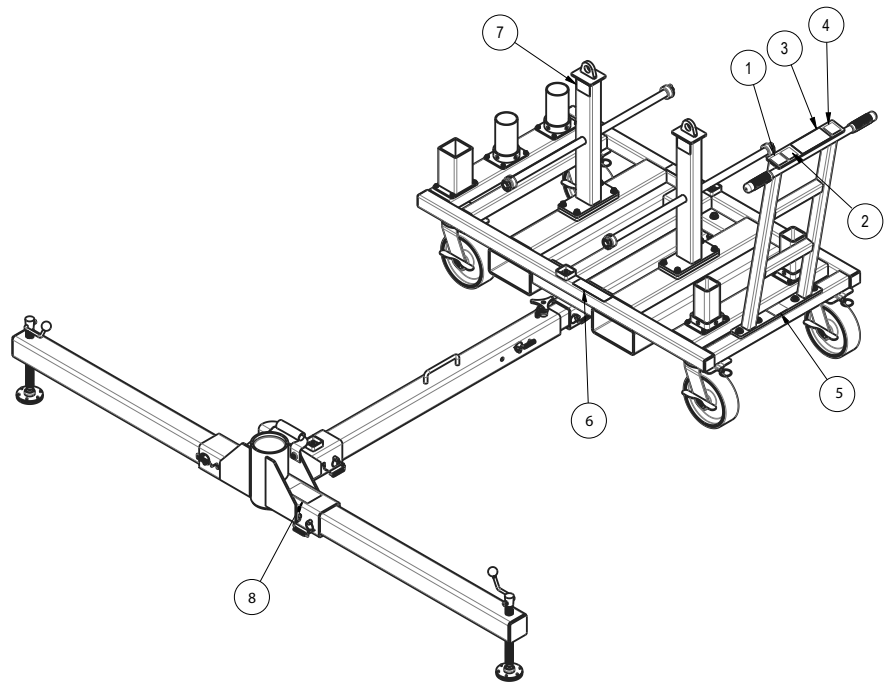
9514304 Rev. B

**2**

**3M** | **DBI SALA**

EN1496:2006  
"CLASS B"

9514607 Rev. A



**3**

	$\geq 20 \times$ 		
	$\geq 36 \times$ 		

$\leq 205 \text{ kg (452 lbs.)}$   
 $\leq 6 \text{ kN (1350 lbs.)}$

9514436 REV D

**4**

**3M** | **DBI SALA**

PRODUCT CERTIFICATION

BSI Certified Product BMP No. 678539

**AS/NZS 5532:2013**  
AUSTRALIAN / NEW ZEALAND STANDARD

9514450 Rev. B

**5**

**3M** | **DBI SALA**

Mfrd. (yr, mo) Model No.:  
Fabr. (aa, mm) N° de Modelo:

3M.com/FallProtection  
Red Wing, MN 55066, USA

Serial no / N° de serie: 9514429 Rev. B

**6**

 x 20	 206 kg [455 lbs.]	<b>= 606 kg [1336 lbs.]</b>	 x 36	 206 kg [455 lbs.]	<b>= 925 kg [2039 lbs.]</b>
----------	-----------------------	-----------------------------	----------	-----------------------	-----------------------------

9514447 REV B

**7**

9514448 REV A

**8**

$X \leq 112 \text{ cm [44" ]}$


$\leq 205 \text{ kg (452 lbs.)}$   
 $\leq 6 \text{ kN (1350 lbs.)}$

9514473 REV B

## SAFETY INFORMATION

**Please read, understand, and follow all safety information contained in these instructions prior to the use of this Confined Space Entry/Rescue Device. FAILURE TO DO SO COULD RESULT IN SERIOUS INJURY OR DEATH.**

**These instructions must be provided to the user of this equipment. Retain these instructions for future reference.**

### Intended Use:

This Confined Space Entry/Rescue Device is intended for use as part of a complete personal fall protection or rescue system.

Use in any other application including, but not limited to, non-approved material handling applications, recreational or sports related activities, or other activities not described in the User Instructions or Installation Instructions is not approved by 3M and could result in serious injury or death.

This device is only to be used by trained users in workplace applications.

### WARNING

This Confined Space Entry/Rescue Device is part of a personal fall protection or rescue system. It is expected that all users be fully trained in the safe installation and operation of the complete system. **Misuse of this device could result in serious injury or death.** For proper selection, operation, installation, maintenance, and service, refer to all Product Instructions and all manufacturer recommendations, see your supervisor, or contact 3M Technical Service.

- **To reduce the risks associated with working with a Confined Space Entry/Rescue Device which, if not avoided, could result in serious injury or death:**
  - Inspect the device before each use, at least annually, and after any fall event. Inspect in accordance with the User Instructions.
  - If inspection reveals an unsafe or defective condition, remove the device from service and repair or replace according to the User Instructions.
  - Any device that has been subject to fall arrest or impact force must be immediately removed from service. Refer to the User Instructions or contact 3M Fall Protection.
  - The device must only be installed in the manner detailed in the Installation Instructions or User Instructions. Installations and use outside the scope of the instruction must be approved in writing by 3M Fall Protection.
  - The substrate or structure to which the device is attached must be able to sustain the static loads specified for the device in the orientations permitted in the User Instructions or Installation Instructions.
  - Do not exceed the number of allowable users.
  - Never work below a suspended load or worker.
  - Use caution when installing, using, and moving the device as moving parts may create potential pinch points. Refer to the User Instructions.
  - Ensure proper lockout/tagout procedures have been followed as applicable.
  - Never attach to a system until it is positioned, fully assembled, adjusted, and installed. Do not adjust the system while a user is attached.
  - Only connect fall protection subsystems to the designated anchorage connection point on the device.
  - Prior to drilling or fastening, ensure no electric lines, gas lines, or other critical embedded systems will be contacted by the drill or the device.
  - Ensure that fall protection systems/subsystems assembled from components made by different manufacturers are compatible and meet the requirements of applicable standards, including the ANSI Z359 or other applicable fall protection codes, standards, or requirements. Always consult a Competent or Qualified Person before using these systems.
- **To reduce the risks associated with working at height which, if not avoided, could result in serious injury or death:**
  - Ensure your health and physical condition allow you to safely withstand all of the forces associated with working at height. Consult with your doctor if you have any questions regarding your ability to use this equipment.
  - Never exceed allowable capacity of your fall protection equipment.
  - Never exceed maximum free fall distance of your fall protection equipment.
  - Do not use any fall protection equipment that fails pre-use or other scheduled inspections, or if you have concerns about the use or suitability of the equipment for your application. Contact 3M Technical Services with any questions.
  - Some subsystem and component combinations may interfere with the operation of this equipment. Only use compatible connections. Consult 3M prior to using this equipment in combination with components or subsystems other than those described in the User Instructions.
  - Use extra precautions when working around moving machinery (e.g. top drive of oil rigs) electrical hazards, extreme temperatures, chemical hazards, explosive or toxic gases, sharp edges, or below overhead materials that could fall onto you or the fall protection equipment.
  - Use Arc Flash or Hot Works devices when working in high heat environments.
  - Avoid surfaces and objects that can damage the user or equipment.
  - Ensure there is adequate fall clearance when working at height.
  - Never modify or alter your fall protection equipment. Only 3M or parties authorized in writing by 3M may make repairs to the equipment.
  - Prior to use of fall protection equipment, ensure a rescue plan is in place which allows for prompt rescue if a fall incident occurs.
  - If a fall incident occurs, immediately seek medical attention for the worker who has fallen.
  - Do not use a body belt for fall arrest applications. Use only a Full Body Harness.
  - Minimize swing falls by working as directly below the anchorage point as possible.
  - If training with this device, a secondary fall protection system must be utilized in a manner that does not expose the trainee to an unintended fall hazard.
  - Always wear appropriate personal protective equipment when installing, using, or inspecting the device/system.

Prior to installation and use of this equipment, record the product identification information from the ID label in the Inspection and Maintenance Log (Table 2) at the back of this manual.

**PRODUCT DESCRIPTION:**

Figure 1 illustrates the 3M™ DBI-SALA® Confined Space Entry/Rescue Counterweight Cart. The Confined Space Counterweighted Cart is designed to be a portable system to be set up and used with a mast of compatible 3M DBI-SALA Confined Space Entry/Rescue Variable Offset Davits. The system uses 20 kg weight plates placed on the weight racks of the cart to be used as counterweight for the system being used for fall arrest and rescue.

Figure 2 illustrates the components of the Counterweight Cart specified in Table 1.

**Table 1 – Specifications**

<b>Component Specifications:</b>		
<b>Figure 2 Reference</b>	<b>Component</b>	<b>Materials</b>
(A)	Leg Assembly	Aluminum- Powder coated Carbon steel- zinc plated
(B)	Center Section	Aluminum- Powder coated High Density polyethylene
(C)	Base Extension	Aluminum- Powder coated Carbon steel-zinc plated
(D)	Fork Pockets	Carbon steel- Powder coated
(E)	Extension Pocket	Aluminum- Powder coated
(F)	Cart Assembly	Carbon steel- Powder coated
(G)	Push Handle	Vinyl
(H)	Weight Plate Locking Pin	Carbon steel- Powder coated
(I)	Locking Collar	Carbon Steel- Powder coated
(J)	Weight Rack	Carbon Steel- Powder coated
(K)	<b>8000123</b> -20 kg Weight Plate (Sold separately)	Carbon Steel- Powder coated

Meet the following specifications if supplying own weight plates. Failing to do so will result in serious injury or death.

<b>Weight Plate Specifications:</b>		
Weight	20 kg (45 lbs)	
Bar opening	25.4 mm (1") - 38.1 mm (1.25")	
Thickness	Maximum 36.5 mm (1.44")	
Diameter	Maximum 457.2 mm (18")	

**Table 1 – Specifications**

<b>System Specifications:</b>	
<b>Working Zone</b>	Rated for fall arrest and rescue in front of legs. See figure 6.
<b>Compatibility</b>	The Davit Bases covered in this instruction are compatible with 3M™ DBI-SALA® High Capacity (HC) Short Reach and Long Reach Davit Systems. Need appropriate amount of weight plates in Figure 1.
<b>System Weight</b>	With plates: (20x)-606 kg (1336 lbs). (36x)-925 kg (2039 lbs).
	Without plates: 206 kg (455 lbs)
<b>Dimensions</b>	See Figure 3 for dimensions of the Counterweight Cart.
<b>Weight Capacities:</b>	
<b>Material Handling Capacity</b>	205 kg (452 lbs)



## 1.0 PRODUCT APPLICATION

- 1.1 PURPOSE:** Davit Bases are designed mounting points for compatible 3M Davit Systems. See the respective Davit System instruction for system use and functionality.
- 1.2 STANDARDS:** This Davit Base conforms to the national or regional standard(s) identified on the front cover of these instructions. If this product is resold outside the original country of destination, the re-seller must provide these instructions in the language of the country in which the product will be used.
- 1.3 INSTALLATION & SUPERVISION:** Installation of the Davit Base must be supervised by a Competent Person<sup>1</sup>. A Qualified Person<sup>2</sup> must verify the structural installation meets local and federal regulations. A Qualified Person must recommend the appropriate fasteners and proper Davit Base placement. Use of the Davit and attached Fall Protection equipment must be supervised by a Competent Person.
- 1.4 SITE DOCUMENTATION:** After assembly and installation of the Davit Bases, Installation Documentation meeting the informational requirements of EN795 Annex A must be completed by the installer and handed over to the user's designated representative. The Installation Documentation should be kept at the job site for purposes of subsequent examination.
- 1.5 TRAINING:** This equipment must be installed and used by persons trained in its correct application. This manual may be used as part of an employee training program and/or regional regulations. It is the responsibility of the users and installers of this equipment to ensure they are familiar with these instructions, trained in the correct care and use of this equipment, and are aware of the operating characteristics, application limitations, and consequences of improper use of this equipment.
- 1.6 RESCUE PLAN:** When using the Davit and connected Fall Protection equipment, the employer must have a rescue plan and means at hand to implement and communicate that plan to users. A trained on-site rescue team is recommended. Team members should be provided with the equipment and techniques to perform a successful rescue. Training should be provided on a periodic basis to ensure rescue proficiency.
- 1.7 INSPECTION FREQUENCY:** The Davit Base shall be inspected by the User before each use and, additionally, by a Competent Person other than the user at intervals of no longer than one year.<sup>3</sup> Inspection procedures are described in the "Inspection and Maintenance Log". Results of each Competent Person inspection should be recorded on copies of the "Inspection and Maintenance Log".

## 2.0 SYSTEM REQUIREMENTS

- 2.1 ANCHORAGE AND FASTENERS:** Any structure and fasteners (fasteners if applicable) used to attach the Davit Base must meet the "Mounting Requirements" defined in Table 1.
- 2.1 COMPONENT COMPATIBILITY:** 3M equipment is designed for use with other 3M-approved components and subsystems only. Substitutions or replacements made with non-approved components or subsystems may jeopardize compatibility of equipment and may affect the safety and reliability of the complete system.
- 2.2 PERSONAL FALL ARREST SYSTEM:** Personal Fall Arrest Systems (PFAS) used with the system must meet applicable Fall Protection standards, codes, and requirements. The PFAS must use a Full Body Harness, and limit Arresting Force to the following values:

	Maximum Arresting Force	Free Fall
PFAS with Shock Absorbing Lanyard	6 kN (1,350 lb)	Refer to the instruction(s) included with your Lanyard or SRD for Free Fall limitations.
PFAS with Self Retracting Device (SRD)	6 kN (1,350 lb)	

- 2.3 HAZARDS:** Use of this equipment in areas with environmental hazards may require additional precautions to prevent injury to the user or damage to the equipment. See the 3M davit mast instruction for specific hazards that may affect system use.

**1 Competent Person:** One who is capable of identifying existing and predictable hazards in the surroundings or working conditions which are unsanitary, hazardous, or dangerous to employees, and who has authorization to take prompt corrective measures to eliminate them.

**2 Qualified Person:** An individual with a recognized degree or professional certificate, and extensive experience in Fall Protection. This individual must be capable of design, analysis, evaluation, and specification in Fall Protection.

**3 Inspection Frequency:** Extreme working conditions (harsh environments, prolonged use, etc.) may require increasing the frequency of competent person inspections.

### 3.0 INSTALLATION

**3.1 PLANNING:** Plan your fall protection system prior to installation of the Counterweight Cart. Account for all factors that may affect your safety before, during, and after a fall. Consider all requirements defined in Section 2 and Table 1 to determine the correct vehicle and placement of the Counterweight Cart.

**3.2 ASSEMBLY AND SET UP:** See Figure 4.

1. Place cart on flat surface. Check the level bubbles on cart and ensure the bubbles are centered.
2. Insert Base Extension into either side of the Extension Pocket; pin into place and tighten tri-screw.
3. Insert Center Section into Base Extension and pin into place.
4. Insert both Leg Assemblies into Center Section and pin into place.
5. To adjust length of Base Extension, remove locking pin and loosen tri-screw by rotating counterclockwise.
6. Extend front section of the base outward away from the cart.
7. Insert Locking Pin and re-tighten tri-screw by turning clockwise.
8. Level the system by adjusting the leveling feet on the Leg Assemblies until level bubble is centered.
9. Add the appropriate amount of weight plates to the cart according to what HC Davit is being used. See Figure 1.
10. Slide Locking Collar against the weight plates on all 4 sides of the Weight Rack and fasten using hex wrench to keep plates from moving. See Figure 5.
11. Insert locking pin into the Weight Rack. See Figure 5.

*Lifting rings not for fall arrest, overhead lifting only.*

### 4.0 USE

**4.1 BEFORE EACH USE:** Verify that your work area and Personal Fall Arrest System (PFAS) meet all criteria defined in Section 2 and a formal Rescue Plan is in place. Inspect the Counterweight Cart per the 'User' inspection points defined on the "Inspection and Maintenance Log" 2. If inspection reveals an unsafe or defective condition, do not use the system. Remove the system from service and destroy, or contact 3M regarding replacement or repair.

**4.2 DURING USE:**

*Caster Wheel should be locked.*

*Connect to both rings when lifting cart.*

*Collar shaft and linch pin must be fastened and engage after the weights have been placed on the racks on all 4 sides when using and transporting. See Figure 5.*

**4.3 TRANSPORTING/AFTER USE:**

*Parts must be stowed on the cart during transportation. See Figure 7.*

*Include Forklift Pockets.*

*Cart includes lifting rings to be used with overhead crane. Lifting device must be connected to both lifting rings on the cart.*

### 5.0 INSPECTION

**5.1 INSPECTION FREQUENCY:** The Counterweight Cart must be inspected at the intervals defined in Section 1. Inspection procedures are described in the 'Inspection and Maintenance Log' 2. Inspect all other components of the Fall Protection System per the frequencies and procedures defined in the manufacturer's instructions.

**5.2 DEFECTS:** If inspection reveals an unsafe or defective condition, remove the Counterweight Cart from service immediately and contact 3M regarding replacement or repair. Do not attempt to repair the Fall Arrest System.

**Authorized Repairs Only:** *Only 3M or parties authorized in writing may make repairs to this equipment.*










**5.3 PRODUCT LIFE:** The functional life of the Fall Arrest System is determined by work conditions and maintenance. As long as the product passes inspection criteria, it may remain in service.

## 6.0 MAINTENANCE, SERVICING, STORAGE

- 6.1 CLEANING:** Periodically clean the Counterweight Cart's metal components with a soft brush, warm water, and a mild soap solution. Ensure parts are thoroughly rinsed with clean water.
- 6.2 SERVICE:** Only 3M or parties authorized in writing by 3M may make repairs to this equipment. If the Davit Base has been subject to fall force or inspection reveals an unsafe or defective conditions, remove the system from service and contact 3M regarding replacement or repair.
- 6.3 STORAGE AND TRANSPORT:** When not in use, store and transport the Counterweight Cart and associated fall protection equipment in a cool, dry, clean environment out of direct sunlight. Avoid areas where chemical vapors may exist. Thoroughly inspect components after extended storage.

## 7.0 LABELS

Figure 8 illustrates labels on the Counterweight Cart. Labels must be replaced if they are not fully legible. Information provided on each label is as follows:

	Read all instructions.
	CE Standards Certification
	Meets EN1496:2012 testing requirements
	Counterweight Cart system and plate specifications
	AS/NZS Standards Certification
	A) Manufactured (Year, Month) B) Model Number C) Serial Number
	Weight of cart and plate specifications
	Lifting only warning
	A) Maximum Davit Arm Offset B) Rated for material handling of 205 kg (452 lbs) C) Personal Fall Arrest System (PFAS) Maximum Arresting Force (MAF) $\leq 6$ kN (1,350 lbs)

**Table 3 – Inspection and Maintenance Log**

<b>Inspection Date:</b>		<b>Inspected By:</b>	
<b>Components:</b>	<b>Inspection:</b> (See Section 1 for <i>Inspection Frequency</i> )	<b>User</b>	<b>Competent Person<sup>1</sup></b>
Counterweight Cart (Figure 1 )	Inspect the Counterweight Cart for cracks, dents, or deformities.	<input type="checkbox"/>	<input type="checkbox"/>
	Inspect the entire unit for corrosion.	<input type="checkbox"/>	<input type="checkbox"/>
Labels (Figures 8 and 9)	Verify that all labels are securely attached and are legible (see ' <i>Labels</i> ')	<input type="checkbox"/>	<input type="checkbox"/>
PFAS and Other Equipment	Additional Personal Fall Arrest System (PFAS) equipment (harness, SRL, etc) that are used with the Wall Mount Davit Base should be installed and inspected per the manufacturer's instructions.	<input type="checkbox"/>	<input type="checkbox"/>

<b>Serial Number(s):</b>	<b>Date Purchased:</b>
<b>Model Number:</b>	<b>Date of First Use:</b>

<b>Corrective Action/Maintenance:</b>	Approved By:
	Date:
<b>Corrective Action/Maintenance:</b>	Approved By:
	Date:
<b>Corrective Action/Maintenance:</b>	Approved By:
	Date:
<b>Corrective Action/Maintenance:</b>	Approved By:
	Date:
<b>Corrective Action/Maintenance:</b>	Approved By:
	Date:
<b>Corrective Action/Maintenance:</b>	Approved By:
	Date:
<b>Corrective Action/Maintenance:</b>	Approved By:
	Date:
<b>Corrective Action/Maintenance:</b>	Approved By:
	Date:
<b>Corrective Action/Maintenance:</b>	Approved By:
	Date:
<b>Corrective Action/Maintenance:</b>	Approved By:
	Date:
<b>Corrective Action/Maintenance:</b>	Approved By:
	Date:
<b>Corrective Action/Maintenance:</b>	Approved By:
	Date:
<b>Corrective Action/Maintenance:</b>	Approved By:
	Date:

**1 Competent Person:** One who is capable of identifying existing and predictable hazards in the surroundings or working conditions which are unsanitary, hazardous, or dangerous to employees, and who has authorization to take prompt corrective measures to eliminate them.

# BEZPEČNOSTNÍ INFORMACE

Před použitím tohoto zařízení pro vstup do omezeného prostoru/záchranu z omezeného prostoru si prosím přečtěte, pochopte a dodržujte veškeré bezpečnostní informace obsažené v této příručce. V OPAČNÉM PŘÍPADĚ MŮŽE DOJÍT K VÁŽNÉMU ÚRAZU ČI ÚMRTÍ.

Tyto pokyny musejí být předány uživateli tohoto zařízení. Nechte si tyto instrukce pro budoucí nahlédnutí.

## Zamýšlené použití:

Toto zařízení pro vstup do omezeného prostoru/záchranu z omezeného prostoru je určeno pro použití jako součást kompletního systému pro ochranu osob proti pádu nebo vytahovacího systému.

Jiné použití, mimo jiné včetně manipulace s neschváleným materiálem, rekreačních činností nebo činností souvisejících se sportem nebo jiných činností, které nejsou popsány v uživatelské příručce nebo pokynech pro instalaci, není schváleno společností 3M a může mít za následek vážný úraz či úmrtí.

Toto zařízení mohou používat pouze vyškolení uživatelé na pracovišti.

## VAROVÁNÍ

Toto zařízení pro vstup do omezeného prostoru/záchranu z omezeného prostoru je součástí systému pro ochranu osob proti pádu nebo vytahovacího systému. Očekává se, že všichni uživatelé budou řádně zaškoleni ohledně bezpečné instalace a provozu celého systému. **Nesprávné použití tohoto zařízení může mít za následek vážný úraz či úmrtí.** Pro správný výběr, provoz, instalaci, údržbu a servis nahlédněte do všech uživatelských příruček a všech doporučení výrobce, obraťte se na svého nadřízeného nebo kontaktujte technický servis 3M.

- **Ke snížení rizik spojených s prací se zařízením pro vstup do omezeného prostoru/záchranu z omezeného prostoru, která mohou mít, pokud jim nezabráníte, za následek vážný úraz či úmrtí, dodržujte tato opatření:**
  - Všechny součásti záchranného prostředku zkontrolujte před každým použitím (alespoň jednou ročně) a po každém pádu. Při kontrole postupujte podle uživatelské příručky.
  - Pokud kontrola odhalí nebezpečný nebo závadný stav, vyřadte zařízení z činnosti a opravte nebo vyměňte podle pokynů v uživatelské příručce.
  - Pokud bylo zařízení vystaveno záhytné síle nebo síle způsobené pádem, musí být okamžitě vyřazeno z provozu. Seznamte se s pokyny pro uživatele, případně se obraťte na společnost 3M Fall Protection.
  - Zařízení je třeba instalovat výhradně způsobem popsaným v pokynech pro instalaci nebo v pokynech pro uživatele. Instalaci a používání mimo rozsah pokynů musí písemně schválit 3M Fall Protection.
  - Podklad nebo konstrukce, k nimž se zařízení připojuje, musí být schopné odolat statickému zatížení specifikovanému pro zařízení ve směrech povolených v pokynech pro uživatele nebo pokynech k instalaci.
  - Dodržujte maximální počet povolených uživatelů.
  - Nikdy nepracujte pod zavěšenou zátěží nebo pracovníky.
  - Při instalaci, používání a přesouvání zařízení postupujte opatrně, neboť pohyblivé součásti mohou představovat potenciální místa uskrípnutí. Seznamte se s pokyny pro uživatele.
  - Dbejte na dodržování správných postupů uzamykání/připevňování.
  - Nikdy se nepřipojujte k systému, dokud není na místě, kompletně sestaven, upraven a nainstalován. Neupravujte systém, je-li k němu připojený uživatel.
  - Subsystémy pro ochranu proti pádu připojujte pouze k vyhrazenému bodu ukotvení na zařízení.
  - Před vrtáním nebo připevňováním se ujistěte, že se vrtačka ani zařízení nemohou dostat do kontaktu s elektrickým vedením, plynovým potrubím nebo jinými důležitými vestavěnými systémy.
  - Zajistěte, aby systémy/subsystémy proti pádu sestavené ze součástí vyrobených různými výrobci, byly kompatibilní a splňovaly požadavky platných norem, včetně ANSI Z359 nebo jiných platných předpisů, norem nebo požadavků na ochranu proti pádu. Před použitím těchto systémů se vždy poraďte s kompetentní nebo oprávněnou osobou.
- **Pro snížení rizik spojených s prací ve výškách, která mohou mít, pokud jim nezabráníte, za následek vážný úraz či úmrtí:**
  - Ujistěte se, že vám váš zdravotní stav a fyzická kondice umožňují bezpečně vydržet veškerou námahu spojenou s prací ve výškách. Pokud máte nějaké dotazy týkající se vaší schopnosti používat toto zařízení, poraďte se se svým lékařem.
  - Nikdy nepřekračujte přípustnou kapacitu vašeho záhytného zařízení.
  - Nikdy nepřekračujte maximální délku volného pádu vašeho záhytného zařízení.
  - Nepoužívejte záhytná zařízení, která neprojdou kontrolou před použitím nebo jinou naplánovanou kontrolou, nebo pokud máte obavy ohledně vhodnosti zařízení pro vaše použití. S případnými dotazy kontaktujte technický servis 3M.
  - Některé kombinace subsystémů a součástí mohou narušovat provoz tohoto zařízení. Používejte pouze kompatibilní připojení. Pokud chcete toto vybavení používat v kombinaci s jinými součástmi nebo subsystémy, než které jsou popsány v této příručce, obraťte se na společnost 3M.
  - Buďte zvláště opatrní při práci u pohyblivých strojů (např. horní pohon vrtných plošin), v prostředí s nebezpečím úrazu elektrickým proudem, s extrémními teplotami, chemickým nebezpečím, výbušnými nebo toxickými plyny, ostrými hranami nebo pod stropními materiály, které by mohly spadnout na vás nebo vaše záhytné zařízení.
  - Při práci v prostředí s vysokými teplotami použijte zařízení proti obloukovému výboji a pro práci za tepla.
  - Vyhněte se povrchům a předmětům, které mohou poranit uživatele nebo poškodit zařízení.
  - Při práci ve výškách zajistěte dostatečnou délku pádu.
  - Nikdy své záhytné zařízení neupravujte ani neměňte. Opravy tohoto zařízení může provádět pouze společnost 3M nebo třetí strany s písemným oprávněním společnosti 3M.
  - Před použitím záhytného zařízení se ujistěte, že je zaveden záchranný plán, který umožňuje rychlou záchranu, pokud dojde k pádu.
  - Pokud dojde k pádu, okamžitě vyhledejte pracovníkovi, který spadl, lékařskou pomoc.
  - Pro jištění proti pádu nepoužívejte pás na tělo. Používejte pouze celotělový postroj.
  - Minimalizujte riziko výkyvu při pádu tím, že budete pracovat co nejbližší kotevnímu bodu.
  - Při školení ohledně tohoto zařízení musí být použit sekundární systém zajištění proti pádu, a to takovým způsobem, který školeného pracovníka nevystaví nežádoucímu nebezpečí pádu.
  - Při instalaci, používání nebo kontrole zařízení/systému vždy noste vhodné osobní ochranné pomůcky.

Před instalací a použitím tohoto vybavení zapište výrobní identifikační údaje z identifikačního štítku do Deníku kontrol a údržby (tabulka 2) na zadní straně tohoto návodu.

## POPIS PRODUKTU:

Na obrázku 1 je uveden vozík s protizávažím 3M™ DBI-SALA® na ochranu proti pádu při vstupu do a vyprošťování ze stísněných prostor. Vozík s protizávažím pro vyprošťování ze stísněných prostor je mobilní systém, který lze nainstalovat a používat se stožárem kompatibilních 3M DBI-SALA ramen s nastavitelným vyložením na ochranu proti pádu při vstupu do a vyprošťování ze stísněných prostor. Tento systém využívá desková závaží o hmotnosti 20 kg, která jsou umístěna v držácích závaží na vozíku. Slouží jako protizávaží na ochranu před pádem a při záchraně.

Na obrázku 2 jsou uvedeny součásti vozíku s protizávažím popsané v tabulce 1.

**Tabulka 1 – technické údaje**

Technické údaje součástí:		
Reference k obrázku 2	Součást	Materiály
Ⓐ	Sestava ramen	Hliník s práškovanou povrchovou úpravou Pozinkovaná uhlíková ocel
Ⓑ	Středová část	Hliník s práškovanou povrchovou úpravou Polyetylen o vysoké hustotě
Ⓒ	Nástavec základny	Hliník s práškovanou povrchovou úpravou Pozinkovaná uhlíková ocel
Ⓓ	Kapsy pro vidlice	Uhlíková ocel s práškovanou povrchovou úpravou
Ⓔ	Kapsa pro nástavec	Hliník s práškovanou povrchovou úpravou
Ⓕ	Sestava vozíku	Uhlíková ocel s práškovanou povrchovou úpravou
Ⓖ	Tlačná rukojeť	Vinyl
Ⓥ	Pojistný kolík deskového závaží	Uhlíková ocel s práškovanou povrchovou úpravou
Ⓘ	Pojistný kroužek	Uhlíková ocel s práškovanou povrchovou úpravou
Ⓙ	Držák závaží	Uhlíková ocel s práškovanou povrchovou úpravou
Ⓚ	<b>8000123</b> -20kg deska závaží (prodává se samostatně)	Uhlíková ocel s práškovanou povrchovou úpravou

Využíváte-li vlastní desková závaží, dodržujte následující specifikace. V opačném případě může dojít k vážnému zranění nebo smrtelnému úrazu.

### Specifikace deskových závaží:

Hmotnost	20 kg (45 liber)	
Otvor pro tyč	25,4 mm (1") – 38,1 mm (1,25")	
Tloušťka	Max. 36,5 mm (1,44")	
Průměr	Max. 457,2 mm (18")	

**Tabulka 1 – technické údaje**

<b>Technické údaje systému:</b>	
<b>Pracovní oblast</b>	Dimenzováno pro jištění proti pádu a pro záchranu před rameny. Viz obrázek 6.
<b>Kompatibilita</b>	Základny zdvihacího systému popsané v těchto pokynech jsou kompatibilní s 3M™ DBI-SALA® velkokapacitními (HC) zdvihacími systémy s krátkým a dlouhým vyložením. Vyžaduje odpovídající množství desek závaží na obrázku 1.
<b>Hmotnost systému</b>	S deskami: (20x)-606 kg (1336 liber), (36x)-925 kg (2039 liber).
	Bez desek: 206 kg (455 liber)
<b>Rozměry</b>	Rozměry vozíku s protizávažím viz obrázek 3.
<b>Nosnosti:</b>	
<b>Nosnost materiálu</b>	205 kg (452 liber)

## 1.0 POUŽITÍ VÝROBKU

- 1.1 ÚČEL:** Základny zdvihacích systémů jsou konstruované montážní body pro kompatibilní 3M zdvihací systémy. Informace o použití a funkcích systému najdete v pokynech k příslušnému zdvihacímu systému.
- 1.2 NORMY:** Tato základna zdvihacího systému vyhovuje národním a regionálním normám uvedeným na přední straně obálky této příručky. Pokud bude tento produkt prodáván mimo původní cílovou zemi, pak prodejce musí tuto příručku poskytnout v jazykové verzi země, ve které se bude produkt používat.
- 1.3 INSTALACE A DOHLED:** Na instalaci základny zdvihacího systému musí dohlížet kompetentní osoba<sup>1</sup>. Kvalifikovaná osoba<sup>2</sup> musí ověřit, zda strukturní instalace splňuje místní a federální předpisy. Kvalifikovaná osoba musí doporučit vhodný upevňovací materiál a řádné umístění základny zdvihacího systému. Na používání zdvihacího systému a připevněného vybavení na ochranu proti pádu musí dohlížet kompetentní osoba.
- 1.4 DOKUMENTACE NA PRACOVIŠTI:** Po sestavení a instalaci základny zdvihacích systémů musí instalátor vyplnit dokumentaci o instalaci dle mezinárodních požadavků přílohy A normy EN795 a předat ji určenému zástupci uživatele. Dokumentace o instalaci musí být uchovávána na pracovišti pro účely pozdější kontroly.
- 1.5 ŠKOLENÍ:** Toto zařízení musí být instalováno a používáno osobami, které byly vyškoleny pro jeho správné používání. Tuto příručku lze použít jako součást školicího programu zaměstnanců a/nebo místních předpisů. Uživatelé a montážní technici jsou odpovědní za zajištění toho, že budou obeznámeni s těmito pokyny, vyškoleni ve správné údržbě a používání tohoto zařízení a budou znát provozní vlastnosti, omezení pro použití a následky nesprávného používání tohoto zařízení.
- 1.6 ZÁCHRANNÝ PLÁN:** Při používání tohoto zdvihacího systému a vybavení na ochranu proti pádu musí mít zaměstnavatel připraven záchranný plán a záchranné prostředky k použití a tento plán předat uživatelům. Doporučuje se využití vyškoleného záchranného týmu na pracovišti. Členové týmu musí mít k dispozici vybavení a techniky k provedení úspěšné záchrany. Aby byla zajištěna odbornost záchrannářů, musí být školení prováděno v pravidelných intervalech.
- 1.7 ČETNOST KONTROL:** Základny zdvihacího systému musí být uživatelem zkontrolována před každým použitím a kromě toho kompetentní osobou jinou než uživatelem, v intervalech maximálně jednoho roku.<sup>3</sup> Kontrolní postupy jsou popsány v „Deníku kontrol a údržby“. Výsledky všech kontrol prováděných kompetentní osobou musí být zaznamenávány na kopiích „Deníku kontrol a údržby“.

## 2.0 POŽADAVKY NA SYSTÉM

- 2.1 UKOTVENÍ A UPEVNŮVACÍ MATERIÁL:** Všechny struktury a upevňovací materiály (případně upevňovací materiál) použité k připevnění základny zdvihacího systému musí splňovat „Požadavky na montáž“ definované v tabulce 1.
- 2.1 VLASTNOSTI SOUČÁSTÍ:** Vybavení 3M je určeno k používání výhradně se součástmi a subsystémy schválenými společností 3M. Záměny a náhrady za použití neschválených prvků a dílčích systémů mohou ohrozit kompatibilitu zařízení a případně též nepříznivě ovlivnit bezpečnost a spolehlivost celého systému.
- 2.2 SYSTÉM ZACHYCENÍ PÁDU OSOB:** Systémy zachycení pádu osob (PFAS) používané s tímto systémem musí splňovat platné normy, předpisy a požadavky na ochranu proti pádu. PFAS musí využívat celotělový postroj a musí omezovat záchytnou sílu na následující hodnoty:

	Maximální záchytná síla	Volný pád
PFAS s lanem absorbujícím náraz	6 kN (1 350 liber)	Omezení volného pádu najdete v pokynech přiložených k lanu nebo SRD.
PFAS se samonavíjecím záchytným zařízením (SRD)	6 kN (1 350 liber)	

- 2.3 RIZIKA:** Používání tohoto vybavení v nebezpečném prostředí si možná vyžádá další předběžná opatření, aby nedošlo k úrazu uživatele nebo poškození vybavení. Informace o konkrétních rizicích, která mohou negativně ovlivnit používání systému, najdete v pokynech ke 3M stožáru zdvihacího systému.

<sup>1</sup> **Kompetentní osoba:** Osoba schopná identifikovat existující a předvídatelné nebezpečí v okolí nebo v podmínkách práce, které jsou pro pracovníky zdravotně závadné, rizikové nebo nebezpečné, pověřená přijímat okamžitá nápravná opatření k jejich odstranění.

<sup>2</sup> **Kvalifikovaná osoba:** Jednotlivec s uznávaným titulem nebo profesním osvědčením a rozsáhlými znalostmi v oblasti ochrany proti pádu. Tato osoba musí být schopna provést návrh, analýzu, hodnocení a specifikaci v oblasti ochrany proti pádu.

<sup>3</sup> **Četnost kontrol:** Extrémní pracovní podmínky (nepříznivé prostředí, dlouhodobé používání atd.) si mohou vyžádat častější kontroly kompetentní osobou.



### 3.0 INSTALACE

**3.1 PLÁNOVÁNÍ:** Systém jištění proti pádu si naplánujte ještě před instalací vozíku s protizávažím. Vezměte v úvahu veškeré faktory, které mohou ovlivnit vaši bezpečnost před pádem, v průběhu pádu a po pádu. Zvažte všechny požadavky definované v oddílu 2 a tabulce 1 pro určení správného vozidla a osazení vozíku s protizávažím.

**3.2 SESTAVENÍ A INSTALACE:** Viz obrázek 4.

1. Umístěte vozík na rovný povrch. Zkontrolujte, zda se bubliny ve vodováhách na vozíku nacházejí uprostřed.
2. Zasuňte nástavec základny do libovolné strany kapsy na nástavec; zajistěte kolíkem a utáhněte trojkřídlý šroub.
3. Zasuňte středovou část do nástavce základny a zajistěte ji kolíkem.
4. Zasuňte obě sestavy ramen do středové části a zajistěte je kolíkem.
5. Chcete-li upravit délku nástavce základny, vytáhněte pojistný kolík a uvolněte trojkřídlý šroub otáčením proti směru hodinových ručiček.
6. Vysuňte přední část základny směrem ven z vozíku.
7. Zasuňte pojistný kolík a znovu utáhněte trojkřídlý šroub otáčením po směru hodinových ručiček.
8. Vyvažte systém nastavením vyvažovacích patek na sestavách ramen tak, aby se bublina vodováhy nacházela uprostřed.
9. Nainstalujte na vozík odpovídající počet deskových závaží podle použitého vysokokapacitního zvedacího systému. Viz obrázek 1.
10. Navlékněte na všechny 4 strany držáku závaží pojistné kroužky deskových závaží a dotáhněte je šestihřanným klíčem, aby se desky nemohly hýbat. Viz obrázek 5.
11. Zasuňte do držáku závaží pojistný kolík. Viz obrázek 5.

*Závěsná oka nejsou určena k jištění proti pádu, ale pouze ke zvedání visutým jeřábem.*

### 4.0 POUŽITÍ

**4.1 PŘED KAŽDÝM POUŽITÍM:** Ověřte, zda vaše pracoviště a systém zachycení pádu osob (PFAS) splňují všechny podmínky stanovené v kapitole 2 a zda existuje formální záchranný plán. Zkontrolujte vozík s protizávažím podle kontrolních bodů „Uživatele“, které jsou uvedeny v „Deníku kontrol a údržby“ (tabulka 2). Pokud při kontrole zjistíte nebezpečný stav nebo závadu, systém nepoužívejte. Vyřadte systém z provozu a zlikvidujte ho nebo kontaktujte společnost 3M ohledně výměny nebo opravy.

**4.2 BĚHEM POUŽÍVÁNÍ:**

*Pojezdové kolečko musí být zajištěné.*

*Při zvedání vozíku proveďte připojení k oběma závěsným okům.*

*Po nainstalování závaží do držáku musí být při používání a přepravě do držáku na všech 4 stranách umístěn a zajištěn zákolník kroužku. Viz obrázek 5.*

**4.3 PŘEPRAVA / PO POUŽITÍ:**

*Během přepravy musí být součásti naloženy na vozíku. Viz obrázek 7.*

*Včetně kapes na vidlici.*

*Vozík je vybaven závěsnými oky pro použití s visutým jeřábem. Zvedací zařízení musí být připojeno k oběma závěsným okům na vozíku.*

### 5.0 KONTROLA

**5.1 ČETNOST KONTROL:** Četnost kontrol vozíku s protizávažím je třeba kontrolovat v intervalech uvedených v části 1. Kontrolní postupy jsou popsány v „Deníku kontrol a údržby“ (tabulka 2) Zkontrolujte všechny ostatní součásti systému proti pádu podle intervalů a postupů uvedených v pokynech výrobce.

**5.2 ZÁVADY:** Pokud při kontrole zjistíte, že vozík s protizávažím není bezpečný nebo je poškozený, okamžitě ho vyřadte z provozu a požádejte společnost 3M o jeho opravu nebo výměnu. Nepokoušejte se systém jištění proti pádu opravovat.

*Pouze autorizovaní opravci: Opravy tohoto vybavení smí provádět pouze společnost 3M nebo třetí strany s písemným oprávněním.*

**5.3 ŽIVOTNOST VÝROBKU:** Funkční životnost systému jištění proti pádu závisí na pracovních podmínkách a údržbě. Výrobek může být v provozu tak dlouho, dokud vyhovuje kontrolním kritériím.

## 6.0 ÚDRŽBA, SERVIS, SKLADOVÁNÍ


**6.1 ČIŠTĚNÍ:** Kovové části vozíku s protizávažím pravidelně čistěte měkkým kartáčem, teplou vodou a slabým mýdlovým roztokem. Součásti důkladně opláchněte čistou vodou.

**6.2 SERVIS:** Opravy tohoto zařízení smí provádět pouze společnost 3M nebo třetí strany s písemným oprávněním od společnosti 3M. Pokud byla základna zdvihacího systému vystavena působení pádu nebo je při kontrole zjištěn nebezpečný nebo závadný stav, vyřadte systém z provozu a kontaktujte společnost 3M ohledně výměny nebo opravy.

**6.3 SKLADOVÁNÍ A PŘEPRAVA:** Mimo používání vozík s protizávažím a související vybavení na jištění proti pádu skladujte a přepravujte v chladném, suchém a čistém prostředí mimo dosah přímého slunečního světla. Vyvarujte se uložení v prostorách, kde se mohou vyskytovat chemické výpary. Po delším skladování součásti důkladně překontrolujte.

## 7.0 ŠTÍTKY

Štítky na vozíku s protizávažím jsou uvedeny na obr. 8. Pokud štítky nejsou zcela čitelné, je nutné je vyměnit. Na jednotlivých štítcích jsou uvedeny následující informace:

	Přečtěte si veškeré pokyny.
1	Certifikace dle norem CE
2	Splňuje požadavky na testování dle normy EN1496:2012
3	Specifikace vozíku s protizávažím a desek
4	Certifikace dle norem AS/NZS
5	A) Vyrobeno (rok, měsíc) B) Číslo modelu C) Sériové číslo
6	Specifikace hmotnosti vozíku a desek
7	Varování – pouze pro zvedání
8	A) Maximální vyložení zdvihacího ramene B) Dimenzováno pro manipulaci s materiálem o hmotnosti 205 kg (452 lbs) C) Maximální záchytná síla (MAF) $\leq 6$ kN (1 350 liber) systému zachycení pádu osob (PFAS)

**Tabulka 3 – deník kontrol a údržby**

Datum kontroly:		Kontrolu provedl(a):	
Součásti:	Kontrola: (Viz Četnost kontrol v kapitole 1)	Uživatel	Kompetentní osoba <sup>1</sup>
Vozík s protizávažím (obrázek 1)	Zkontrolujte, zda na vozíku s protizávažím nejsou praskliny, promáčkliny nebo deformace.	<input type="checkbox"/>	<input type="checkbox"/>
	Zkontrolujte známky koroze na celé jednotce.	<input type="checkbox"/>	<input type="checkbox"/>
Štítky (obrázky 8 a 9)	Ověřte, zda jsou všechny štítky bezpečně připevněné a čitelné (viz „Štítky“).	<input type="checkbox"/>	<input type="checkbox"/>
PFAS a další vybavení	Je nezbytné nainstalovat a zkontrolovat vybavení doplňkového systému zachycení pádu osob (PFAS) (stroj, samonavíjecí zařízení atd.), který se používá se základnou zdvihacího systému pro montáž na stěnu, podle pokynů výrobce.	<input type="checkbox"/>	<input type="checkbox"/>
<b>Sériové číslo (sériová čísla):</b>		<b>Datum nákupu:</b>	
<b>Číslo modelu:</b>		<b>Datum prvního použití:</b>	
<b>Nápravné opatření / údržba:</b>		Schválil(a):	
		Datum:	
<b>Nápravné opatření / údržba:</b>		Schválil(a):	
		Datum:	
<b>Nápravné opatření / údržba:</b>		Schválil(a):	
		Datum:	
<b>Nápravné opatření / údržba:</b>		Schválil(a):	
		Datum:	
<b>Nápravné opatření / údržba:</b>		Schválil(a):	
		Datum:	
<b>Nápravné opatření / údržba:</b>		Schválil(a):	
		Datum:	
<b>Nápravné opatření / údržba:</b>		Schválil(a):	
		Datum:	
<b>Nápravné opatření / údržba:</b>		Schválil(a):	
		Datum:	
<b>Nápravné opatření / údržba:</b>		Schválil(a):	
		Datum:	
<b>Nápravné opatření / údržba:</b>		Schválil(a):	
		Datum:	
<b>Nápravné opatření / údržba:</b>		Schválil(a):	
		Datum:	

<sup>1</sup> **Kompetentní osoba:** Osoba schopná identifikovat existující a předvídatelné nebezpečí v okolním prostředí nebo pracovní podmínky, které jsou pro pracovníky zdravotně závadné, rizikové nebo nebezpečné, a která je pověřena přijímat okamžitá nápravná opatření k jejich odstranění.

## SIKKERHEDSOPLYSNINGER

Læs alle sikkerhedsoplysninger i denne brugsanvisning og sørg for, at du forstår og følger disse før brug af denne adgangs-/redningsanordning til lukkede rum. **UNDLADELSE HERAF KAN MEDFØRE ALVORLIG PERSONSKADE ELLER DØDSFALD.**

Disse anvisninger skal udleveres til brugeren af udstyret. Opbevar denne vejledning til senere brug.

### Anvendelsesformål:

Dette adgangs-/redningssystem til lukkede rum er beregnet til brug som en del af et komplet personligt faldsikrings- og/eller redningssystem.

Enhver anden brug end denne, herunder eksempelvis materialehåndtering, rekreative eller sportslige aktiviteter eller andre aktiviteter, der ikke er beskrevet i brugsanvisningen eller installationsvejledningen, er ikke godkendt af 3M og kan medføre alvorlig skade eller død.

Denne anordning må kun benyttes af uddannede brugere til anvendelse på arbejdspladsen.

### ADVARSEL

Denne adgangs/redningsanordning til lukkede rum er en del af et personligt faldsikrings- og redningssystem. Det forventes, at alle brugere er fuldt uddannede i sikker installation og drift af hele systemet. **Misbrug af denne anordning kan medføre alvorlig skade eller død.** Læs og følg denne brugervejledning samt alle producentens anbefalinger, tal med din vejleder eller kontakt 3M's tekniske service vedrørende korrekt valg, drift, installation, vedligeholdelse og servicering.

- **For at reducere risiciene ved at arbejde med en adgangs-/redningsanordning til lukkede rum, som, hvis de ikke undgås, kan medføre alvorlig skade eller død:**
  - Efterse anordningen før hver brug, mindst én gang om året og efter et eventuelt fald. Efterse systemet i overensstemmelse med brugervejledningen.
  - Hvis eftersynet afslører usikre eller defekte tilstande, skal udstyret tages ud af drift og repareres eller udskiftes i overensstemmelse med brugervejledningen.
  - Enhver anordning, som har været udsat for faldstandsning eller kraftpåvirkninger, skal straks tages ud af brug. Se brugervejledningen, eller kontakt 3M Fall Protection.
  - Anordningen må kun installeres som beskrevet i detaljer i installationsvejledningen eller brugervejledningen. Installationer og anvendelse uden for instruktionens område skal godkendes skriftligt af 3M Fall Protection.
  - Det grundlag eller den struktur, som denne anordning fastgøres til, skal være i stand til at modstå de statiske belastninger, der er specificeret for anordningen i de retninger, der er tilladt i brugervejledningerne eller installationsvejledningerne.
  - Overstig ikke antallet af tilladte brugere.
  - Man skal aldrig arbejde under en ophængt last eller arbejder.
  - Vær forsigtig ved installation, brug og flytning af anordningen, da dele i bevægelse kan skabe potentielle klemmepunkter. Der henvises til brugervejledningen.
  - Sørg for at korrekte lockout/tagout-procedurer bliver fulgt som foreskrevet.
  - Tilslut aldrig til et system, før det er positioneret, fuldt samlet, justeret og installeret. Juster ikke systemet, mens en bruger er tilkoblet.
  - Man må kun tilkoble faldsikringsundersystemer til det angivne forankringsforbindelsespunkt på anordningen.
  - Forud for boring eller fastgørelse skal det sikres, at ingen elledninger, gasledninger eller andre kritiske indkapslede systemer kommer i kontakt med boret eller anordningen.
  - Sørg for, at faldsikringssystemer/-undersystemer, der er samlet fra komponenter, der er fremstillet af forskellige fabrikanter, er kompatible og opfylder kravene i relevante standarder, inklusive ANSI Z359 eller andre gældende regulativer, standarder for eller krav til faldbeskyttelse. Opsøg altid en kompetent eller kvalificeret person, før du anvender disse systemer.
- **For at reducere risici i forbindelse med højdearbejde, som, hvis de ikke undgås, kan medføre alvorlig skade eller død:**
  - Sørg for, at dit helbred og din kondition gør dig i stand til sikkert at kunne modstå alle de kræfter, der er forbundet med højdearbejde. Rådfør dig med din læge, hvis du har spørgsmål vedrørende din evne til at bruge dette udstyr.
  - Overstig aldrig den tilladte kapacitet for dit faldsikringsudstyr.
  - Overstig aldrig den maksimale faldafstand fra dit faldsikringsudstyr.
  - Brug ikke faldsikringsudstyr, som ikke virker ved forudgående brug eller planlagte inspektioner, eller hvis du er bekymret for udstyrets brug eller egnethed til det tilsigtede formål. Kontakt 3M's tekniske service med eventuelle spørgsmål.
  - Kombinationer med visse delsystemer og komponenter kan forstyrre driften af dette udstyr. Brug kun kompatible forbindelser. Rådfør dig med 3M, før du bruger dette udstyr sammen med andre komponenter eller delsystemer end dem, der er beskrevet i brugervejledningen.
  - Vær særligt forsigtig, når du arbejder i nærheden af maskiner, som bevæger sig (f.eks. øverste drev på olieplatforme), fare for elektrisk stød, ekstreme temperaturer, kemiske farer, eksplosive eller giftige gasser, skarpe kanter eller under overliggende materialer, som kan falde ned på dig eller faldsikringsudstyret.
  - Brug Arc Flash eller Hot Works (dvs. passende beskyttelses)-anordninger, når du arbejder i miljøer med ekstrem varme.
  - Undgå overflader og genstande, som kan beskadige brugeren eller udstyret.
  - Sørg for tilstrækkelig faldafstand ved højdearbejde.
  - Faldsikringsudstyret må aldrig modificeres eller ændres. Kun 3M eller parter, som 3M skriftligt har bemyndiget må foretage reparationer på udstyret.
  - Før brug af faldsikringsudstyret skal du sørge for at have en redningsplan, som muliggør hurtig redning i tilfælde af fald.
  - Hvis der sker et fald, søges straks lægehjælp for den faldne arbejdstager.
  - Brug ikke et kropsbælte til anvendelser, der involverer faldsikring. Må kun benyttes med komplet kropssele.
  - Svingfald kan minimeres ved så vidt muligt at arbejde lige under forankringspunktet.
  - Hvis der øves med denne anordning, skal der benyttes sekundært faldbeskyttelsesudstyr på en sådan måde, at lærlingen ikke udsættes for utilsigtet faldrisiko.
  - Brug altid passende personlige værnemidler under installation, brug eller inspektion af enheden/systemet.

*Inden udstyret monteres og tages i brug, skal produktidentifikationsoplysningerne fra ID-mærkatene noteres i inspektions- og vedligeholdelsesloggen (tabel 2) på bagsiden af denne manual.*

### PRODUKTBESKRIVELSE:

Figur 1 viser 3M™ DBI-SALA® kontravægtsystem til rum med begrænset plads/redning. Kontravægtsystemet til rum med begrænset plads er designet til at være et bærbart system, som kan opsættes og bruges med en mast af kompatible 3M DBI-SALA variable forskudte Davits til rum med begrænset plads/redning. Systemet bruger 20 kg-vægtplader, som er placeret på vægtstativer på systemet. Det bruges som kontravægt i systemer, der bruges til faldstandsning og redning.

Figur 2 viser komponenterne på kontravægtsystemet specificeret i tabel 1.

**Tabel 1 – Specifikationer**

Komponentspecifikationer:		
Figur 2 Reference	Komponent	Materialer
(A)	Bensamling	Aluminium - pulverlakeret Kulstofstål - galvaniserede
(B)	Midtersektion	Aluminium - pulverlakeret Polyethylen med høj densitet
(C)	Baseforlængelse	Aluminium - pulverlakeret Kulstofstål - galvaniseret
(D)	Gaffellommer	Kulstofstål - pulverlakeret
(E)	Forlængelseslomme	Aluminium - pulverlakeret
(F)	Systemsamling	Kulstofstål - pulverlakeret
(G)	Skubbehåndtag	Vinyl
(H)	Låsestift til vægtplade	Kulstofstål - pulverlakeret
(I)	Låsekrave	Kulstofstål - pulverlakeret
(J)	Vægtstativ	Kulstofstål - pulverlakeret
(K)	<b>8000123</b> - 20 kg-vægtplade (sælges separat)	Kulstofstål - pulverlakeret

*Opfylder følgende specifikationer, hvis egne vægtplader leveres. Hvis dette ikke overholdes, kan det resultere i alvorlige personskader eller dødsfald.*

### Vægtpladespecifikationer:

Vægt	20 kg (45 pund)	
Bjælkeåbning	25,4 mm (1 tomme) - 38,1 mm (1,25 tommer)	
Tykkelse	Maksimum 36,5 mm (1,44 tommer)	
Diameter	Maksimum 457,2 mm (18 tommer)	

**Tabel 1 – Specifikationer**

<b>Systemspecifikationer:</b>	
<b>Arbejdsområde</b>	Testet for faldstandsning og redning med forben. Se figur 6.
<b>Kompatibilitet</b>	Davit-baserne beskrevet i denne vejledning er kompatible med 3M™ DBI-SALA® høj kapacitet (HC) Davit-systemer med kort og lang rækkevidde. Har brug for det korrekte antal vægtplader i figur 1.
<b>Systemvægt</b>	Med plader: (20x)- 606 kg (1336 pund). (36x)- 925 kg (2039 pund).
	Uden plader: 206 kg (455 pund)
<b>Dimensioner</b>	Se figur 3 for dimensionerne på kontravægtsystemet.
<b>Vægtkapaciteter:</b>	
<b>Kapacitet af materialehåndtering</b>	205 kg (452 pund)

## 1.0 PRODUKTANVENDELSE

- 1.1 FORMÅL:** Davit-baser er designede monteringspunkter til kompatible 3M davit-systemer. Se de relevante Davit-systemvejledninger for brug af system og funktionalitet.
- 1.2 STANDARDER:** Denne Davit-base lever op til de nationale eller regionale standarder, der er angivet på forsiden af denne brugsanvisning. Hvis dette produkt videresælges uden for det oprindelige modtagerland, skal den person, der videresælger, sørge for vejledning i brug, vedligeholdelse, regelmæssig inspektion og reparation på sproget i det land, hvor produktet skal bruges.
- 1.3 INSTALLATION OG OPSYN:** En kvalificeret person skal holde opsyn med installationen af Davit-basen<sup>1</sup>. En kvalificeret person<sup>2</sup> skal godkende, at den strukturelle installation opfylder lokale og nationale bestemmelser. En kvalificeret person skal anbefale passende fastgørelseselementer og korrekt placering af Davit-basen. En kvalificeret person skal holde opsyn med brugen af Daviten og det fastgjorte faldsikringsudstyr.
- 1.4 STEDDOKUMENTATION:** Efter samling og installation af davit-baser skal installatøren udfylde "Installationsdokumentation" for at sikre opfyldelse af de informationsmæssige krav i henhold til EN795 bilag A og overdrage denne til brugerens tildelte repræsentant. Installeringsdokumentationen skal opbevares på brugsstedet med henblik på efterfølgende vurdering.
- 1.5 UDDANNELSE:** Dette udstyr skal monteres og anvendes af personer, der har gennemgået træning i korrekt anvendelse af udstyret. Denne vejledning kan bruges som del af et uddannelsesprogram for medarbejdere og/eller regionale reguleringer. Installatørerne og brugerne af dette udstyr har ansvaret for at sikre, at de er bekendte med denne vejledning, er trænet i rigtig vedligeholdelse og anvendelse af udstyret samt er bekendte med anvendelseskarakteristika, anvendelsesbegrænsninger og konsekvenserne af forkert anvendelse af udstyret.
- 1.6 REDNINGSPLAN:** Når Daviten og det fastgjorte faldsikringsudstyr anvendes, skal arbejdsgiveren have en redningsplan samt midlerne til at implementere den til rådighed og kommunikere denne plan til brugere. Det anbefales at have et uddannet redningshold på stedet. Reddere skal forsynes med udstyr og teknikker til gennemførelse af en vellykket redning. Træning skal gennemføres med jævne mellemrum for at sikre, at redderne har de fornødne færdigheder.
- 1.7 INSPEKTIONSHYPPIGHED:** Davit-basen skal inspiceres af brugeren før hver brug samt af en anden kvalificeret person forskellig fra brugeren mindst en gang om året.<sup>3</sup> Inspektionsprocedurer er beskrevet i "Inspektions- og vedligeholdelsesloggen". Resultaterne af hver inspektion foretaget af den kvalificerede person skal noteres i kopier af "Inspektions- og vedligeholdelsesloggen".

## 2.0 SYSTEMKRAV

- 2.1 FORANKRING OG FASTGØRELSESELEMENTER:** Enhver struktur og fastgørelseselementer (fastgørelseselementer hvis gældende), som bruges til at fastgøre Davit-basen, skal opfylde "monteringskravene" defineret i tabel 1.
- 2.1 KOMPONENTKOMPATIBILITET:** 3M-udstyr er kun beregnet til brug med andre 3M-godkendte komponenter og delsystemer. Erstatninger eller udskiftninger med ikke-godkendte komponenter eller delsystemer kan bringe udstyrets kompatibilitet i fare og kan påvirke det komplette systems sikkerhed og pålidelighed.
- 2.2 PERSONLIGT FALDSIKRINGSSYSTEM:** Personlige faldsikringssystemer (PFAS), der bruges med systemet, skal overholde gældende faldsikringsstandarder, regler og krav. PFAS'en skal bruge en helkropssele og begrænse standsekraft til følgende værdier:

	Maksimal standsekraft	Frit fald
PFAS med stødabsorberende sikkerhedslinje	6 kN (1.350 pund)	Se vejledningen, som fulgte med dit taljereb eller SRD for begrænsninger for frit fald.
PFAS med selvopruddende enhed (SRD)	6 kN (1.350 pund)	

- 2.3 FARER:** Brug af dette udstyr i områder med miljøfarer kan kræve yderligere sikkerhedsforanstaltninger for at undgå personskade eller beskadigelse af udstyret. Se 3M davit-mastevejledning for specifikke farer, som kan påvirke brugen af systemet.

<sup>1</sup> **Kvalificeret person:** En person, som er i stand til at identificere eksisterende og forudsigelige risici i omgivelserne eller i forhold til arbejdsbetingelser, som er usunde, skadelige eller farlige for medarbejderne, og som har bemyndigelse til at træffe øjeblikkelige korrigerende forholdsregler for at eliminere dem.

<sup>2</sup> **Kvalificeret person:** En person med en anerkendt grad eller uddannelsesbevis og med omfattende erfaring med faldsikring. Denne person skal kunne designe, analysere, evaluere og specificere faldsikring.

<sup>3</sup> **Inspektionshyppighed:** Ekstreme arbejdsforhold (barsk miljø, langvarig brug osv.) kan gøre det nødvendigt at øge den kvalificerede persons inspektionshyppighed.

### 3.0 INSTALLATION

**3.1 PLANLÆGNING:** Planlæg dit faldsikringssystem før monteringen af kontravægtsystemet. Tag højde for alle faktorer, der kan påvirke din sikkerhed inden, under og efter et fald. Overvej alle krav beskrevet i afsnit 2 og tabel 1 for at bestemme det korrekte køretøj og placeringen af kontravægtsystemet.

**3.2 MONTERING OG OPSÆTNING:** Se Figur 4.

1. Placer systemet på en flad overflade. Kontroller vaterpasset på systemet, og sørg for at luftboblen sidder midt i.
2. Indsæt baseforlængelsen i en af siderne på forlængelseslommen, sæt den fast med stift og spænd trekantet skrue.
3. Indsæt midtersektionen i baseforlængelsen, og sæt den fast med stift.
4. Indsæt begge bensamlinger i midtersektionen, og sæt den fast med stift.
5. Fjern låsestiften, og løs den trekantede skrue ved at dreje mod uret for at justere længden af baseforlængelsen.
6. Forlæng den forreste sektion af basen udad, væk fra systemet.
7. Indsæt låsestiften og spænd den trekantede skrue igen ved at dreje den med uret.
8. Niveller systemet ved at justere nivelleringsfødderne på bensamlingen indtil luftboblen i vaterpasset sidder i midten.
9. Tilføj den passende mængde vægtplader til systemet, i forhold til det HC-Davit-basen bruges til. Se figur 1.
10. Skub låsekrave mod vægtpladerne på alle 4 sider af vægtstativet, og spænd med unbraconøgle for at forhindre, at pladerne bevæger sig. Se figur 5.
11. Indsæt låsestift i vægtstativet. Se figur 5.

*Løfteringe er ikke til faldstandsning, kun til overliggende løft.*

### 4.0 BRUG

**4.1 FØR HVER IBRUGTAGNING:** Verificér at dit arbejdsområde og dit personlige faldstandsningssystem (PFAS) overholder alle kriterier i afsnit 2, og at der forefindes en formaliseret nødplan. Inspicer kontravægtsystemet i henhold til "Bruger"-inspektionspunkterne defineret i "Inspektions- og vedligeholdelseslog" (tabel 2). Brug ikke systemet, hvis inspektionen afslører en usikker eller defekt tilstand. Tag systemet ud af brug og ødelæg det, eller kontakt 3M med henblik på udskiftning eller reparation.

#### 4.2 UNDER BRUG:

*Svingbart hjul skal være låst.*

*Forbind begge ringe, når system løftes.*

*Kravehals og ringstifter skal være spændt og aktiveret, efter at vægtene er placeret på stativerne på alle 4 sider, når i brug og under transport. Se figur 5.*

#### 4.3 TRANSPORT/EFTER BRUG:

*Delene skal opbevares på systemet under transport. Se figur 7.*

*Inkludér gaffeltrucklommer.*

*System indeholder løfteringe, som kan bruges med overliggende kran. Løfteenhed skal være forbundet til begge løfteringe på systemet.*

### 5.0 INSPEKTION

**5.1 INSPEKTIONSHYPPIGHED:** Kontravægtsystemet skal inspiceres ifølge de intervaller, der er beskrevet i afsnit 1. Inspektionsprocedurerne er beskrevet i "Inspektions- og vedligeholdelseslog" (tabel 2) Efterse alle andre komponenter i faldsikringssystemet iht. den hyppighed og de procedurer, som er beskrevet i producentens instruktioner.

**5.2 DEFEKTER:** Hvis en inspektion afslører usikre eller fejlbehæftede tilstande, skal kontravægtsystemet omgående tages ud af drift, og 3M skal kontaktes med henblik på udskiftning eller reparation. Prøv ikke på at reparere faldstandsningssystemet.

**Der må kun udføres autoriserede reparationer:** Kun 3M eller parter med skriftlig bemyndigelse må foretage reparationer på dette udstyr.

**5.3 PRODUKTETS LEVETID:** Den driftsmæssige levetid for faldstandsningssystemer bestemmes af arbejdsbetingelserne og den konkrete vedligeholdelse. Så længe produktet godkendes ved inspektionen, må det fortsat bruges.












## 6.0 VEDLIGEHOLDELSE, SERVICE, OPBEVARING

- 6.1 RENGØRING:** Rens med jævne mellemrum kontravægtsystemets metalkomponenter med en blød børste og varmt vand med en mild sæbeopløsning. Sørg for, at delene bliver grundigt skyllet med rent vand.
- 6.2 SERVICE:** Kun 3M eller parter med skriftlig bemyndigelse fra 3M må foretage reparationer på dette udstyr. Hvis Davit-basen har været involveret i et fald, eller en inspektion afslører usikre eller fejlbehæftede forhold, skal systemet omgående tages ud af drift, og 3M skal kontaktes med henblik på udskiftning eller reparation.
- 6.3 OPBEVARING OG TRANSPORT:** Når det ikke bruges, skal kontravægtsystemet og det tilhørende faldsikringsudstyr opbevares og transporteres på et tørt, køligt, rent sted, hvor det ikke udsættes for direkte sollys. Undgå steder, hvor der kan være kemikaliedampe. Inspicer komponenterne efter længere tids opbevaring.

## 7.0 MÆRKATER

Figur 8 viser mærkaterne på kontravægtsystemet. Mærkater skal udskiftes, hvis de ikke er helt læselige. Hver mærkat har følgende information:

	Læs alle instruktioner.
	CE standardcertificering
	Opfylder EN1496:2012 testkrav
	Specifikationer af kontravægtsystemet og plade
	AS/NZS standardcertificering
	A) Fremstillet (år, måned) B) Modelnummer C) Serienummer
	Vægt af system og pladespecifikationer
	Advarsel om kun at bruge til løft
	A) Maksimal forskydning af Davit-arm B) Testet for materialehåndtering på 205 kg (452 pund) C) Personligt faldstandsningssystem (PFAS) Maksimal standsekraft (MAF) ≤ 6 kN (1.350 pund)

**Tabel 3 – Inspektions- og vedligeholdelseslog**

Inspektionsdato:		Inspiceret af:	
Komponenter:	Inspektion: (Se afsnit 1 for inspektionshyppigheden)	Bruger	Kvalificeret person <sup>1</sup>
Kontravægtsystem (figur 1)	Efterse kontravægtsystemet for revner, buler eller misdannelser.	<input type="checkbox"/>	<input type="checkbox"/>
	Efterse hele enheden for korrosion.	<input type="checkbox"/>	<input type="checkbox"/>
Mærkatér (figur 8 og 9)	Kontrollér, at alle mærkatér sidder sikkert på plads, og at de er læselige (se "Mærkatér")	<input type="checkbox"/>	<input type="checkbox"/>
PFAS og andet udstyr	Ekstra udstyr til personlige faldstandsningssystemer (PFAS) (seler, SRL etc.), som bruges sammen med den vægmonterede Davit-base, skal monteres og efterses i henhold til producentens anvisninger.	<input type="checkbox"/>	<input type="checkbox"/>
Serienummer/-numre:		Købsdato:	
Modelnummer:		Dato for første brug:	
Korrigerende foranstaltning/vedligeholdelse:		Godkendt af:	
		Dato:	
Korrigerende foranstaltning/vedligeholdelse:		Godkendt af:	
		Dato:	
Korrigerende foranstaltning/vedligeholdelse:		Godkendt af:	
		Dato:	
Korrigerende foranstaltning/vedligeholdelse:		Godkendt af:	
		Dato:	
Korrigerende foranstaltning/vedligeholdelse:		Godkendt af:	
		Dato:	
Korrigerende foranstaltning/vedligeholdelse:		Godkendt af:	
		Dato:	
Korrigerende foranstaltning/vedligeholdelse:		Godkendt af:	
		Dato:	
Korrigerende foranstaltning/vedligeholdelse:		Godkendt af:	
		Dato:	
Korrigerende foranstaltning/vedligeholdelse:		Godkendt af:	
		Dato:	
Korrigerende foranstaltning/vedligeholdelse:		Godkendt af:	
		Dato:	
Korrigerende foranstaltning/vedligeholdelse:		Godkendt af:	
		Dato:	

**1 Kvalificeret person:** En person, som er i stand til at identificere eksisterende og forudsigelige risici i omgivelserne eller i forhold til arbejdsbetingelser, som er usunde, skadelige eller farlige for medarbejderne, og som har bemyndigelse til at træffe øjeblikkelige korrigerende forholdsregler for at eliminere dem.

**Vor der Verwendung dieses Einstiegs-/Bergungsgeräts für enge Räume müssen die Sicherheitshinweise in diesen Anweisungen gelesen, verstanden und befolgt werden. NICHTBEACHTUNG KANN ERNSTE VERLETZUNGEN ODER DEN TOD ZUR FOLGE HABEN.**

**Diese Anweisungen müssen dem Benutzer dieser Ausrüstung zur Verfügung gestellt werden. Bewahren Sie diese Anweisungen für den späteren Gebrauch auf.**

## Verwendungszweck:

Dieses Einstiegs-/Bergungsgeräts für enge Räume ist für den Gebrauch als Teil eines kompletten persönlichen Absturzsicherungs- oder Rettungssystems vorgesehen.

Die Verwendung in anderen Anwendungen, u. a. bei nicht genehmigten Anwendungen im Materialtransport, Freizeitaktivitäten, Sportaktivitäten oder anderen, nicht in den Benutzeranweisungen oder in den Installationsanweisungen beschriebenen Aktivitäten, wird nicht durch 3M genehmigt und kann zu schweren Verletzungen oder zum Tod führen.

Dieses Gerät darf nur von Personen verwendet werden, die in der Verwendung des Geräts am Arbeitsplatz geschult sind.



## WARNUNG

Dieses Einstiegs-/Bergungsgeräts für enge Räume ist Teil eines persönlichen Absturzsicherungs- oder Rettungssystems. Es wird erwartet, dass alle Benutzer vollständig in der sicheren Installation und Bedienung des kompletten Systems geschult werden. **Der unsachgemäße Gebrauch dieses Geräts kann ernste Verletzungen oder den Tod zur Folge haben.** Informationen zur richtigen Auswahl, Bedienung, Installation, Wartung und Instandhaltung sind allen Produkthanweisungen und Herstellerempfehlungen zu entnehmen, oder wenden Sie sich an Ihren Vorgesetzten oder an den technischen Service von 3M.

- **Maßnahmen zur Reduzierung der Risiken (die, wenn sie nicht vermieden werden, zu schweren Verletzungen oder zum Tod führen können) im Zusammenhang mit einem Einstiegs-/Bergungsgeräts für enge Räume:**
  - Überprüfen Sie das Gerät vor jeder Verwendung, mindestens aber jährlich und nach jedem Absturz. Überprüfen Sie gemäß den Benutzeranweisungen.
  - Falls bei der Überprüfung eine Gefahr oder ein Mängelzustand festgestellt wird, nehmen Sie das Gerät außer Betrieb und reparieren oder ersetzen Sie es gemäß den Benutzeranweisungen.
  - Jedes Gerät, das einer Absturzsicherung oder Aufprallkräften ausgesetzt war, muss sofort aus dem Betrieb genommen werden. Sehen Sie in den Benutzeranweisungen nach oder kontaktieren Sie 3M Fall Protection.
  - Das Gerät darf nur in der Art und Weise installiert werden, die in den Installationsanweisungen oder in den Benutzeranweisungen angegeben ist. Nicht in der Bedienungsanleitung beschriebene Installationsweisen und Verwendungen müssen schriftlich von 3M Fall Protection genehmigt werden.
  - Das Trägermaterial oder die Struktur, an die das Gerät befestigt ist, muss die statischen Belastungen tragen können, die für das Gerät in den zulässigen Vorgaben angegeben sind. Diese sind in den Benutzeranweisungen oder in den Installationsanweisungen zu finden.
  - Die Anzahl der zulässigen Benutzer nicht überschreiten.
  - Keine Arbeiten unterhalb einer schwebenden Last oder eines im Gurt hängenden Arbeiters verrichten.
  - Vorsicht beim Installieren, Verwenden und Bewegen des Geräts, da durch bewegliche Teile potentielle Quetschpunkte entstehen können. Sehen Sie in den Benutzeranweisungen nach.
  - Stellen Sie sicher, dass angemessene Verfahren zur Absperrung und Sicherung eingehalten wurden, soweit anwendbar.
  - Niemals mit einem System verbinden, das nicht positioniert, vollständig aufgebaut, angepasst und installiert ist. Das System nicht einstellen, wenn eine Person im Gurt hängt.
  - Nur Untersysteme der Absturzsicherung mit dem gekennzeichneten Verankerungspunkt am Gerät verbinden.
  - Stellen Sie vor dem Bohren oder Befestigen sicher, dass keine elektrischen Leitungen, Gasleitungen oder sonstige kritische integrierte Systeme mit dem Bohrer oder dem Gerät in Kontakt geraten.
  - Stellen Sie sicher, dass Absturzsicherungssysteme/Teilsysteme, die aus Komponenten von verschiedenen Herstellern zusammengebaut werden, zueinander passen und den Anforderungen von geltenden Normen, einschließlich ANSI Z359 oder anderen gültigen Absturzsicherungsrichtlinien, Standards oder Anforderungen entsprechen. Ziehen Sie stets einen Sachkundigen oder eine qualifizierte Person zurate, bevor Sie diese Systeme verwenden.
- **Maßnahmen zur Reduzierung der Risiken (die, wenn sie nicht vermieden werden, zu schweren Verletzungen oder zum Tod führen können) im Zusammenhang mit Arbeiten in der Höhe:**
  - Stellen Sie sicher, dass Ihre gesundheitliche und körperliche Verfassung allen Kräften im Zusammenhang mit Arbeiten in der Höhe sicher standhalten kann. Konsultieren Sie Ihren Arzt, wenn Sie Fragen bezüglich Ihrer Fähigkeit haben, diese Ausrüstung zu verwenden.
  - Niemals die zulässige Belastbarkeit für Ihre Absturzsicherungsausrüstung überschreiten.
  - Niemals die maximale Strecke des Absturzes Ihrer Absturzsicherungsausrüstung überschreiten.
  - Verwenden Sie keine Absturzsicherungsausrüstung, die die Prüfung vor dem Einsatz oder andere geplante Prüfungen nicht bestanden haben, oder wenn Sie Bedenken über die Verwendung oder Tauglichkeit dieser Ausrüstung für Ihren Anwendungsbereich haben. Bei allen Fragen wenden Sie sich an den technischen Kundendienst von 3M.
  - Manche Kombinationen mit Teilsystemen und Komponenten können die Funktionsweise dieser Ausrüstung beeinträchtigen. Nur kompatible Verbindungselemente verwenden. Konsultieren Sie 3M, bevor Sie diese Ausrüstung in Kombination mit anderen Komponenten oder Untersystemen verwenden als denen, die in dieser Bedienungsanleitung beschrieben sind.
  - Bei der Arbeit in der Nähe von beweglichen Maschinen (z. B. Kraftdrehknopf von Ölplattformen), elektrischen Gefahrenherden, extremen Temperaturen, chemischen Gefahren, explosiven oder toxischen Gasen, scharfen Kanten oder unterhalb von über dem Kopf befindlichen Materialien, die auf Sie oder die Absturzsicherung fallen könnten, besonders vorsichtig vorgehen.
  - Bei Arbeiten in Umgebungen mit hohen Temperaturen Vorrichtungen für Schweißlichtbogen oder Heißenarbeiten verwenden.
  - Oberflächen und Gegenstände vermeiden, die dem Benutzer oder der Ausrüstung schaden könnten.
  - Stellen Sie bei Arbeiten in der Höhe einen angemessenen Fallraum sicher.
  - Niemals versuchen, die Absturzsicherung zu modifizieren. Nur 3M oder Dritte, die hierzu schriftlich von 3M autorisiert sind, dürfen Reparaturen an der Ausrüstung vornehmen.
  - Vergewissern Sie sich vor dem Einsatz der Absturzsicherung, dass ein Rettungsplan vorliegt, durch dessen Mittel eine unverzügliche Rettung bei einem Absturz ermöglicht wird.
  - Wenn es zu einem Absturz kommt, muss für den abgestürzten Arbeiter sofort ein Arzt hinzugezogen werden.
  - Verwenden Sie für Absturzsicherungsanwendungen keinen Haltegurt. Verwenden Sie nur einen Ganzkörper-Auffanggurt.
  - Minimieren Sie Pendelstürze, indem Sie so nahe wie möglich am Verankerungspunkt arbeiten.
  - Beim Training mit dieser Vorrichtung muss ein zweites Absturzsicherungssystem in der Weise angewendet werden, dass der Trainingsteilnehmer keiner unbeabsichtigten Absturzgefahr ausgesetzt wird.
  - Beim Zusammenbau, der Verwendung oder Prüfung der Vorrichtung stets eine entsprechende persönliche Schutzausrüstung tragen.

Übertragen Sie die Angaben zur Produktidentifikation vor der Installation und Verwendung dieser Ausrüstung vom ID-Etikett in das Inspektions- und Wartungsprotokoll (Tabelle 2) am Ende dieses Handbuchs.

**PRODUKTBESCHREIBUNG:**

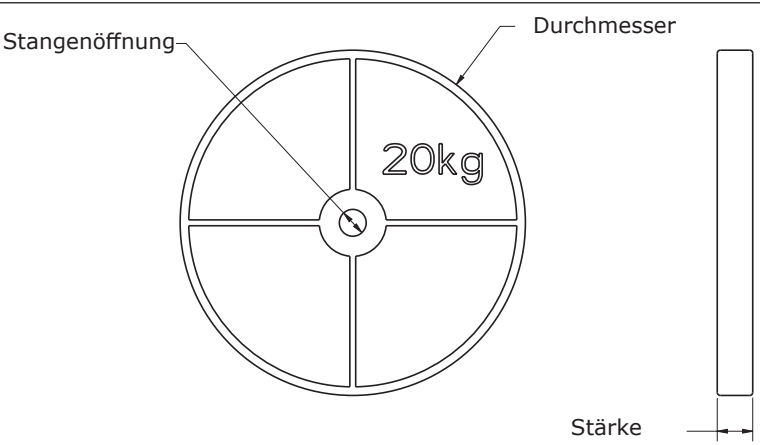
Abbildung 1 veranschaulicht den 3M™ DBI-SALA® Eingang zu engem Raum / Rettungs-Gegengewichtswagen. Der Gegengewichtswagen für enge Räume ist als tragbares System konzipiert, der mit einem Mast, der mit den 3M DBI-SALA Engraum-Eingangs-/Rettungs-Versatzausleger kompatibel ist, eingerichtet und verwendet werden kann. Das System verwendet 20-kg-Gewichtsplatten, die auf den Gewichtsgestellen des Wagens angeordnet sind, um als Gegengewicht für das System zu dienen, das zur Absturzsicherung und Rettung verwendet wird.

Abbildung 2 veranschaulicht die Bestandteile des Gegengewichtswagens, die in Tabelle 1 spezifiziert sind.

**Tabelle 1 – Spezifikationen**

<b>Bauteilspezifikationen:</b>		
<b>Siehe Abbildung 2</b>	<b>Bauteil</b>	<b>Materialien</b>
(A)	Beinbaugruppe	Aluminium, pulverbeschichtet Kohlenstoffstahl, verzinkt
(B)	Mittelteil	Aluminium, pulverbeschichtet Hochdichtes Polyethylen
(C)	Basisverlängerung	Aluminium, pulverbeschichtet Kohlenstoffstahl, verzinkt
(D)	Staplergabeltaschen	Kohlenstoffstahl, pulverbeschichtet
(E)	Verlängerungstasche	Aluminium, pulverbeschichtet
(F)	Wagenbaugruppe	Kohlenstoffstahl, pulverbeschichtet
(G)	Schiebegriff	Vinyl
(H)	Gewichtspatten-Sicherungsstift	Kohlenstoffstahl, pulverbeschichtet
(I)	Sicherungsring	Kohlenstoffstahl, pulverbeschichtet
(J)	Gewichtsgestell	Kohlenstoffstahl, pulverbeschichtet
(K)	<b>8000123</b> -20 kg-Gewichtplatte (separat erhältlich)	Kohlenstoffstahl, pulverbeschichtet

Beachten Sie bei der Bereitstellung eigener Gewichtsplatten die folgenden Spezifikationen. Eine Nichtbeachtung kann ernste Verletzungen oder den Tod zur Folge haben.

<b>Gewichtsplatten-Spezifikationen:</b>		
Gewicht	20 kg (45 lbs)	
Stangenöffnung	25,4 mm (1 Zoll) - 38,1 mm (1,25 Zoll)	
Dicke	Max. 36,5 mm (1,44 Zoll)	
Durchmesser	Max. 457,2 mm (18 Zoll)	

**Tabelle 1 – Spezifikationen**

<b>Systemspezifikationen:</b>	
<b>Arbeitsbereich</b>	Zugelassen für Absturzsicherungs- und Rettungssysteme vor den Beinen. Siehe Abbildung 6.
<b>Kompatibilität</b>	Die in dieser Anleitung behandelten Auslegerbasisplatten sind mit 3M™ DBI-SALA®-Systemen mit hoher Kapazität (HC - High Capacity) mit kurzem und langem Ausleger kompatibel. Die passende Anzahl von Gewichtsplatten von Tabelle 1 wird benötigt.
<b>Systemgewicht</b>	Mit Platten: (20 x) - 606 kg (1336 lbs). (36 x) - 925 kg (2039 lbs).
	Ohne Platten: 206 kg (455 lbs)
<b>Abmessungen</b>	Sehen Sie Tabelle 3 für die Abmessungen des Gegengewichtswagens.
<b>Tragfähigkeiten:</b>	
<b>Materialtragfähigkeit</b>	205 kg (452 lbs)

## 1.0 PRODUKTANWENDUNG

- 1.1 VERWENDUNGSZWECK:** Mastausleger-Basen sind konstruierte Befestigungspunkte für kompatible Mastausleger-Systeme von 3M. Zur Anwendung und zu den Funktionen siehe die Anleitung für das jeweilige Mastausleger-System.
- 1.2 NORMEN:** Diese Mastausleger-Basis entspricht der/den vorne auf diesem Handbuch angegebenen nationalen bzw. regionalen Norm(en). Wenn dieses Produkt außerhalb des ursprünglichen Bestimmungslandes wiederverkauft wird, muss der Wiederverkäufer diese Anweisungen in der Sprache des Landes zur Verfügung stellen, in dem das Produkt verwendet werden wird.
- 1.3 MONTAGE UND BEAUFSICHTIGUNG:** Die Montage der Mastausleger-Basis muss von einem Sachkundigen beaufsichtigt werden<sup>1</sup>. Eine qualifizierte Person<sup>2</sup> muss sicherstellen, dass die Montage an dem Bauwerk den Vorschriften der Regional- und Bundesbehörden entspricht. Eine qualifizierte Person muss Empfehlungen für geeignete Befestigungen und die richtige Platzierung der Mastausleger-Basis geben. Die Verwendung des Mastauslegers und der daran befestigten Absturzsicherungen muss von einem Sachkundigen beaufsichtigt werden.
- 1.4 STANDORTDOKUMENTATION:** Nach Zusammenbau und Montage der Mastausleger-Basen muss die Montagedokumentation, die in EN795 Anhang A geforderten Informationen enthalten muss, durch den Monteur vervollständigt werden, der sie dann dem benannten Vertreter des Benutzers übergibt. Die Montagedokumentation muss zur späteren Prüfung am Arbeitsort aufbewahrt werden.
- 1.5 SCHULUNG:** Die Ausrüstung muss von Personen, die in der richtigen Anwendung geschult sind, installiert und verwendet werden. Dieses Handbuch kann als Teil eines Mitarbeiterschulungsprogramms bzw. für örtliche Regelungen verwendet werden. Es unterliegt der Verantwortung der Benutzer und Installateure dieser Ausrüstung, sicherzustellen, dass sie mit diesen Anweisungen vertraut sind und bezüglich korrekter Pflege und Einsatzweise geschult wurden. Zudem müssen sie die Betriebsmerkmale, Anwendungseinschränkungen und die Folgen eines nicht ordnungsgemäßen Gebrauchs dieser Ausrüstung kennen.
- 1.6 RETTUNGSPLAN:** Bei Verwendung des Mastauslegers sowie daran befestigter Absturzsicherungen muss der Arbeitgeber einen Rettungsplan und die Mittel zu dessen Durchführung sowie zur Weitergabe dieses Plans an die Anwender vorsehen. Es wird empfohlen, vor Ort ein ausgebildetes Rettungsteam bereitzuhalten. Die Teammitglieder sind mit den nötigen Geräten und Techniken für eine erfolgreiche Rettung auszustatten. Es sollten regelmäßig Schulungen durchgeführt werden, damit die Befähigung des Rettungsteams stets gewährleistet ist.
- 1.7 INSPEKTIONSHÄUFIGKEIT:** Die Mastausleger-Basis muss vom Anwender vor jeder Benutzung und zusätzlich mindestens einmal jährlich von einem Sachkundigen, der nicht der Anwender ist, inspiziert werden.<sup>3</sup> Die Inspektionsaktivitäten werden im „Inspektions- und Wartungsprotokoll“ beschrieben. Tragen Sie die Ergebnisse jeder Inspektion durch einen Sachkundigen in das „Inspektions- und Wartungsprotokoll“ ein.

## 2.0 SYSTEMVORAUSSETZUNGEN

- 2.1 VERANKERUNG UND BEFESTIGUNGEN:** Zur Anbringung der Mastausleger-Basis verwendete Bauwerke sowie ggf. verwendete Befestigungen müssen die Tabelle 1 angegebenen „Montageanforderungen“ erfüllen.
- 2.1 KOMPATIBILITÄT DER BAUTEILE:** Die Geräte von 3M sind ausschließlich zur Verwendung mit anderen von 3M freigegebenen Bauteilen und Teilsystemen ausgelegt. Ein Austausch gegen nicht genehmigte Bauteile oder Teilsysteme kann die Kompatibilität der Ausrüstung und die Sicherheit und Zuverlässigkeit des gesamten Systems gefährden.
- 2.2 PERSÖNLICHE SCHUTZAUSRÜSTUNG GEGEN ABSTURZ (PSAGA):** Die mit diesem System verwendeten persönlichen Schutzausrüstungen gegen Absturz (PSAGa) müssen geltende Absturzsicherungsnormen, -codes und -anforderungen erfüllen. Die PSAGa muss über einen Auffanggurt verfügen und die Absturzbremskraft auf die folgenden Werte begrenzen:

	Maximale Bremskraft	Freier Fall:
PSAGa mit Verbindungsmittel mit Falldämpfer	6 kN (1.350 lb)	Sehen Sie die Anweisung(en), die mit dem Verbindungsmittel oder die SRD für Begrenzungen eines freien Falls mitgeliefert wird/werden.
Selbstaufrollende PSAGa	6 kN (1.350 lb)	

- 2.3 GEFAHREN:** Die Verwendung dieser Ausrüstung in Bereichen mit Umweltgefahren kann zusätzliche Sicherheitsmaßnahmen erfordern, um die Verletzungsgefahr und Schäden an der Ausrüstung zu vermeiden. Zu spezifischen Gefahren bei der Verwendung des Systems siehe die Anleitung für Mastausleger von 3M.

<sup>1</sup> **Sachkundiger:** Eine Person, die in der Lage ist, bestehende und vorhersehbare Risiken in der Umgebung oder bei Arbeitsbedingungen zu erkennen, die für Mitarbeiter gesundheitsgefährdend, gefährlich oder risikoreich sind, und die befugt ist, sofort korrigierende Maßnahmen zu ergreifen, um diese Risiken und Gefährdungen zu beseitigen.

<sup>2</sup> **Qualifizierte Person:** Eine Person mit einem anerkannten Diplom oder einem professionellen Abschluss und umfangreicher Erfahrung in der Absturzsicherung. Diese Person muss sich in Absturzsicherungs-Design, -Analyse, -Bewertung und -Spezifikation auskennen.

<sup>3</sup> **Inspektionshäufigkeit:** Extreme Arbeitsbedingungen (raue Umweltbedingungen, andauernde Verwendung usw.) können eine häufigere Inspektion durch einen Sachkundigen erforderlich machen.

### 3.0 INSTALLATION

**3.1 PLANUNG:** Planen Sie Ihr Absturzschutzsystem vor der Montage des Gegengewichtswagens. Berücksichtigen Sie alle Faktoren, die Ihre Sicherheit vor, während und nach einem Absturz beeinträchtigen könnten. Berücksichtigen Sie alle in Abschnitt 2 und Tabelle 1 definierten Anforderungen, um das korrekte Fahrzeug und die korrekte Platzierung des Gegengewichtswagens zu bestimmen.

**3.2 MONTAGE UND EINRICHTUNG:** Siehe Abbildung 4.

1. Platzieren Sie den Wagen auf eine ebene Fläche. Prüfen Sie die Libellen des Wagens, und stellen Sie sicher, dass diese zentriert sind.
2. Setzen Sie die Basisverlängerung in beide Seiten der Erweiterungstasche ein. Stecken Sie diese fest, und ziehen Sie die Schraube mit Dreisterngriff an.
3. Setzen Sie das Mittelteil in die Basisverlängerung ein, und stecken Sie dieses fest.
4. Setzen Sie beide Beinbaugruppen in das Mittelteil ein, und stecken Sie diese fest.
5. Um die Länge der Basisverlängerung einzustellen, entfernen Sie den Sicherungsstift und lösen Sie die Schraube mit Dreisterngriff durch Drehen gegen den Uhrzeigersinn.
6. Ziehen Sie den vorderen Teil der Basis vom Wagen weg.
7. Setzen Sie den Sicherungsstift ein, und ziehen Sie die Schraube mit Dreisterngriff durch Drehen im Uhrzeigersinn wieder fest.
8. Nivellieren Sie das System, indem Sie die Nivellierfüße an den Beinbaugruppen einstellen, bis die Libelle zentriert ist.
9. Fügen Sie zu dem Wagen, entsprechend des verwendeten HC-Auslegers, die entsprechende Anzahl an Gewichtsplatten hinzu. Siehe Abbildung 1.
10. Schieben Sie den Sicherungsring an allen 4 Seiten des Gewichtsgestells gegen die Gewichtsplatten, und befestigen Sie diesen mit einem Sechskantschlüssel, damit sich die Platten nicht bewegen. Siehe Abbildung 5.
11. Setzen Sie den Sicherungsstift in das Gewichtsgestell ein. Siehe Abbildung 5.

*Heberinge sind nicht zur Absturzschutz vorgesehen, nur zum Heben durch einen Kran.*

### 4.0 VERWENDUNG

**4.1 VOR JEDEM EINSATZ:** Stellen Sie sicher, dass Ihr Arbeitsbereich und Ihre Persönliche Schutzausrüstung gegen Absturz (PSAgA) alle Kriterien erfüllen, die in Abschnitt 2 definiert sind, und dass ein formeller Rettungsplan vorhanden ist. Prüfen Sie den Gegenwichtswagen anhand der „Benutzer“-Inspektionen, die im „Inspektions- und Wartungsprotokoll“ (Tabelle 2) angegeben sind. Wenn bei der Inspektion unsichere oder defekte Zustände festgestellt werden, verwenden Sie das System nicht. Nehmen Sie das System außer Betrieb und zerstören Sie es oder kontaktieren Sie 3M für einen Ersatz oder eine Reparatur.

**4.2 WÄHREND DES EINSATZES:**

*Laufrollen müssen verriegelt werden.*

*Verbinden Sie zum Anheben des Wagens beide Ringe.*

*Bundwelle und Klappstecker müssen bei der Verwendung und dem Transport befestigt werden und einrasten, nachdem die Gewichte an allen 4 Seiten auf den Gestellen platziert wurden. Siehe Abbildung 5.*

**4.3 TRANSPORTIEREN/NACH DEM EINSATZ:**

*Teile müssen während des Transportes auf dem Wagen verstaut werden. Siehe Abbildung 7.*

*Einschließlich Gebelstaplertaschen.*

*Der Wagen verfügt über Heberinge zur Verwendung mit Laufkränen. Die Hebevorrichtung muss an beiden Heberingen am Waren angeschlagen werden.*

### 5.0 INSPEKTION

**5.1 INSPEKTIONSHÄUFIGKEIT:** Der Gegengewichtswagen muss in den in Abschnitt 1 festgelegten Abständen geprüft werden. Die Inspektionsverfahren sind in „Inspektions- und Wartungsprotokoll“ (Tabelle 2) beschrieben. Prüfen Sie alle anderen Komponenten des Absturzschutzsystems mit den in den Anweisungen des Herstellers definierten Häufigkeiten und Verfahren.

**5.2 SCHÄDEN:** Falls bei der Inspektion ein Sicherheitsproblem oder ein Defekt festgestellt wird, nehmen Sie den Gegengewichtswagen unverzüglich außer Betrieb und kontaktieren Sie 3M, um eine Reparatur oder einen Austausch zu veranlassen. Versuchen Sie nicht, das Absturzsicherungssystem zu reparieren.

**Nur autorisierte Reparaturen:** Nur 3M oder Dritte, die hierzu schriftlich autorisiert sind, dürfen Reparaturen an dieser Ausrüstung vornehmen.

**5.3 PRODUKTLEBENSDAUER:** Die Haltbarkeit des Absturzsicherungssystems wird von den Arbeitsbedingungen und der Wartung bestimmt. Solange das Produkt die Inspektionskriterien erfüllt, kann es in Betrieb bleiben.

## 6.0 WARTUNG, INSTANDSETZUNG, LAGERUNG


**6.1 REINIGUNG:** Reinigen Sie die Metallbauteile des Gegengewichtswagen regelmäßig mit einer weichen Bürste, warmen Wasser und einer milden Seifenlösung. Stellen Sie sicher, dass die Teile sorgfältig mit viel klarem Wasser gespült werden.

**6.2 SERVICE:** Nur 3M oder Dritte, die hierzu von 3M schriftlich autorisiert sind, dürfen Reparaturen an dieser Ausrüstung vornehmen. Falls die Mastauslegerbasis Fallkräften ausgesetzt war oder sich bei der Überprüfung herausstellt, dass diese unsicher oder defekt ist, nehmen Sie das System außer Betrieb und wenden Sie sich an 3M, um eine Reparatur oder einen Austausch zu veranlassen.

**6.3 LAGERUNG UND TRANSPORT:** Lagern und transportieren Sie den Gegengewichtswagen und die dazugehörige Absturzsicherungsausrüstung bei Nichtgebrauch in einer kühlen, trockenen, sauberen Umgebung, in der es vor direkter Sonneneinstrahlung geschützt ist. Dasselbe gilt für den Transport. Setzen Sie das Produkt keinen chemischen Dämpfen aus. Prüfen Sie die Komponenten nach langer Lagerung gründlich.

## 7.0 ETIKETTEN

Abbildung 8 zeigt Etiketten auf dem Gegengewichtswagen. Etiketten müssen ersetzt werden, wenn sie nicht vollständig lesbar sind. Folgende Angaben sind auf jedem Etikett enthalten:

	Lesen Sie alle Anweisungen.
1	CE-Normen-Zertifizierung
2	Entspricht den Prüfanforderungen von EN1496: 2012
3	Gegengewichtswagen-System und Plattenspezifikationen
4	AS/NZS-Normen-Zertifizierung
5	A) Hergestellt (Jahr, Monat) B) Modellnummer C) Seriennummer
6	Gewicht des Wagens und Plattenspezifikationen
7	Nur anheben-Warnung
8	A) Maximaler Versatz des Mastauslegers B) Zugelassen für die Materialhandhabung 205 kg (452 lbs) C) Persönliche Schutzausrüstung gegen Absturz (PSAgA) Maximale Krafteinwirkung (MKE) ≤ 6 kN (1.350 lbs)



**Tabelle 3 – Inspektions- und Wartungsprotokoll**

Inspektionsdatum:		Kontrolliert von:	
Komponenten:	Inspektion: (Siehe Abschnitt 1 für <i>Inspektionshäufigkeit</i> )	Benutzer	Sachkundiger <sup>1</sup>
Gegengewichtswagen (Abbildung 1)	Prüfen Sie den Gegengewichtswagen auf Risse, Dellen oder Deformationen.	<input type="checkbox"/>	<input type="checkbox"/>
	Prüfen Sie die gesamte Einheit auf Korrosion.	<input type="checkbox"/>	<input type="checkbox"/>
Etiketten (Abbildungen 8 und 9)	Prüfen Sie, ob alle Etiketten sicher befestigt und lesbar sind (siehe „ <i>Etiketten</i> “).	<input type="checkbox"/>	<input type="checkbox"/>
PSAgA und andere Ausrüstung	Eine zusätzliche persönliche Schutzausrüstung gegen Absturz (PSAgA) (Auffanggurt, HSG usw.), die mit der an der Wand montierbaren Mastauslegerbasis verwendet wird, sollte nach den Anweisungen des Herstellers installiert und geprüft werden.	<input type="checkbox"/>	<input type="checkbox"/>
<b>Seriennummer(n):</b>		<b>Kaufdatum:</b>	
<b>Modellnummer:</b>		<b>Datum des ersten Einsatzes:</b>	
<b>Abhilfemaßnahme/Wartung:</b>		Genehmigt von:	
		Datum:	
<b>Abhilfemaßnahme/Wartung:</b>		Genehmigt von:	
		Datum:	
<b>Abhilfemaßnahme/Wartung:</b>		Genehmigt von:	
		Datum:	
<b>Abhilfemaßnahme/Wartung:</b>		Genehmigt von:	
		Datum:	
<b>Abhilfemaßnahme/Wartung:</b>		Genehmigt von:	
		Datum:	
<b>Abhilfemaßnahme/Wartung:</b>		Genehmigt von:	
		Datum:	
<b>Abhilfemaßnahme/Wartung:</b>		Genehmigt von:	
		Datum:	
<b>Abhilfemaßnahme/Wartung:</b>		Genehmigt von:	
		Datum:	
<b>Abhilfemaßnahme/Wartung:</b>		Genehmigt von:	
		Datum:	
<b>Abhilfemaßnahme/Wartung:</b>		Genehmigt von:	
		Datum:	

<sup>1</sup> **Sachkundiger:** Eine Person, die in der Lage ist, bestehende und vorhersehbare Risiken in der Umgebung oder bei Arbeitsbedingungen zu erkennen, die für Mitarbeiter gesundheitsgefährdend, gefährlich oder risikoreich sind, und die befugt ist, sofort korrigierende Maßnahmen zu ergreifen, um diese Risiken und Gefährdungen zu beseitigen.

**Lea, comprenda y cumpla con todo lo dispuesto en la información de seguridad contenida en estas instrucciones antes de utilizar este dispositivo de entrada/rescate en espacios confinados. SI NO LO HACE, PUEDE SUFRIR GRAVES LESIONES O LA MUERTE.**

**Estas instrucciones deben entregarse al usuario de este equipo. Conserve las instrucciones para futuras consultas.**

## Uso previsto:

Este dispositivo de entrada/rescate en espacios confinados está pensado para ser utilizado como parte de un sistema completo de protección contra caídas o sistema de rescate.

El empleo en cualquier otra aplicación, entre otras, las aplicaciones no aprobadas en la manipulación de materiales, actividades de recreo o deportivas, u otras actividades no descritas en las instrucciones para el usuario o en las instrucciones de instalación, no está aprobado por 3M y puede provocar lesiones graves o la muerte.

Este dispositivo solo deben usarlo usuarios formados en su utilización en aplicaciones dentro del lugar de trabajo.

## **ADVERTENCIA**

Este dispositivo de entrada/rescate en espacios confinados es parte de un sistema completo de protección contra caídas o sistema de rescate. Se espera que todos los usuarios se hayan formado completamente en la instalación y uso seguro del sistema completo. **El mal uso de este dispositivo puede provocar lesiones graves o la muerte.** Para una adecuada selección, uso, instalación mantenimiento, inspección y reparación, consulte las instrucciones del producto y todas las recomendaciones del fabricante, contacte con su supervisor o con el servicio técnico de 3M.

- **Para reducir los riesgos asociados con trabajar con dispositivos de entrada/rescate en espacios confinados que, si no se evitan, pueden provocar lesiones graves o la muerte:**
  - Inspeccione el dispositivo antes de cada uso, al menos, con una periodicidad anual, y después de que el sistema haya soportado una caída. Realice la inspección según las instrucciones del producto.
  - Si la inspección revela una situación poco segura o algún defecto, retire el dispositivo del servicio, repárelo o reemplácelo, según se indique en estas instrucciones.
  - Cualquier dispositivo que haya estado sometido a una fuerza de detención de caídas o impacto deberá retirarse inmediatamente del servicio. Consulte las Instrucciones para el usuario o póngase en contacto con 3M Fall Protection.
  - El dispositivo debe instalarse solo de la forma detallada en las instrucciones de instalación o en las instrucciones del usuario. La instalación y uso fuera del alcance de las instrucciones deben ser aprobados por escrito por 3M Fall Protection.
  - El substrato o la estructura a la que se fije el dispositivo debe poder soportar las cargas estáticas especificadas para el dispositivo en las orientaciones permitidas en las instrucciones del usuario o en las instrucciones de instalación.
  - No exceda el número de usuarios permitidos.
  - Nunca trabaje bajo una carga o un trabajador suspendidos.
  - Tenga precaución al instalar, usar y trasladar el dispositivo, ya que las partes móviles pueden crear posibles puntos de enganche. Consulte las instrucciones del usuario.
  - Asegúrese de que se han seguido los procedimientos de bloqueo/etiquetado aplicables adecuados.
  - No se conecte nunca a un sistema hasta que esté posicionado, completamente montado, ajustado e instalado. No ajuste el sistema cuando haya un usuario conectado.
  - Conecte solo subsistemas de protección contra caídas en el punto conector de anclaje designado del dispositivo.
  - Antes de taladrar o ajustar, asegúrese de que no hay cables eléctricos, tuberías de gas u otros sistemas críticos que puedan entrar en contacto con el taladro o el dispositivo.
  - Asegúrese de que los sistemas/subsistemas de protección contra caídas conectados con componentes hechos por distintos fabricantes son compatibles y cumplen los requisitos de las normas aplicables, incluyendo los ANSI Z359 u otros códigos, normas o requisitos de protección contra caídas aplicables. Consulte siempre con personal cualificado o competente antes de usar estos sistemas.
  
- **Para reducir los peligros asociados con el trabajo en altura que, si no se evitan, pueden provocar lesiones graves o la muerte:**
  - Asegúrese de que su salud y condición física le permiten resistir con seguridad todas las fuerzas asociadas con el trabajo en altura. Consulte con su médico si tiene alguna pregunta con respecto a su capacidad para utilizar este equipo.
  - Nunca exceda la capacidad de carga de su equipo de protección contra caídas.
  - Nunca exceda la distancia máxima de caída libre de su equipo de protección contra caídas.
  - No utilice ningún equipo de protección contra caídas que haya fallado antes de usarse o no haya pasado otras inspecciones programadas, o si tiene dudas sobre el uso o la idoneidad del equipo para su aplicación. Póngase en contacto con los servicios técnicos de 3M si tiene cualquier pregunta.
  - Algunas combinaciones de subsistemas y componentes pueden perjudicar el funcionamiento del equipo. Use solo conectores compatibles. Consulte con 3M antes de emplear este equipo con componentes o subsistemas distintos de los descritos en las instrucciones para el usuario.
  - Extrema la precaución cuando se encuentre alrededor de maquinaria en movimiento (p. ej., mecanismos de activación superiores de plataformas petrolíferas), cuando existan riesgos eléctricos, temperaturas extremas, peligros químicos, gases explosivos o tóxicos, bordes afilados o materiales que se encuentren por encima de usted y que podrían caer sobre usted o sobre el equipo de protección contra caídas.
  - Use dispositivos para trabajos en caliente o arco eléctrico cuando trabaje en ambientes a altas temperaturas.
  - Evite superficies y objetos que puedan dañar al usuario o al equipo.
  - Asegúrese de que haya una distancia de caída adecuada cuando trabaje en altura.
  - Nunca modifique o altere su equipo de protección contra caídas. Sólo 3M o las partes autorizadas por escrito por 3M pueden reparar el equipo.
  - Antes de usar el equipo de protección contra caídas, asegúrese de que existe un plan de rescate que permita un rápido rescate si se produce un incidente de caída.
  - Si hubiese un incidente de caída, busque atención médica inmediatamente para el trabajador que se haya caído.
  - No utilice un cinturón corporal para las aplicaciones de detención de caídas. Use sólo un arnés de cuerpo completo.
  - Trabaje en un lugar situado lo más directamente posible por debajo del punto de anclaje para minimizar la posibilidad de caídas con balanceo.
  - Si se está formando con este dispositivo, se debe utilizar un sistema de protección contra caídas secundario de manera que no exponga al aprendiz a un riesgo de caída involuntaria.
  - Lleve siempre el equipo de protección individual apropiado cuando instale, use o inspeccione el dispositivo/sistema.

Antes de instalar y utilizar este equipo, anote los datos identificativos del producto indicados en la etiqueta de identificación en el "Registro de inspección y mantenimiento" (Tabla 2), dispuesta al final de este manual.

**DESCRIPCIÓN DEL PRODUCTO:**

La Figura 1 ilustra el carro de contrapeso de entrada/rescate de espacio confinado 3M™ DBI-SALA®. El carro de contrapeso de espacio confinado está diseñado para ser un sistema portátil que se debe configurar y usar con un mástil de pescantes de compensación variable de entrada/rescate de espacio confinado 3M DBI-SALA compatible. El sistema utiliza placas de 20 kg de peso colocadas en los bastidores de pesas del carro para usarse como contrapesos para el sistema que se utiliza para la detención de caídas y rescate.

La Figura 2 ilustra los componentes del carro de contrapeso especificado en la Tabla 1.

**Tabla 1: Especificaciones**

Especificaciones de componentes:		
Referencia de la Figura 2	Componente	Materiales
(A)	Conjunto de ramal	Aluminio recubierto de polvo metalizado Acero al carbono galvanizado
(B)	Sección del centro	Aluminio recubierto de polvo metalizado Polietileno de alta densidad
(C)	Extensión de la base	Aluminio recubierto de polvo metalizado Acero al carbono galvanizado
(D)	Bolsillos de horquilla	Acero al carbono recubierto de polvo
(E)	Bolsillo de extensión	Aluminio recubierto de polvo metalizado
(F)	Montaje del carro	Acero al carbono recubierto de polvo
(G)	Empuñadura	Vinilo
(H)	Pasador de bloqueo de la placa de pesas	Acero al carbono recubierto de polvo
(I)	Collar de bloqueo	Acero al carbono recubierto de polvo
(J)	Bastidor de pesas	Acero al carbono recubierto de polvo
(K)	<b>8000123</b> -Placa de 20 kg (se vende por separado)	Acero al carbono recubierto de polvo

Cumple con las siguientes especificaciones si se suministran placas de pesas propias. Si no lo hace puede sufrir lesiones graves o incluso la muerte.

**Especificaciones de la placa de pesas:**

Peso	20 kg (45 libras)	
Apertura de barra	25,4 mm (1") - 38,1 mm (1,25")	
Grosor	Máximo 36,5 mm (1,44")	
Diámetro	Máximo 457,2 mm (18")	

**Tabla 1: Especificaciones**

<b>Especificaciones del sistema:</b>	
<b>Zona de trabajo</b>	Clasificado para detención de caídas y rescate frente a los ramales. Véase la Figura 6.
<b>Compatibilidad</b>	Las bases de pescante tratadas en estas instrucciones son compatibles con sistemas de pescante de corto y largo alcance de alta capacidad (AC) 3M™ DBI-SALA®. Se necesita una cantidad adecuada de placas de pesas en la Figura 1.
<b>Peso del sistema</b>	Con placas: (20x) -606 kg (1336 libras). (36x) -925 kg (2039 libras).
	Sin placas: 206 kg (455 libras)
<b>Dimensiones</b>	Consulte la Figura 3 para ver las dimensiones del carro de contrapeso.
<b>Capacidades de peso:</b>	
<b>Capacidad de manipulación de materiales</b>	205 kg (452 libras)

## 1.0 APLICACIÓN DEL PRODUCTO

- 1.1 PROPÓSITO:** Las bases pescantes son puntos de montaje diseñados para sistemas pescantes 3M compatibles. Consulte las instrucciones del sistema pescante correspondiente para conocer el uso y funciones del sistema.
- 1.2 NORMAS:** Esta base pescante cumple las normas nacionales o regionales identificadas en la cubierta de estas instrucciones. Si se revende este producto fuera del país de destino original, el revendedor debe proporcionar estas instrucciones en el idioma del país en donde se utilizará el producto.
- 1.3 INSTALACIÓN Y SUPERVISIÓN:** Una persona competente debe supervisar la instalación de la base pescante<sup>1</sup>. Una persona cualificada<sup>2</sup> debe verificar que la instalación estructural cumple con la normativa local y federal. Una persona cualificada debe recomendar los dispositivos de fijación adecuados y la colocación idónea de la base pescante. Una persona competente debe supervisar el uso del pescante y del equipo de protección contra caídas conectado.
- 1.4 DOCUMENTACIÓN DEL LUGAR DE TRABAJO:** Después del montaje y la instalación de las bases pescantes, el instalador debe completar la documentación de instalación conforme a los requisitos informativos del Anexo A EN795 y entregar, a continuación, dicha documentación al representante designado por el usuario. La documentación de instalación debe mantenerse en el lugar de trabajo para futuras revisiones.
- 1.5 FORMACIÓN:** Este equipo lo deben instalar y utilizar personas que hayan recibido formación sobre su correcta aplicación. Se puede usar el presente manual como parte de un programa de formación para empleados o como normativa regional. Es responsabilidad de los usuarios e instaladores de este equipo familiarizarse con estas instrucciones, formarse en cuanto al cuidado y uso correcto del mismo, y conocer a fondo las características de funcionamiento, las limitaciones de uso y las consecuencias del uso incorrecto de este equipo.
- 1.6 PLAN DE RESCATE:** Al utilizar el equipo de protección contra caídas conectado y el pescante, el empleador debe tener un plan de rescate y los medios a mano para implementarlo, así como comunicar el plan a los usuarios. Se recomienda tener en el centro un equipo de rescate con formación. Se deben proporcionar a los miembros del equipo las técnicas y el equipo para llevar a cabo un rescate con éxito. Se debe proporcionar de forma periódica formación a los responsables del rescate para garantizar su competencia.
- 1.7 FRECUENCIA DE INSPECCIÓN:** El usuario debe revisar la base pescante antes de cada uso y, además, debe revisarlo también una persona con las competencias idóneas que no sea el usuario, en intervalos no superiores a un año.<sup>3</sup> Los procedimientos de inspección se describen en el "Registro de inspección y mantenimiento". Los resultados de la inspección de cada persona competente deben registrarse en copias del "Registro de inspección y mantenimiento".

## 2.0 REQUISITOS DEL SISTEMA

- 2.1 ANCLAJE Y DISPOSITIVOS DE SUJECCIÓN:** Todas las estructuras y los dispositivos de sujeción (si corresponde) usadas para conectar la base pescante deben cumplir los "Requisitos de montaje" definidos en la Tabla 1.
- 2.1 COMPATIBILIDAD DE COMPONENTES:** El equipo 3M está diseñado para su uso con otros componentes y subsistemas aprobados por 3M. Las sustituciones que se hagan con componentes o subsistemas no aprobados pueden poner en peligro la compatibilidad del equipo y afectar a la seguridad y fiabilidad de todo el sistema.
- 2.2 SISTEMA PERSONAL DE DETENCIÓN DE CAÍDAS:** Los sistemas personales de detención de caídas (PFAS) usados con este equipo deben cumplir los requisitos, códigos y estándares aplicables para protección anticaídas. El PFAS debe usar un arnés de cuerpo completo y limitar la fuerza de detención a los siguientes valores:

	Fuerza máxima de detención	Caída libre
PFAS con eslinga de absorción de impacto	6 kN (611,8 kg)	Consulte las instrucciones incluidas con su eslinga o SRD para las limitaciones de caída libre.
PFAS con dispositivo autorretráctil (SRD)	6 kN (611,8 kg)	

- 2.3 PELIGROS:** El uso de este equipo en zonas con peligros en el entorno puede requerir precauciones adicionales para evitar que se produzcan lesiones personales o daños al equipo. Consulte las instrucciones del mástil del pescante de 3M para obtener más información sobre los riesgos específicos que pueden afectar al uso del sistema.

**1 Persona competente:** Individuo que es capaz de identificar peligros existentes y predecibles en el entorno o condiciones de trabajo insalubres, nocivas o peligrosas para los/las empleados/as y que cuenta con autorización para tomar medidas correctivas rápidas conducentes a su supresión.

**2 Personal cualificado:** Individuos debidamente cualificados o con certificación profesional y experiencia suficiente en sistemas de protección anticaídas. Estas personas deberán ser capaces de diseñar, analizar, evaluar y especificar sistemas de protección anticaídas.

**3 Frecuencia de inspección:** Las condiciones de trabajo extremas (entornos hostiles, uso prolongado, etc.) hacen que sea necesario aumentar la frecuencia de las inspecciones que realizan las personas competentes.

### 3.0 INSTALACIÓN

**3.1 PLANIFICACIÓN:** Planifique su sistema de protección contra caídas antes de instalar el carro de contrapeso. Tenga en cuenta todos los factores que podrían afectar a su seguridad antes, durante y después de una caída. Considere todos los requisitos definidos en la Sección 2 y la Tabla 1 para determinar el vehículo correcto y la ubicación del carro de contrapeso.

**3.2 MONTAJE E INSTALACIÓN:** Consulte la Figura 4.

1. Coloque el carro sobre una superficie plana. Compruebe las burbujas de nivel en el carro y asegúrese de que las burbujas estén centradas.
2. Inserte la extensión de la base en cualquier lado del bolsillo de la extensión; atornille en su lugar y apriete el tornillo triple.
3. Inserte la sección central en la extensión de la base y fíjela en su lugar.
4. Inserte ambos conjuntos de ramales en la sección central y fíjelos en su lugar.
5. Para ajustar la longitud de la extensión de la base, retire el pasador de bloqueo y afloje el tornillo triple girando en sentido contrario a las agujas del reloj.
6. Extienda la sección frontal de la base hacia afuera del carro.
7. Inserte el pasador de bloqueo y vuelva a apretar el tornillo triple girando hacia la derecha.
8. Nivele el sistema ajustando los ramales niveladores en los conjuntos de ramales hasta que la burbuja de nivel esté centrada.
9. Agregue la cantidad apropiada de placas de peso al carro de acuerdo con el pescante de alta capacidad que se está utilizando. Consulte la Figura 1.
10. Deslice el collar de bloqueo contra las placas de peso en los 4 lados del bastidor de pesas y ajústelo con una llave hexagonal para evitar que las placas se muevan. Ver Figura 5.
11. Inserte el pasador de bloqueo en el bastidor de pesas. Ver Figura 5.

*Anillas de levantamiento no para detención de caídas, solo levantamiento elevado.*

### 4.0 USO

**4.1 ANTES DE CADA USO:** Asegúrese de que el área de trabajo así como el sistema personal de detención de caídas (PFAS) cumplan todos los criterios definidos en la sección 2 y que se haya implantado un plan de rescate oficial. Revise el carro de contrapeso conforme a los puntos de inspección de "Usuario" definidos en el "Registro de inspección y mantenimiento" (tabla 2). No utilice el sistema si la inspección revela un estado no seguro o defectuoso. Deje de usarlo y deséchelo, o póngase en contacto con 3M para sustituirlo o repararlo.

**4.2 DURANTE EL USO:**

*La rueda giratoria debe estar bloqueada.*

*Conectar a ambas anillas al levantar el carro.*

*El árbol del collar y el pasador de sujeción se deben sujetar y enganchar una vez que se hayan colocado los pesos en los bastidores en los 4 lados cuando se esté utilizando y durante el transporte. Ver Figura 5.*

**4.3 TRANSPORTE/DESPUÉS DEL USO:**

*Las piezas se deben guardar en el carro durante el transporte. Consulte la Figura 7.*

*Incluye los bolsillos de la carretilla elevadora.*

*El carro incluye anillas de elevación para utilizarse con grúa de techo. El dispositivo de elevación debe estar conectado a ambas anillas de elevación en el carro.*

### 5.0 INSPECCIÓN

**5.1 FRECUENCIA DE INSPECCIÓN:** El carro de contrapeso para tejados se deberá inspeccionar en los intervalos definidos en el apartado 1. Los procedimientos de inspección se describen en el "Registro de inspección y mantenimiento" (tabla 2) Inspeccione todos los demás componentes del sistema de protección contra caídas según las frecuencias y los procedimientos definidos en las instrucciones de sus respectivos fabricantes.

**5.2 DEFECTOS:** Si la inspección revela un estado poco seguro o defectuoso, deje de usar el carro de contrapeso para tejados inmediatamente y póngase en contacto con 3M para repararlo o sustituirlo. No intente reparar el sistema de detención de caídas.

**Solo reparaciones autorizadas:** Solo 3M o las partes autorizadas por escrito podrán reparar este equipo.

**5.3 VIDA ÚTIL DEL PRODUCTO:** La vida útil del sistema de detención de caídas viene determinada por las condiciones de trabajo y el mantenimiento. El producto podrá seguir utilizándose siempre que cumpla los criterios de inspección.

## 6.0 MANTENIMIENTO, SERVICIO Y ALMACENAMIENTO

**6.1 LIMPIEZA:** Limpie los componentes de metal del carro de contrapeso periódicamente con un cepillo suave, agua templada y una solución jabonosa suave. Asegúrese de enjuagar perfectamente las piezas con abundante agua limpia.

**6.2 REPARACIONES:** Solo 3M o las partes autorizadas por escrito por 3M podrán reparar este equipo. Si la base de pescante se ha visto sometida a fuerzas de caída, o si la inspección revela una condición poco segura o defectuosa, deje de usar el sistema inmediatamente y póngase en contacto con 3M para su sustitución o reparación.

**6.3 ALMACENAMIENTO Y TRANSPORTE:** Cuando no esté en uso, guarde y transporte el carro de contrapeso y el equipo de protección anticaídas relacionado en un entorno fresco, seco y limpio, alejado de la luz solar directa. Evite las zonas donde pueda haber vapores químicos. Inspeccione exhaustivamente los componentes después de un período prolongado de almacenamiento.

## 7.0 ETIQUETAS

En la Figura 8 se ilustran las etiquetas de que va provisto el carro de contrapeso. Si las etiquetas no se pueden leer bien, deberán sustituirse. La información de las etiquetas es la siguiente:

	Lea todas las instrucciones.
1	Certificación de cumplimiento de la normativa CE
2	Cumple con los requisitos de prueba EN1496:2012
3	Especificaciones del sistema y placa del carro de contrapeso
4	Certificación de cumplimiento de las normas AS/NZS
5	A) Fecha de fabricación (año, mes) B) Número de modelo C) Número de serie
6	Peso del carro y especificaciones de la placa
7	Advertencia solo para elevación
8	A) Compensación máxima del brazo pescante B) Calificado para manipulación de materiales de 205 kg (452 libras) C) Fuerza máxima de detención (MAF) del sistema personal de detención de caídas (PFAS) ≤ 6 kN (1350 libras)

**Tabla 3: Registro de inspección y mantenimiento**

Fecha de la inspección:		Inspeccionado por:	
Componentes:	Inspección: (consulte la sección 1 <i>Frecuencia de inspección</i> )	Usuario	Persona competente <sup>1</sup>
Carro de contrapeso (Figura 1)	Inspeccione el carro de contrapeso en busca de grietas, abolladuras o deformidades.	<input type="checkbox"/>	<input type="checkbox"/>
	Inspeccione todo el equipo para comprobar que no haya corrosión.	<input type="checkbox"/>	<input type="checkbox"/>
Etiquetas (Figuras 8 y 9)	Verifique que todas las etiquetas de seguridad estén correctamente colocadas y que se pueden leer bien (consulte "Etiquetas")	<input type="checkbox"/>	<input type="checkbox"/>
PFAS y otros equipos	El equipo adicional (arnés, SRL, etc.) para el sistema personal de detención de caídas (PFAS) que se utilice con la base de pescante de montaje en pared debe instalarse e inspeccionarse conforme a las instrucciones del fabricante.	<input type="checkbox"/>	<input type="checkbox"/>
Números de serie:		Fecha de compra:	
Número de modelo:		Fecha del primer uso:	
Acción correctora/mantenimiento:		Aprobado por:	
		Fecha:	
Acción correctora/mantenimiento:		Aprobado por:	
		Fecha:	
Acción correctora/mantenimiento:		Aprobado por:	
		Fecha:	
Acción correctora/mantenimiento:		Aprobado por:	
		Fecha:	
Acción correctora/mantenimiento:		Aprobado por:	
		Fecha:	
Acción correctora/mantenimiento:		Aprobado por:	
		Fecha:	
Acción correctora/mantenimiento:		Aprobado por:	
		Fecha:	
Acción correctora/mantenimiento:		Aprobado por:	
		Fecha:	
Acción correctora/mantenimiento:		Aprobado por:	
		Fecha:	
Acción correctora/mantenimiento:		Aprobado por:	
		Fecha:	
Acción correctora/mantenimiento:		Aprobado por:	
		Fecha:	
Acción correctora/mantenimiento:		Aprobado por:	
		Fecha:	

<sup>1</sup> **Persona competente:** persona que es capaz de identificar peligros existentes y predecibles en el entorno o condiciones de trabajo insalubres, nocivas o peligrosas para los/las empleados/as y que cuenta con autorización para tomar medidas correctivas rápidas conducentes a su supresión.



Enne selle kitsasse ruumi sisenemise vahendi / päästevahendi kasutamist lugege läbi ja tehke selgeks endale kogu käesolevas juhendis kirjeldatud ohutusteave ning järgige seda. **VASTASEL JUHUL VÕIVAD OLLA TULEMUSEKS RASKED VIGASTUSED VÕI SURM.**

Kasutusjuhend tuleb anda varustuse kasutajale. Jätke juhend edasiseks kasutamiseks alles.

## Sihotstarve

See kitsasse ruumi sisenemise vahend / päästevahend on mõeldud kasutamiseks isikliku kukkumisvastase varustuse või päästesüsteemi osana.

Ettevõtte 3M ei kiida heaks kasutamist mis tahes teistes rakendustes, sealhulgas, heakskiitmata materjalikäitluses, vabaaja- või sporditegevustes või teistes käesolevas kasutusjuhendis või paigaldusjuhendis kirjeldamata tegevustes, ning see võib põhjustada tõsisid vigastusi või surma.

Vahendit võivad kasutada ainult asjakohase väljaõppe läbinud kasutajad töökeskkonnas.



## HOIATUS

See kitsasse ruumi sisenemise vahend / päästevahend on osa isiklikust kukkumiskaitsest või päästesüsteemist. Eeldame, et kõik kasutajad läbivad kogu süsteemi ohutuks paigaldamiseks ja kasutamiseks vajaliku põhjaliku väljaõppe. **Selle vahendi väärkasutus võib põhjustada raskeid vigastusi või surma.** Valimist, kasutamist, paigaldamist, hooldust ja parandamist puudutavad juhised leiab käesolevast kasutusjuhendist ja kõikidest tootja soovistest; või pöörduge oma otsese ülemuse või ettevõtte 3M tehnilise teeninduse poole.

- **Selleks, et vähendada kitsasse ruumi sisenemise vahendi või päästevahendi kasutamisega kaasnevat ohte, mille eiramine võib põhjustada raskeid vigastusi või surma, toimige järgmiselt.**
  - Kontrollige vahendit enne iga kasutuskorda, vähemalt kord aastas ning pärast iga kukkumist. Kontrolli teostamisel lähtuge kasutusjuhendist.
  - Kui kontrolli käigus selgub, et süsteem on ohtlik või defektne, kõrvaldage vahend kasutuselt ja remontige või asendage see vastavalt kasutusjuhendile.
  - Iga vahend, mille kukkumiskaitse on rakendunud või millele on mõjunud löögid, tuleb viivitamatult kasutuselt kõrvaldada. Lugege kasutusjuhendit või võtke ühendust ettevõtte 3M kukkumiskaitsevahendite osakonnaga.
  - Vahend tuleb paigaldada kooskõlas paigaldus- ja kasutusjuhendiga. Kui paigaldatakse või kasutatakse viisil, mida pole juhendites kirjeldatud, tuleb selleks saada eelnev heakskiit ettevõtte 3M kukkumiskaitsevahendite osakonnalt.
  - Alus või konstruktsioon, mille külge vahend kinnitatakse, peab taluma kinnituskoha staatilist koormust kasutus- või paigaldusjuhendis nimetatud suunas.
  - Ärge ületage lubatud kasutajate piirmäära.
  - Ärge kunagi töötage riputatud koorma või rippuva töötaja all.
  - Olge vahendi paigaldamisel, kasutamisel ja teisaldamisel ettevaatlik, kuna liikuvad osad võivad tekitada võimalikke muljumiskohti. Vt kasutusjuhendit.
  - Veenduge, et kõiki blokeerimis- ja sildistamisprotseduure on nõuetekohaselt järgitud (kui asjakohane).
  - Ärge kunagi kinnitage süsteemi, enne kui see pole kohale paigutatud, täielikult monteeritud, reguleeritud ja paigaldatud. Ärge reguleerige süsteemi, kui kasutaja on kinnitatud.
  - Ühendage kukkumiskaitse alamsüsteemid ainult vahendi ettenähtud ankurduspunkti külge.
  - Enne puurimist või kinnitamist veenduge, et puur ega trell ei satu kokkupuutesse elektrijuhtmete, gaasitorude või muude kriitiliste sisesehitatud süsteemidega.
  - Veenduge, et erinevate tootjate valmistatud osadest kokku pandud kukkumisvastased süsteemid/alamsüsteemid ühilduvad ning on kooskõlas kohaldatavate standardite nõuetega, sh standardiga ANSI Z359 jt kohaldatavate kukkumiskaitsevahendite käsitlevate eeskirjade, standardite ja nõuetega. Enne vastavate süsteemide kasutamist konsulteerige alati pädeva või kvalifitseeritud töötajaga.
- **Selleks, et vähendada kõrgustes töötamisega kaasnevat ohte, mille eiramine võib põhjustada raskeid vigastusi või surma, toimige järgmiselt.**
  - Veenduge, et teie tervislik ja füüsiline seisund võimaldab teil kõikide kõrgustes töötamisega kaasnevate ohtudega edukalt toime tulla. Kui teil tekib küsimusi, mis on seotud käesoleva vahendi kasutamise suutlikkusega, konsulteerige oma arstiga.
  - Ärge kunagi ületage kukkumisvastase varustuse lubatud kandevõimet.
  - Ärge kunagi ületage kukkumisvastase varustuse maksimaalset vabakukkumise kõrgust.
  - Ärge kunagi kasutage kukkumisvastast varustust, mis ei läbi kasutuseelset või plaanilist kontrolli või juhul, kui tekib kahtlusi, kas vahend on konkreetseks kasutuseks sobiv. Küsimuste korral võtke ühendust ettevõtte 3M tehnilise teenuse töötajaga.
  - Mõned alamsüsteemid või komponentide kombinatsioonid võivad takistada selle varustuse talitlust. Kasutage ainult ühilduvaid ühendusi. Varustuse kasutamisel koos kasutusjuhendis kirjeldamisele mittetulevate vahendite või alamsüsteemidega konsulteerige ettevõttega 3M.
  - Töötades liikuvate masinate (nt naftapuurtorni ajam) lähedal, keskkonnas, kus esinevad elektriõht, äärmuslikud temperatuurid, ohtlikud kemikaalid, plahvatusohtlikud või mürgised gaasid, teravad servad või järgnevalt nimetatud rippuvad materjalid, mis võivad teile või kukkumisvastasele varustusele peale kukkuda, tuleb olla eriti ettevaatlik.
  - Kasutage kõrge temperatuuriga keskkonnas leegilahvatuse või kuumu temperatuuri eest kaitsvaid vahendeid.
  - Vältige kokkupuudet pindade ja objektidega, mis võivad kasutajat või varustust kahjustada.
  - Veenduge, et kõrgustes töötamise korral on kukkumisruum piisav.
  - Ärge modifitseerige ega muutke kukkumisvastast varustust. Varustust võivad remontida ainult ettevõtte 3M või viimase poolt selleks kirjalikult volitatud isikud.
  - Enne kukkumisvastase varustuse kasutamist veenduge, et on olemas päästekava, mis võimaldab kukkumise korral kiiret päästetegevust.
  - Kukkumise korral võimaldage kukkunud töötajale viivitamatult arstiabi.
  - Ärge kasutage kukkumisvastase varustuse keharihma. Kasutage ainult täisrakmeid.
  - Vähendage võimaliku kukkumisega kaasneva kiikumisliigutuse amplituudi, töötage selleks vahetult nii ankurduspunkti all kui võimalik.
  - Käesoleva vahendi kasutamise väljaõppe läbiviimisel tuleb kasutada täiendavat kukkumisvastast varustust, et kaitsta koolitatavat isikut tahtmatu kukkumise eest.
  - Vahendi/süsteemi paigaldamisel, kasutamisel või kontrollimisel kasutage sobivaid isikukaitsevahendeid.

Enne selle varustuse paigaldamist ja kasutamist kirjutage tehasesildilt välja toote tuvastusandmed, mis on vajalikud käesoleva kasutusjuhendi lõpus toodud ülevaatus- ja hoolduspäeviku (tabel 2) täitmiseks.

## TOOTE KIRJELDUS

Joonisel 1 on näidatud 3M™ DBI-SALA® piiratud ruumi sisenemiseks ja päästeks mõeldud vastukaalukäru. Piiratud ruumi jaoks mõeldud vastukaalukäru on portatiivne süsteem, mis on mõeldud kasutamiseks koos ühilduva 3M DBI-SALA piiratud ruumi sisenemiseks ja päästeks mõeldud muudetava sirutusulatusega taavetsüsteemide mastiga. Süsteem kasutab 20 kg raskuskettaid, mis asetatakse käru raskusketaste torudele. Süsteem toimib sel viisil kukkumiskaitse- ja päästesüsteemi vastukaaluna.

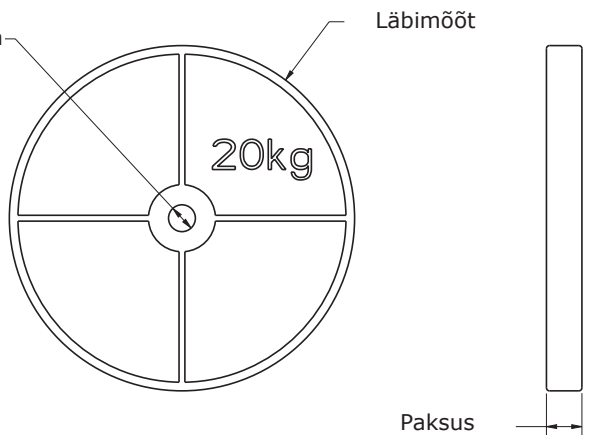
Joonisel 2 on näidatud vastukaalukäru komponendid, mille nimetused on toodud tabelis 1.

**Tabel 1. Spetsifikatsioonid**

Komponendi spetsifikatsioonid		
Tähis joonisel 2	Komponent	Materjalid
Ⓐ	Tugiharu koost	Alumiinium, pulberkattega Süsinikteras, tsinkkattega
Ⓑ	Aluse keskosa	Alumiinium, pulberkattega Kõrge tihedusega polüetüleen (HDPE)
Ⓒ	Aluse pikendustala	Alumiinium, pulberkattega Süsinikteras, tsinkkattega
Ⓓ	Kahvliharude pesad	Süsinikteras, pulberkattega
Ⓔ	Pikendustala pesa	Alumiinium, pulberkattega
Ⓕ	Käru koost	Süsinikteras, pulberkattega
Ⓖ	Käepide	Vinüül
Ⓗ	Raskusketta lukustustihvt	Süsinikteras, pulberkattega
Ⓘ	Lukustusvõru	Süsinikteras, pulberkattega
Ⓙ	Raskusketaste toru	Süsinikteras, pulberkattega
Ⓚ	<b>8000123</b> - 20 kg raskusketas (müüakse eraldi)	Süsinikteras, pulberkattega

Kui kasutate oma raskuskettaid, peavad need vastama järgmistele spetsifikatsioonidele. Selle reegli eiramine võib põhjustada raskeid vigastusi või surma.

### Raskusketta spetsifikatsioonid

Mass	20 kg (45 naela)	
Keskmise ava läbimõõt	25,4...38,1 mm (1...1,25 tolli)	
Paksus	Max 36,5 mm (1,44 tolli)	
Läbimõõt	Max 457,2 mm (18 tolli)	

**Tabel 1. Spetsifikatsioonid**

<b>Süsteemi spetsifikatsioonid</b>	
<b>Töötsoon</b>	Mõeldud kukkumise pidurdamiseks ja päästeks tugiharude ees. Vt jn 6.
<b>Ühilduvus</b>	Käesolevas juhendis käsitletud taavetialused ühilduvad 3M™ DBI-SALA® suure kandevõimega (HC) lühikese ja pika ulatusega taavetsüsteemidega. Vajalik on kasutada sobivat arvu raskuskettaid, nagu näidatud joonisel 1.
<b>Süsteemi mass</b>	Koos raskusketastega: 20 tk - 606 kg (1336 naela); 36 tk - 925 kg (2039 naela).
	Ilma raskusketasteta: 206 kg (455 naela)
<b>Mõõtmed</b>	Vastukaalukäru mõõtmeid vt jn 3.
<b>Kandevõimed</b>	
<b>Materjalide kandevõime</b>	205 kg (452 naela)

## 1.0 TOOTE KASUTAMINE

- 1.1 OTSTARVE.** Taavetialused on konstrueeritud kasutamiseks kinnituspunktidenä ühilduvates ettevõtte 3M taavetsüsteemides. Süsteemi kasutamist ja funktsionaalsust puudutavaid juhiseid vt asjakohasest taavetsüsteemi kasutusjuhendist.
- 1.2 STANDARDID.** Käesolev taavetialus vastab riiklikele või piirkonna standarditele, mis on ära toodud kasutusjuhendi esikaanel. Kui seda toodet müüakse mujal kui algse sihtriigis, siis edasimüüja peab esitama käesoleva kasutusjuhendi selle riigi riigikeeles, kus toodet kasutatakse.
- 1.3 PAIGALDAMINE JA JÄRELEVALVE.** Taavetialuse paigaldamine peab toimuma pädeva isiku järelevalve all<sup>1</sup>. Kvalifitseeritud isik<sup>2</sup> peab kontrollima, kas konstruktsioon vastab kohalikele ja föderaalsetele nõuetele. Kvalifitseeritud isik peab tegema soovitusel sobivate kinnitite ja taavetialuse paigutuse kohta. Taaveti ja selle külge kinnitatud kukkumiskaitsevahendite kasutamine peab toimuma pädeva isiku järelevalve all.
- 1.4 KOHAPEALNE DOKUMENTATSIOON.** Paigaldaja peab pärast taavetialuse paigaldamist koostama paigaldusdokumendid, mis vastavad standardi EN 795 lisa A nõuetele, ning esitama need kasutaja ametlikule esindajale. Paigaldusdokumente tuleks hoida hilisemate ülevaatuste tarbeks tööobjektil.
- 1.5 VÄLJAÕPE.** Seda varustust peavad paigaldama ja kasutama töötajad, kes on saanud väljaõppe selle nõuetekohase kasutamise osas. Käesolevat juhendit võib kasutada osana töötajate koolitusprogrammist ja/või piirkondlike nõuete täitmiseks. Selle varustuse kasutajad ja paigaldajad peavad tagama, et nad on käesoleva juhendiga tutvunud ning et nad oskavad varustust hooldada ja kasutada ning on teadlikud varustuse tehnilistest näitajatest, piiridest ja väärkasutuse tagajärgedest.
- 1.6 PÄASTEPLAAN.** Taaveti ja selle külge kinnitatud kukkumiskaitsevahendite kasutamiseks tuleb tööandjal töötada välja päästeplaani, näha ette päästeplaani realiseerimiseks vajalikud vahendid ning viia kasutajad päästeplaaniga kurssi. Soovitatav on asjakohase väljaõppega kohapealse päästemeeskonna olemasolu. Meeskonnaliikmetel peaks olema päästeoperatsiooni õnnestumiseks vajalik varustus ja teadmised vajalikest töövõtetest. Päästjate oskuste tagamiseks peavad nad läbima regulaarseid koolitusi.
- 1.7 ÜLEVAATUSSAGEDUS.** Kasutaja peab selle taavetialuse enne igat kasutuskorda üle kontrollima. Peale selle peab taavetialuse ülevaatuse tegema selleks pädev isik, kes ise ei või olla selle taavetialuse kasutaja, vähemalt üks kord aastas.<sup>3</sup> Ülevaatuse protseduuri on kirjeldatud lõigus „Ülevaatus- ja hoolduspäevik“. Pädeva isiku iga ülevaatuse tulemused tuleb dokumenteerida, kasutades ülevaatus- ja hoolduspäeviku koopiaeksemplare.

## 2.0 SÜSTEEMI NÕUDED

- 2.1 ANKRUD JA KINNITID.** Kõik konstruktsioonid ja kinnitid (kui asjakohane), mida kasutatakse taavetialuse kinnitamiseks, peavad vastama kinnituspunktide nõuetele, mis on toodud tabelis 1.
- 2.1 ÜHILDUVAD KOMPONENDID.** Ettevõtte 3M varustus on mõeldud kasutamiseks ainult muude ettevõtte 3M heakskiidetud komponentide ja alamsüsteemidega. Elementide asendamine või väljavahetamine kinnitust mitteomavate elementide või alamsüsteemide vastu seab ohtu varustuse ühilduvuse ja vähendab terve süsteemi ohutust ning töökindlust.
- 2.2 PERSONAALNE KUKKUMISE PIDURDAMISE SÜSTEEM.** Süsteemiga kasutatav personaalne kukkumise pidurdamise süsteem (PFAS) peab vastama kohaldatavatele kukkumiskaitsevahendite reguleerivatele eeskirjadele, standarditele ja nõuetele. PFAS peab kasutama täisrakmeid ja piirama pidurdusjõu järgmistele väärtustele.

	Maksimaalne pidurdusjõud	Vabakukkumine
PFAS koos löögilevendusrihmaga	6 kN (1350 naela)	Vabakukkumise piirväärtusi vt löögilevendusrihma või SRD juhendi(te)st.
PFAS koos isekeriva trossiga (SRD)	6 kN (1350 naela)	

- 2.3 OHUD.** Selle varustuse kasutamine keskkonnaohtudega aladel võib nõuda täiendavaid ettevaatusabinõusid, et vältida kasutaja vigastamist või seadmete kahjustamist. Süsteemi kasutamist mõjutavaid eriohte vt ettevõtte 3M taavetialuse juhendist.

<sup>1</sup> **Pädev isik:** ülevaatusõigusega pädev isik on isik, kes on pädev hindama olemasolevaid ja ettenähtavaid ohte ümbritsevas töötajate keskkonnas, mis on töötaja jaoks antisanitaarsed või ohtlikud. Pädev isik on volitatud viivitamatult võtta meetmed selliste ohtude kõrvaldamiseks.

<sup>2</sup> **Kvalifitseeritud isik:** isik, kellel on tunnustatud kraad või kutsetunnistus ning ulatuslikud teadmised kukkumiskaitsealastest. See isik peab olema suuteline kukkumiskaitsealastest projekteerima, analüüsima, hindama ja nende spetsifikatsioone arvutama.

<sup>3</sup> **Ülevaatussagedus:** töötamine rasketes oludes (karmid tingimused, pikaajaline kasutamine jne) nõuavad sagedasemat ülevaatus selleks pädeva isiku poolt.

### 3.0 PAIGALDUS

**3.1 KAVANDAMINE.** Projekteerige enne vastukaalukäru paigaldamist oma kukkumiskaitsesüsteemi lahendus. Kõikide võimalike asjaolude ettenägemisest sõltub teie turvalisus enne kukkumist, kukkumise ajal ja pärast kukkumist. Arvestage kõiki nõudeid, mis on toodud lõigus 2 ja tabelis 1, kui otsustate sobivaima sõiduki ja vastukaalukäru paigutuse.

#### 3.2 MONTEERIMINE JA ÜLESSEADMINE. VT JN 4.

1. Paigutage käru tasasele pinnale. Kontrollige kärul olevaid piirustusloode ja veenduge, et kõik mullid on tsentris.
2. Sisestage aluse pikendustala ükskõik kummale laiendustasku küljele; fikseerige tihvtiga ja pingutage käepidemega kruvi.
3. Sisestage aluse keskosa aluse pikendustalasse ja fikseerige see tihvtiga.
4. Sisestage mõlemad tugiharu koostud aluse keskosasse ja fikseerige tihvtidega.
5. Aluse pikendustala pikkuse reguleerimiseks eemaldage lukustustihvt ning lödvendage käepidemega kruvi, keerates seda vastupäeva.
6. Tõstke aluse eesmist osa väljapoole (kärust eemale).
7. Sisestage lukustustihvt ja pingutage käepidemega kruvi uuesti, keerates seda päripäeva.
8. Loodige süsteem, reguleerides tugiharude otstes olevaid reguleeritavaid jalgu, kuni mull on piirustusloodi keskel.
9. Paigaldage kärule sobiv kogus raskuskettaid (olenevalt sellest, milleks HC taavetsüsteemi kasutatakse). Vt jn 1.
10. Libistage lukustusvõru raskusketaste vastu kõigil 4 raskusketaste torul ning fikseerige, kasutades kuuskantvõtit, et hoida ära raskusketaste liikumine. Vt jn 5.
11. Sisestage lukustustihvt raskusketaste toru otsa. Vt jn 5.

*Tõsteasjad pole kukkumise pidurdamiseks, vaid ainult ülalt tõstmiseks.*

### 4.0 KASUTAMINE

**4.1 ENNE IGA KASUTUSKORDA.** Veenduge, et teie tööala ja personaalne kukkumise pidurdamise süsteem (PFAS) vastavad kõigile lõigus 2 määratletud kriteeriumitele ja et ametlik päästeplaan on juurutatud. Kontrollige vastukaalukäru kooskõlas *kasutajale* mõeldud kontrollitoimingutega lõigus „Ülevaatus ja hoolduspäevik“ (tabel 2). Ärge kasutage süsteemi, kui ülevaatusel leitakse ohtlikke puudusi või defekte. Kõrvaldage süsteem kasutuselt ja hävitage või võtke ühendust ettevõttega 3M, et lasta see välja vahetada või remontida.

#### 4.2 KASUTAMISE AJAL

*Rattad tuleb lukustada.*

*Käru tõstmisel ühendage mõlema tõsteasaga.*

*Kasutamise ja transportimise ajal peavad kõigi 4 toru lukustusvõrud ning -tihvtid olema paigaldatud ja fikseeritud, kui raskused on torudele paigaldatud. Vt jn 5.*

#### 4.3 TRANSPORTIMINE / PÄRAST KASUTAMIST

*Osad tuleb asetada transpordi ajaks käru peale. Vt jn 7.*

*Kasutage kahvliharude pesasid.*

*Kärul on tõsteasjad, et seda oleks võimalik kraanaga tõsta. Tõsteseade tuleb ühendada käru mõlema tõsteasaga.*

### 5.0 ÜLEVAATUS

**5.1 ÜLEVAATUSSAGEDUS.** Vastukaalukäru ülevaatus peab toimuma intervallidega, mis on toodud lõigus 1. Ülevaatus protseduure on kirjeldatud lõigus „Ülevaatus ja hoolduspäevik“ (tabel 2). Kontrollige kõiki muid kukkumiskaitsesüsteemi komponente kooskõlas intervallide ja protseduuridega, mis on toodud tootja juhendites.

**5.2 DEFEKTID.** Kui ülevaatusel leitakse ohtlikke puudusi või defekte, kõrvaldage vastukaalukäru viivitamatult kasutuselt ja võtke ühendust ettevõttega 3M, et lasta see välja vahetada või remontida. Ärge üritage kukkumise pidurdamise süsteemi ise remontida.

**Ainult volitatud remonditööd.** Antud varustuse remontimine on lubatud ainult 3M-ile või kirjalikult volitatud osapooltele.

**5.3 TOOTE KASUTUSIGA.** Kukkumise pidurdamise süsteemi kasutusiga sõltub töötingimustest ja hooldusest. Toodet võib kasutada, kuni see vastab ülevaatuse kriteeriumitele.

## **6.0 HOOLDAMINE, PUHASTAMINE JA HOIUNDAMINE**


**6.1 PUHASTAMINE.** Puhastage vastukaalukäru metallist osi regulaarselt pehme harja, sooja vee ja pehmetoimelise seebilahusega. Loputage osasid põhjalikult puhta veega.

**6.2 REMONTIMINE.** Antud varustuse remontimine on lubatud ainult 3M-ile või kirjalikult volitatud osapooltele. Kui taavetialusele on rakendunud kukkumisjõud või ülevaatusel leitakse ohtlikke puudusi või defekte, kõrvaldage süsteem kasutuselt ja võtke ühendust ettevõttega 3M, et lasta see välja vahetada või remontida.

**6.3 HOIUNDAMINE JA TRANSPORT.** Kui vastukaalukäru ei kasutata, hoiundage ja transportige süsteemi ning kõiki seotud kukkumiskaitsevahendeid jahedas, kuivas ja puhtas keskkonnas ning kaitske neid otsese päikesevalguse eest. Vältige ruume, kus võib olla kemikaalide aure. Pärast pikemat hoiundamist kontrollige komponente põhjalikult.

## **7.0 SILDID**

Vastukaalukäru sildid on näidatud joonisel 8. Kui sildid pole loetavad, tuleb need asendada. Siltidel on toodud järgmine teave.

	Lugege kõiki juhiseid.
①	Vastavus EÜ standarditele
②	Vastab EN1496:2012 katsete nõuetele
③	Vastukaalukäru süsteemi ja raskusketta spetsifikatsioonid
④	Vastavus AS/NZS standarditele
⑤	A) valmistamise aeg (kuu, aasta) B) mudelinumber C) seerianumber
⑥	Käru massi ja raskusketta spetsifikatsioonid
⑦	Ainult tõstmiseks mõeldud aasade hoiatus
⑧	A) maksimaalne taavetsüsteemi sirutusulatus B) materjalide kandevõime kuni 205 kg (452 naela) C) personaalse kukkumise pidurdamise süsteemi (PFAS) maksimaalne pidurdusjõud (MAF) ≤ 6 kN (1350 naela)

**Tabel 3. Ülevaatus- ja hoolduspäevik**

Ülevaatus- ja hoolduspäevik			
Ülevaatus- ja hoolduspäev:		Ülevaataja:	
Komponendid:	Ülevaatus: (Vt lõiku 1 „Ülevaatusintervall“)	Kasutaja	Pädev isik <sup>1</sup>
Vastukaalukäru (jn 1)	Kontrollige vastukaalukäru pragude, mõlkide ja deformatsioonide suhtes.	<input type="checkbox"/>	<input type="checkbox"/>
	Kontrollige kogu süsteemi korrosiooni suhtes.	<input type="checkbox"/>	<input type="checkbox"/>
Sillid (jn 8 ja 9)	Veenduge, et kõik sillid on korralikult kinnitatud ja loetavad (vt lõiku „Sillid“).	<input type="checkbox"/>	<input type="checkbox"/>
PFAS jm varustus	Seinakinnitusega taavetialusega koos kasutatavate personaalse kukkumise pidurdamise süsteemide (PFAS) komponente (rakmed, SRL jms) tuleb paigaldada ja kontrollida kooskõlas tootja juhistega.	<input type="checkbox"/>	<input type="checkbox"/>
<b>Seerianumber/-numbrid:</b>		<b>Ostukuupäev:</b>	
<b>Mudeli number:</b>		<b>Esmase kasutuselevõtmise kuupäev:</b>	
<b>Korrigeeriv toiming/hooldus:</b>		Kinnitanud isik:	
		Kuupäev:	
<b>Korrigeeriv toiming/hooldus:</b>		Kinnitanud isik:	
		Kuupäev:	
<b>Korrigeeriv toiming/hooldus:</b>		Kinnitanud isik:	
		Kuupäev:	
<b>Korrigeeriv toiming/hooldus:</b>		Kinnitanud isik:	
		Kuupäev:	
<b>Korrigeeriv toiming/hooldus:</b>		Kinnitanud isik:	
		Kuupäev:	
<b>Korrigeeriv toiming/hooldus:</b>		Kinnitanud isik:	
		Kuupäev:	
<b>Korrigeeriv toiming/hooldus:</b>		Kinnitanud isik:	
		Kuupäev:	
<b>Korrigeeriv toiming/hooldus:</b>		Kinnitanud isik:	
		Kuupäev:	
<b>Korrigeeriv toiming/hooldus:</b>		Kinnitanud isik:	
		Kuupäev:	
<b>Korrigeeriv toiming/hooldus:</b>		Kinnitanud isik:	
		Kuupäev:	
<b>Korrigeeriv toiming/hooldus:</b>		Kinnitanud isik:	
		Kuupäev:	

**1 Pädev isik:** ülevaatusõigusega pädev isik on isik, kes on pädev hindama olemasolevaid ja ettenähtavaid ohte ümbritsevas töötajakeskkonnas, mis on töötaja jaoks antisanitaarsed või ohtlikud. Pädev isik on volitatud viivitamatult võtma meetmed selliste ohtude kõrvaldamiseks.

**Lue, ymmärrä ja noudata kaikkia näissä ohjeissa olevia turvallisuustietoja ennen ahtaisiin tiloihin menemisen / pelastukseen käytettävän laitteen käyttöä. EDELLÄ MAINITUN LAIMINLYÖNTI VOI JOHTAA VAKAAN LOUKKAANTUMISEEN TAI KUOLEMAAN.**

**Nämä ohjeet tulee antaa näiden varusteiden käyttäjälle. Säilytä nämä ohjeet myöhempää tarvetta varten.**

## Käyttötarkoitus:

Tämä ahtaisiin tiloihin menemisen / pelastukseen käytettävä laite on tarkoitettu käytettäväksi osana täyttä henkilökohtaista putoamisenesto- tai pelastusjärjestelmää.

Muihin tarkoituksiin käyttäminen mm. muiden kuin hyväksytyjen materiaalien käyttökohteissa, virkistys- tai urheilutoimissa tai muissa toiminnoissa, joita ei kuvata käyttöohjeessa tai asennusohjeessa, ei ole 3M:n sallimaa ja saattaa johtaa vakavaan loukkaantumiseen tai kuolemaan.

Tätä laitetta voivat käyttää ainoastaan koulutetut käyttäjät työskentelytarkoituksiin.

## VAROITUS

Tämä ahtaisiin tiloihin menemisen / pelastukseen käytettävä laite on osa henkilökohtaista putoamisenesto- tai pelastusjärjestelmää. Kaikkien käyttäjien odotetaan olevan täysin koulutettuja koko järjestelmän turvallisen asentamisen ja käytön suhteen. **Tämän laitteen väärinkäyttö saattaa johtaa vakavaan loukkaantumiseen tai kuolemaan.** Tietoja asianmukaisesta valinnasta, käytöstä, asennuksesta, ylläpidosta ja huollosta saat tutkimalla kaikkia tuoteohjeita ja kaikkia valmistajan suosituksia, kysymällä esimieheltäsi tai ottamalla yhteyttä 3M:n tekniseen palveluun.

- **Ahtaisiin tiloihin menemisen / pelastukseen käytettävän laitteen kanssa työskentelyyn liittyviä, mahdollisesti vakavan loukkaantumisen tai kuoleman aiheuttavia riskejä voidaan vähentää seuraavin tavoin:**
  - Kaikki järjestelmän komponentit tulee tarkastaa ennen jokaista käyttökertaa, vähintään kerran vuodessa ja jokaisen putoamistapauksen jälkeen. Suorita tarkastus käyttöohjeiden mukaisesti.
  - Jos valtuutetussa tarkastuksessa ilmenee vaarallinen tai viallinen tila, poista laite käytöstä ja korjaa tai vaihda se käyttöohjeiden mukaisesti.
  - Kaikki laitteet, joita on käytetty putoamisen pysäyttämiseen tai joihin on kohdistunut putoamiseneston iskuvoima, on välittömästi poistettava käytöstä. Lisätietoja saa käyttöohjeista tai ottamalla yhteyttä 3M-putoamisenestoon.
  - Laite tulee asentaa ainoastaan asennusohjeissa tai käyttöohjeissa kuvatusti. Muu ohjeen kuvaama asennus tai käyttö tulee hyväksyttäväksi 3M Fall Protectionilla kirjallisesti.
  - Materiaalin tai rakenteen, johon laite kiinnitetään, tulee kannattaa käyttöohjeen tai asennusohjeen laitteelle salliman staattisen kuorman asianmukaisissa suunnissa.
  - Sallittua käyttäjämäärää ei saa ylittää.
  - Älä koskaan työskentele riippuvan kuorman tai työntekijän alapuolella.
  - Ole varovainen asentaessasi, käyttäessäsi ja siirtäessäsi laitetta, sillä liikkuvat osat voivat aiheuttaa mahdollisia puristumisvaaroja. Katso lisätietoja käyttöohjeista.
  - Varmista, että asianmukaista vahinkokäynnistyksen estoa noudatetaan tarpeen mukaan.
  - Älä koskaan kiinnitäydä järjestelmään ennen kuin se on asetettu paikalleen ja täysin koottu, säädetty ja asennettu. Älä säädä järjestelmää käyttäjän ollessa kiinnitettynä siihen.
  - Kytke putoamiseneston alijärjestelmät ainoastaan laitteen niille määrättyihin ankkurointikiinnityskohtiin.
  - Varmista ennen poraamista tai kiinnittämistä, ettei poran tai laitteen kanssa pääse kosketuksiin sähköjohtoja, kaasujohtoja tai muita tärkeitä sisäisiä järjestelmiä.
  - Varmista, että muiden valmistajien komponenteista kootut putoamisenestojärjestelmät/alijärjestelmät ovat yhteensopivia ja täyttävät asianomaisten standardien vaatimukset, mukaan lukien ANSI Z359 tai muut sovellettavat putoamisenestokoodit, -standardit tai -vaatimukset. Ennen näiden järjestelmien käyttöä tulee aina kääntyä pätevän tai pätevoidyn henkilön puoleen.
- **Vähentääksesi korkealla työskentelyyn liittyviä riskejä, jotka mahdollisesti voivat aiheuttaa vakavan loukkaantumisen tai kuoleman:**
  - Varmista, että terveydentilasi ja fyysinen kuntosi on tarpeeksi hyvä, jotta pystyt kestämaan kaikki korkealla työskentelyyn liittyvät voimat. Keskustele lääkärin kanssa, mikäli sinulla on kysyttävää näiden laitteiden käyttöön liittyvistä valmiuksistasi.
  - Älä koskaan ylitä putoamisenestolaitteiden sallittua kapasiteettia.
  - Älä koskaan ylitä putoamisenestolaitteiden vapaan pudotuksen enimmäisetäisyyttä.
  - Älä käytä putoamisenestolaitteita, jotka eivät läpäise ennen käyttöä tehtäviä tai muita suunniteltuja tarkastuksia tai jos olet huolissasi laitteiden käytöstä tai sopivuudesta käyttötarkoitukseen. Jos sinulla on kysyttävää, ota yhteyttä 3M:n tekniseen palveluun.
  - Jotkut alajärjestelmä- ja osayhdistelmät saattavat häiritä tämän laitteen toimintaa. Käytä vain yhteensopivia liitäntöjä. Ota yhteyttä 3M:ään ennen tämän laitteen käyttöä yhdessä sellaisten osien tai alajärjestelmien kanssa, joita ei kuvata tässä käyttöohjeessa.
  - Ota käyttöön ylimääräisiä varotoimenpiteitä työskennellessäsi liikkuvien laitteiden (esim. öljynporaustornien koneistot), sähkövaarojen, korkeiden lämpötilojen, kemiallisten vaarojen, räjähtävien tai myrkyllisten kaasujen tai terävien reunojen läheisyydessä tai mikäli yläpuolellasi on mahdollisesti päällesi tai putoamisenestolaitteen päälle putoavia materiaaleja.
  - Käytä valokaari- tai kuumatyökaluita, kun työskentelet erittäin kuumissa ympäristöissä.
  - Vältä pintoja ja esineitä, jotka voivat vahingoittaa käyttäjää tai laitteita.
  - Varmista, että korkealla työskennellessä käytössä on riittävä putoamiskorkeus.
  - Älä koskaan muokkaa tai muuta putoamisenestolaitetta. Vain 3M tai sen kirjallisesti valtuuttamat tahot saavat tehdä korjauksia tähän laitteeseen.
  - Ennen putoamisenestolaitteiden käyttöä varmista, että käytössä on pelastussuunnitelma, jonka avulla voidaan toteuttaa nopea pelastus putoamistapaturman tapahtuessa.
  - Jos putoamistapaturma tapahtuu, hae välittömästi lääkinnällistä apua pudonneelle työntekijälle.
  - Älä käytä vartaloxyötä putoamisenestosovelluksissa. Käytä ainoastaan kokovartalovaljaita.
  - Minimoi heilahtavan putoamisen mahdollisuus työskentelemällä niin suoraan ankkurointipisteen alla kuin mahdollista.
  - Mikäli laitteella harjoitellaan, on käytettävä toissijaista putoamisenestojärjestelmää tavalla, joka ei altista koulutettavaa henkilöä tahattomalle putoamiselle.
  - Käytä aina asianmukaisia henkilösuojaimia kun asennat, käytät tai tarkastat laitetta/järjestelmää.



Merkitse ennen tämän tuotteen asennusta ja käyttöä tuotteen tunnistustiedot sen tunnusmerkinnästä tämän käyttöoppaan takana olevaan tarkastus- ja kunnossapitolokiin (taulukko 2).

### TUOTEKUVAUS:

Kuvassa 1 näkyy 3M™:n ahtaisiin tiloihin sisäänmenoon / pelastustoimiin tarkoitettu DBI-SALA®-vastapainokärky. Ahtaiden tilojen vastapainokärky on suunniteltu siirrettäväksi järjestelmäksi, joka kootaan ja jota käytetään ahtaisiin tiloihin sisäänmenoon / pelastustoimiin tarkoitettujen, säädettävän siirtymän 3M DBI-SALA -taavettien kanssa yhteensopivilla puomeilla varustettuna. Järjestelmä käyttää 20 kg:n painolevyjä, jotka asetetaan kärkyyn painotelaineisiin. Niitä käytetään vastapainona järjestelmää käytettäessä putoamisen pysäyttämiseen ja pelastustoimiin.

Kuvassa 2 näkyvät taulukossa 1 eriteltyt vastapainokärkyyn osat.

### Taulukko 1 – Tekniset tiedot

Osien tarkat tiedot:		
Kuva 2, viite	Osa	Materiaalit
(A)	jalkaliitos	alumiini – jauhemaalipinta hiiliteräs – sinkitty
(B)	keskiosio	alumiini – jauhemaalipinta suurtiheyspolyetyleni
(C)	alustan jatke	alumiini – jauhemaalipinta hiiliteräs – sinkitty
(D)	haarukkatasku	hiiliteräs – jauhemaalipinta
(E)	jatkeen tasku	alumiini – jauhemaalipinta
(F)	kärryliitos	hiiliteräs – jauhemaalipinta
(G)	työntökahva	vinyyli
(H)	painolevyn lukitusosokka	hiiliteräs – jauhemaalipinta
(I)	lukitusolake	hiiliteräs – jauhemaalipinta
(J)	painoteline	hiiliteräs – jauhemaalipinta
(K)	<b>8000123</b> -20 kg:n painolevy (myydään erikseen)	hiiliteräs – jauhemaalipinta

Vastaa seuraavia eritelmiä, mikäli omia painolevyjä käytetään. Tämän laiminlyönti voi johtaa vakavaan loukkaantumiseen tai kuolemaan.

#### Painolevyjen eritelmä:

Paino	20 kg (45 lbs)	
Tangon aukko	25,4–38,1 mm (1–1,25 tuumaa)	
Paksuus	Enintään 36,5 mm (1,44 tuumaa)	
Halkaisija	Enintään 457,2 mm (18 tuumaa)	

## Taulukko 1 – Tekniset tiedot

<b>Järjestelmän tekniset tiedot:</b>	
<b>Työskentelyalue</b>	Luokitus jalkojen edessä suoritettavia putoamisen pysäyttämistä ja pelastustoimia varten. Ks. kuva 6.
<b>Yhteensopivuus</b>	Tässä käyttöohjeessa kuvatut taavetikannat ovat yhteensopivia lyhyen ja pitkän kantaman suurikantavuuksisten 3M™ DBI-SALA® -taavettijärjestelmien kanssa. Tarvitsee asianmukaisen määrän kuvassa 1 olevia painolevyjä.
<b>Järjestelmän paino</b>	Levyjen kanssa: (20x)-606 kg (1 336 lbs). (36x)-925 kg (2 039 lbs).
	Ilman levyjä: 206 kg (455 lbs)
<b>Mitat</b>	Vastapainokärryn mitat löytyvät kuvasta 3.
<b>Enimmäiskantavuudet:</b>	
<b>Enimmäiskantavuus materiaalien käsittelylle</b>	205 kg (452 lbs)

## 1.0 TUOTTEEN KÄYTTÖKOHDE

- 1.1 TARKOITUS:** Taavettijalustat on suunniteltu kiinnityspisteiksi yhteensopiville 3M:n taavettijärjestelmille. Tietoja järjestelmän käytöstä ja toiminnasta löytyy asiaankuuluvasta taavettijärjestelmän käyttöohjeesta.
- 1.2 STANDARDIT:** Tämä taavettijalusta on näiden ohjeiden etukanteen merkittyjen kansallisten ja alueellisten standardien mukainen. Jos tätä tuotetta jälleenmyydään alkuperäisen kohdemaan ulkopuolella, jälleenmyyjän on toimitettava nämä ohjeet tuotetta käyttävän maan omalla kielellä.
- 1.3 ASENNUS JA VALVONTA:** Taavettijalustan asennuksen tulee tapahtua pätevän henkilön valvonnassa<sup>1</sup>. Pätevöityneen henkilön<sup>2</sup> tulee varmistaa, että kulloinkin kyseessä olevaan rakenteeseen tehtävä asennus vastaa paikallisia ja maakohtaisia säädöksiä. Pätevöityneen henkilön tulee neuvoa asianmukaisten kiinnitinten sekä asianmukaisen taavettijalustan sijoituspaikan valinnassa. Pätevän henkilön tulee valvoa taavetin sekä siihen kiinnitettyjen putoamissuojainten käyttöä.
- 1.4 KÄYTTÖPAIKAN ASIAKIRJAT:** Kun taavettijalustat on koottu ja asennettu, asentajan tulee täyttää standardin EN795:n liitteen A tietovaatimuksia vastaavat asennusasiakirjat ja luovuttaa ne käyttäjän nimeämälle edustajalle. Asennusasiakirjoja tulee säilyttää työpisteessä myöhempiä tarkastuksia varten.
- 1.5 KOULUTUS:** Näiden varusteiden asentajien ja käyttäjien tulee olla koulutettuja oikeanlaista käyttöä varten. Tätä käyttöohjetta voidaan käyttää osana työntekijöiden koulutusohjelmaa ja/tai alueellisia säädöksiä. Varusteen käyttäjien ja asentajien vastuulla on perehtyä näihin ohjeisiin, hankkia koulutusta varusteen asianmukaisissa käyttö- ja huoltotavoissa sekä tuntee varusteen käyttöominaisuudet, käytön rajoitukset ja vääränlaisen käytön aiheuttamat seuraukset.
- 1.6 PELASTUSSUUNNITELMA:** Taavettijalustaa ja siihen liitettyjä putoamissuojaimia käytettäessä on työnantajalla oltava pelastussuunnitelma sekä keinot sen toteuttamiseksi ja suunnitelmasta tiedottamiseksi laitteen käyttäjille. Paikan päällä olevaa koulutettua pelastushenkilöstöä suositellaan. Pelastushenkilöstön jäsenillä tulisi olla hallussaan onnistuneeseen pelastamiseen tarvittavat laitteet ja tekniikka. Pelastushenkilöstön osaaminen tulee varmistaa antamalla koulutusta säännöllisin väliajoin.
- 1.7 TARKASTUSTEN TIHEYS:** Käyttäjän tulee tarkastaa taavettijalusta ennen jokaista käyttökertaa. Tämän lisäksi jonkun toisen pätevän henkilön (muu kuin käyttäjä itse) tulee tarkastaa se vähintään vuoden välein.<sup>3</sup> Tarkastustoimet on kuvattu kohdassa "Tarkastus- ja kunnossapitoloki". Kaikkien pätevän henkilön suorittamien tarkastusten tulokset tulee tallentaa tämän käyttöoppaan lopusta löytyvään "Tarkastus- ja kunnossapitolokiin".

## 2.0 JÄRJESTELMÄVAATIMUKSET

- 2.1 KIINNITYS JA KIINNITTIMET:** Kaikkien taavettijalustan kiinnittämiseen käytettävien tukirakenteiden ja kiinnittimien (mikäli kiinnittimiä käytetään) tulee vastata taulukossa 1 esitettyjä kiinnitysvaatimuksia.
- 2.1 OSIEN YHTEENSOPIVUUS:** 3M-laitteet on tarkoitettu käytettäväksi ainoastaan muiden 3M:n hyväksymien osien ja lisäjärjestelmien kanssa. Osien vaihtaminen ja korvaaminen muihin kuin hyväksytyihin osiin ja alajärjestelmiin voi vaarantaa laitteiston yhteensopivuuden sekä vaikuttaa koko järjestelmän turvallisuuteen ja luotettavuuteen.
- 2.2 PUTOAMISSUOJAINJÄRJESTELMÄ:** Järjestelmän kanssa käytettävien putoamisen pysäyttävien järjestelmien tulee olla sovellettavien putoamissuojaimia koskevien standardien, lakien ja vaatimusten mukainen. Putoamissuojausjärjestelmän tulee sisältää kokovartalovaljaat, ja pysäytysvoima tulee rajoittaa seuraaviin arvoihin:

	Suurin sallittu pysäytysvoima	Vapaa pudotus
Iskunvaimenninköydellä varustettu putoamissuojainjärjestelmä	6 kN	Katso turvaköyden tai itsekelautuvan laitteen ohjeista vapaan pudotuksen rajoitukset.
Itsekelautuvalla laitteella varustettu putoamissuojausjärjestelmä	6 kN	

- 2.3 VAARAT:** Näiden varusteiden käyttö vaarallisissa ympäristöissä voi vaatia ylimääräisiä turvajärjestelyjä, jotta estettäisiin käyttäjän vammautuminen ja varusteiden vahingoittuminen. Tietoja järjestelmän käyttöön mahdollisesti vaikuttavista erityisistä vaaroista löytyy 3M:n taavettimaston ohjeista.

**1 Pätevä henkilö:** Henkilö, joka pystyy tunnistamaan olemassa olevat ja ennustettavat vaaratekijät ympäristössä tai työolosuhteissa, jotka ovat vaarallisia, epähygieenisia tai vaarallisia työntekijöille, ja jolla on valtuudet ryhtyä toimiin niiden poistamiseksi.

**2 Pätevöitynyt henkilö:** Henkilö, jolla on tutkinto tai ammatillinen sertifikaatti sekä kattava kokemus putoamissuojauksesta. Henkilön tulee pystyä suunnittelemaan, analysoimaan, arvioimaan ja määrittelemään putoamissuojauksen.

**3 Tarkastusväli:** Äärimmäiset työolosuhteet (vaativat ympäristöt, pitkäaikainen käyttö jne.) voivat vaatia tarkastusten suorittamista pätevän henkilön toimesta useammin.

### 3.0 ASENNUS

**3.1 SUUNNITTELU:** Putoamissuojausjärjestelmä tulee suunnitella ennen vastapainokärryn asentamista. Ota huomioon kaikki tekijät, jotka voivat vaikuttaa turvallisuuteen ennen putoamista, sen aikana ja sen jälkeen. Kaikki osiossa 2 ja taulukossa 1 mainitut vaatimukset tulee ottaa huomioon selvitettyä oikeaa ajoneuvoa ja sijoituspaikkaa vastapainokärrylle.

**3.2 KOKOAMINEN JA SÄÄDÖT:** Katso kuvaa 4.

1. Aseta kärry tasaiselle pinnalle. Tarkista kärryssä olevien vesivaakojen kuplat ja varmista kuplien olevan keskellä.
2. Pujota alustan jatke jatkotaskun jommallekummalle puolelle; kiinnitä sokalla ja kiristä kolmisakarainen ruuvi.
3. Pujota keskiosio alustan jatkeeseen ja kiinnitä sokalla.
4. Pujota molemmat jalkaliitokset keskiosioon ja kiinnitä sokalla.
5. Jos alustan jatkeen pituutta täytyy säätää, tulee lukitussocka irrottaa ja kolmisakaraista ruuvia tulee löysätä kiertämällä sitä vastapäivään.
6. Laajenna alustan etuosaa ulospäin, kärrystä pois päin.
7. Pujota lukitussocka paikalleen ja kiristä kolmisakarainen ruuvi uudestaan kiertämällä sitä myötäpäivään.
8. Tarkista järjestelmän tasaisuus säätämällä jalkojen liitosten tasausjalkoja, kunnes vesivaakan kupla on keskellä.
9. Lisää kärryyn asianmukainen määrä painolevyjä sen mukaan, mitä korkean kapasiteetin taavettia käytetään. Katso kuvaa 1.
10. Liu'uta lukitusolake painolevyjä vasten kaikilla painotelineen neljällä sivulla. Estä levyjen liikkuminen kiinnittämällä ne kuusiokoloavaimella. Katso kuvaa 5.
11. Pujota lukitussocka painotelineeseen. Katso kuvaa 5.

*Nostorenkaat eivät ole putoamisen pysäyttämistä varten, ainoastaan korkealle nostamista varten.*

### 4.0 KÄYTTÖ

**4.1 ENNEN JOKAISTA KÄYTTÖKERTAA:** Varmista että työskentelyalue ja putoamisenestojärjestelmä täyttävät kaikki osiossa 2 esitetyt vaatimukset, ja että käytössä on pelastussuunnitelma. Vastapainokärry tulee tarkastaa "tarkastus- ja kunnossapitolokissa" (taulukko 2) lueteltujen "käyttäjän" tarkastuspisteiden mukaisesti. Jos järjestelmä todetaan tarkastuksessa turvallisuudelle vaaralliseksi tai vialliseksi, ei sitä saa käyttää. Poista järjestelmä käytöstä, hävitä se ja ota yhteyttä 3M:ään korvaavan tuotteen tai korjauksen järjestämiseksi.

**4.2 KÄYTÖN AIKANA:**

*Tukipyörä tulee lukita.*

*Kärryä nostettaessa tulee kytkeä molemmat renkaat.*

*Kiristysholkki ja rengassokka tulee kiinnittää ja kytkeä sen jälkeen, kun painot on asetettu telineisiin kaikilla neljällä sivulla käytön ja kuljetuksen aikana. Katso kuvaa 5.*

**4.3 KULJETUKSEN AIKANA / KÄYTÖN JÄLKEEN:**

*Osia tulee säilyttää kärryssä kuljetuksen aikana. Ks. kuvaa 7.*

*Lisää mukaan haarukkatrukkitaskut.*

*Kärryssä on siltanosturin kanssa käytettäväksi tarkoitetut nostorenkaat. Nostolaite tulee kytkeä kärryn molempiin nostorenkaisiin.*

### 5.0 TARKASTUS

**5.1 TARKASTUSVÄLI:** Vastapainokärry tulee tarkastaa kohdassa 1 annettujen tarkastusvälien mukaisesti. Tarkastustoimenpiteet on kuvattu "Tarkastus- ja kunnossapitolokissa" (taulukko 2) Tarkasta kaikki muut putoamissuojausjärjestelmän osat valmistajan ohjeissa määrättyjen tarkastusvälien ja menettelyjen mukaisesti.

**5.2 VIAT:** Mikäli tarkastuksessa käy ilmi, että vastapainokärry on vaarallinen tai viallinen, tulee se poistaa käytöstä välittömästi ja ottaa yhteyttä 3M:ään korvaavan osan tai korjauksen järjestämiseksi. Älä yritä korjata putoamisenestojärjestelmää itse.

**Vain valtuutetut huollot:** *Vain 3M tai sen kirjallisesti valtuuttamat tahot saavat tehdä korjauksia tähän laitteeseen.*

**5.3 TUOTTEEN KÄYTTÖIKÄ:** Putoamisenestojärjestelmän toiminnallinen ikä määräytyy käyttöolosuhteiden ja huollon mukaan. Tuotetta voidaan käyttää niin kauan kuin se läpäisee tarkastuskriteerit.

## **6.0 HUOLTO, KUNNOSSAPITO JA SÄILYTYS**


**6.1 PUHDISTUS:** Vastapainokärryn metalliosat tulee puhdistaa säännöllisesti pehmeällä harjalla, lämpimällä vedellä ja miedolla saippualliuoksella. Varmista, että osat huuhdellaan huolellisesti puhtaalla vedellä.

**6.2 HUOLTO:** Vain 3M tai sen kirjallisesti valtuuttamat tahot saavat tehdä korjauksia tähän laitteeseen. Mikäli taavettijalustaan on kohdistunut putoamisvoimaa tai tarkastuksessa käy ilmi, että se on vaarallinen tai viallinen, tulee se poistaa käytöstä ja ottaa yhteyttä 3M:ään korvaavan osan tai korjauksen järjestämiseksi.

**6.3 SÄILYTYS JA KULJETUS:** Kun vastapainokärry ei ole käytössä, varustetta ja siihen liittyviä putoamissuojauslaitteita tulee säilyttää viileässä, kuivassa ja puhtaassa ympäristössä suojassa suoralta auringonvalolta. Myös kuljetuksen tulee tapahtua edellä mainituissa olosuhteissa. Vältä alueita, joilla saattaa esiintyä kemiallisia höyryjä. Osat tulee tarkastaa huolellisesti pitkän säilytysajan jälkeen.

## **7.0 MERKINNÄT**

Kuvassa 8 näkyvät vastapainokärryyn kiinnitetyt merkinnät. Merkinnät tulee uusia, jos ne eivät ole täysin luettavissa. Kaikissa merkinnöissä on seuraavat tiedot:

	Lue kaikki ohjeet.
①	CE-standarditodistus
②	Vastaa standardin EN1496:2012 testausvaatimuksia
③	Vastapainokärryjärjestelmän ja levyjen eritelmä
④	AS/NZS-standarditodistus
⑤	A) valmistettu (vuosi, kuukausi) B) mallinumero C) sarjanumero
⑥	Kärryn painon ja levyjen eritelmät
⑦	"Vain nostokäyttö" -varoitusta
⑧	A) suurin sallittu taavetin varren poikkeama B) materiaalien käsittelyn luokitus 205 kg (452 lbs) C) suurin sallittu putoamissuojausjärjestelmän pysäytysvoima ≤ 6 kN (1 350 lbs)

### Taulukko 3 – tarkastus- ja kunnossapitoloki

Tarkastuspäivä:		Tarkistanut:	
Komponentit:	Tarkastus: <small>(Katso tarkastusten tiheys osiosta 1)</small>	Käyttjä	Pätevä henkilö <sup>1</sup>
Vastapainokärry (kuva 1)	Tarkasta, ettei vastapainokärryssä ole halkeamia, lommoja tai epämuodostumia.	<input type="checkbox"/>	<input type="checkbox"/>
	Tarkasta, ettei laitteessa näy syöpmisen merkkejä.	<input type="checkbox"/>	<input type="checkbox"/>
Merkinnät (kuvat 8 ja 9)	Varmista että kaikki merkinnät ovat kunnolla kiinni ja lukukelpoisia (katso "Merkinnät")	<input type="checkbox"/>	<input type="checkbox"/>
Putoamisenestojärjestelmät ja muut laitteet	Seinäkiinnitteisen taavettijalustan kanssa käytettävät putoamissuojajärjestelmien lisävarusteet (valjaat, itsekelautuvat laitteet jne.) tulee asentaa ja tarkastaa valmistajan ohjeiden mukaan.	<input type="checkbox"/>	<input type="checkbox"/>

<b>Sarjanumero(t):</b>	<b>Ostopäivämäärä:</b>
<b>Mallinumero:</b>	<b>Ensimmäisen käyttökerran päivämäärä:</b>

<b>Korjaava toimi / kunnossapito:</b>	Hyväksyjä:
	Päivämäärä:
<b>Korjaava toimi / kunnossapito:</b>	Hyväksyjä:
	Päivämäärä:
<b>Korjaava toimi / kunnossapito:</b>	Hyväksyjä:
	Päivämäärä:
<b>Korjaava toimi / kunnossapito:</b>	Hyväksyjä:
	Päivämäärä:
<b>Korjaava toimi / kunnossapito:</b>	Hyväksyjä:
	Päivämäärä:
<b>Korjaava toimi / kunnossapito:</b>	Hyväksyjä:
	Päivämäärä:
<b>Korjaava toimi / kunnossapito:</b>	Hyväksyjä:
	Päivämäärä:
<b>Korjaava toimi / kunnossapito:</b>	Hyväksyjä:
	Päivämäärä:
<b>Korjaava toimi / kunnossapito:</b>	Hyväksyjä:
	Päivämäärä:
<b>Korjaava toimi / kunnossapito:</b>	Hyväksyjä:
	Päivämäärä:
<b>Korjaava toimi / kunnossapito:</b>	Hyväksyjä:
	Päivämäärä:
<b>Korjaava toimi / kunnossapito:</b>	Hyväksyjä:
	Päivämäärä:

**1 Pätevä henkilö:** Henkilö, joka pystyy tunnistamaan olemassa olevat ja ennustettavat vaaratekijät ympäristössä tai työolosuhteissa, jotka ovat vaarallisia, epähygieenisiä tai vaarallisia työntekijöille, ja jolla on valtuudet ryhtyä toimiin niiden poistamiseksi.

# CONSIGNES DE SÉCURITÉ

**Veillez lire, comprendre et suivre toutes les consignes de sécurité contenues dans ces instructions avant d'utiliser ce dispositif d'accès à un espace confiné/dispositif de sauvetage. LE NON-RESPECT DE CES INSTRUCTIONS PEUT CAUSER DES BLESSURES GRAVES OU LA MORT.**

**Ces instructions doivent être transmises à l'utilisateur de cet équipement. Conservez ces instructions pour vous y référer ultérieurement.**

## Utilisation prévue :

Ce dispositif d'accès à un espace confiné/dispositif de sauvetage est conçu pour être utilisé comme élément d'un système antichute individuel ou d'un équipement de sauvetage complet.

Toute utilisation pour d'autres applications, y compris, mais sans s'y limiter, des applications de manutention de matériaux non approuvées, des activités de loisirs ou sportives, ou d'autres activités non décrites dans les instructions d'utilisation ou les instructions d'installation, n'est pas approuvée par 3M et pourrait entraîner des blessures graves ou mortelles.

Ce dispositif ne doit être utilisé que par des utilisateurs formés pour des applications sur le lieu de travail.



## AVERTISSEMENT

Ce dispositif d'accès à un espace confiné/dispositif de sauvetage fait partie d'un système antichute individuel ou d'un équipement de sauvetage complet. Tous les utilisateurs doivent être solidement formés à l'installation et au fonctionnement sécurisés du système complet. **Une mauvaise utilisation de ce dispositif pourrait entraîner des blessures graves ou être mortelle.** Pour ne faire aucune erreur dans la sélection, le fonctionnement, l'installation, la maintenance et l'entretien, suivez toutes les instructions fournies avec le produit et toutes les recommandations du fabricant, consultez votre superviseur ou contactez le service technique 3M.

- **Pour réduire les risques associés à l'utilisation d'un dispositif d'accès à un espace confiné/dispositif de sauvetage qui, s'ils ne sont pas évités, pourraient entraîner des blessures graves ou mortelles :**
  - Inspectez le dispositif avant chaque utilisation, au moins une fois par an, et après chaque chute. Procédez à l'inspection conformément aux instructions d'utilisation.
  - Si l'inspection effectuée fait apparaître un défaut ou un danger, retirez immédiatement le dispositif du service et réparez-le ou remplacez-le en respectant les instructions d'utilisation.
  - Si le dispositif a été soumis à des forces d'arrêt de chute ou d'impact, il doit être immédiatement mis hors service. Consultez les instructions d'utilisateur ou contactez le service de protection antichute 3M.
  - Le dispositif doit être installé uniquement de la manière décrite dans les instructions d'installation ou les instructions d'utilisation. Les installations et utilisations non conformes aux instructions doivent être approuvées en contactant par écrit le service de Protection antichute 3M.
  - Le substrat auquel ou la structure à laquelle le dispositif est fixé doit être capable de résister aux charges statiques spécifiées pour le dispositif dans les orientations autorisées indiquées dans les instructions d'utilisation ou les instructions d'installation.
  - Ne dépassez pas le nombre d'utilisateurs autorisés.
  - Ne travaillez jamais en dessous d'une charge ou d'un ouvrier suspendu.
  - Soyez vigilant(e) au cours de l'installation, de l'utilisation et du déplacement du dispositif, car les pièces en mouvement peuvent créer des points de pincement potentiels. Consultez le mode d'emploi.
  - Vérifiez que les procédures adéquates de verrouillage/d'étiquetage ont été appliquées.
  - Ne fixez jamais le dispositif à un système avant qu'il ne soit positionné, entièrement assemblé, ajusté et installé. N'ajustez pas le système lorsqu'un utilisateur y est attaché.
  - Ne reliez que les sous-systèmes de protection antichute au point du connecteur d'ancrage désigné sur le dispositif.
  - Avant de procéder au perçage ou à la fixation, vérifiez qu'aucune ligne électrique, conduite de gaz ou tout autre système critique intégré ne sera touché par la perceuse ou le dispositif.
  - Assurez-vous que les systèmes/sous-systèmes antichute assemblés avec des composants provenant de divers fabricants sont compatibles et respectent les exigences des normes applicables, y compris la norme ANSI Z359 ou d'autres codes, normes ou contraintes de protection contre les chutes. Consultez systématiquement une personne compétente ou qualifiée avant l'utilisation de ces systèmes.
- **Pour réduire les risques associés au travail en hauteur qui, faute de protection, peuvent entraîner des blessures graves ou mortelles :**
  - Assurez-vous que votre santé et votre condition physique vous permettent de supporter en toute sécurité les forces associées au travail en hauteur. Consultez votre médecin si vous avez des questions concernant votre aptitude à utiliser cet équipement.
  - Ne dépassez jamais les limites autorisées pour votre équipement antichute.
  - Ne dépassez jamais la distance de chute libre maximale de votre équipement antichute.
  - N'utilisez aucun équipement antichute qui n'a pas satisfait aux inspections avant utilisation ou aux autres inspections programmées, ou si vous avez des préoccupations concernant l'utilisation ou la compatibilité de l'équipement avec votre application. Contactez les services techniques de 3M si vous avez des questions.
  - Certaines combinaisons de sous-systèmes et de composants peuvent gêner le fonctionnement de cet équipement. Utilisez uniquement des raccords compatibles. Consultez 3M avant d'utiliser cet équipement conjointement avec des composants ou des sous-systèmes autres que ceux décrits dans les instructions d'utilisation.
  - Soyez particulièrement vigilant(e) lorsque vous travaillez autour de machines en mouvement (par exemple, les mécanismes d'entraînement par le haut des plates-formes pétrolières), en cas de risques électriques, de températures extrêmes, de risques chimiques, en présence de gaz explosifs ou toxiques, d'arêtes vives, ou de matériaux suspendus pouvant tomber sur vous ou sur l'équipement de protection antichute.
  - Utilisez des dispositifs de protection contre les arcs électriques ou conçus pour le travail à température élevée dans les environnements à chaleur intense.
  - Évitez les surfaces et les objets qui peuvent endommager l'utilisateur ou l'équipement.
  - Vérifiez que vous disposez d'une distance d'arrêt adaptée lorsque vous travaillez en hauteur.
  - Ne modifiez ni n'altérez jamais votre équipement antichute. Seul 3M ou les parties agréées par écrit par 3M peuvent réparer cet équipement.
  - Avant l'utilisation d'un équipement antichute, vérifiez qu'un plan de sauvetage est mis en place et qu'il permettra d'effectuer un sauvetage rapide si une chute se produit.
  - En cas de chute, faites immédiatement intervenir un médecin auprès du travailleur qui est tombé.
  - N'utilisez pas de ceinture de travail pour les applications de prévention des chutes. Utilisez uniquement un harnais intégral.
  - Réduisez le risque d'effets pendulaires en travaillant autant que possible directement sous le point d'ancrage.
  - Lors de la formation à l'utilisation de ce dispositif, vous devez utiliser un système antichute secondaire afin de ne pas exposer la personne formée à un risque de chute involontaire.
  - Portez toujours un équipement de protection individuelle approprié lors de l'installation, de l'utilisation ou de l'examen du dispositif/système.

Avant d'installer et d'utiliser cet équipement, consigner les informations d'identification du produit, indiquées sur l'étiquette d'identification, dans le Journal d'inspection et d'entretien (Tableau 2) qui figure au dos du présent manuel.

## DESCRIPTION DU PRODUIT :

La figure 1 illustre le chariot à contrepoids 3M™ DBI-SALA® d'entrée en espace confiné/de sauvetage. Le chariot à contrepoids pour espace confiné est conçu pour être un dispositif portable à installer et à utiliser avec un mât de potences 3M DBI-SALA à déport variable d'entrée en espace confiné/de sauvetage. Le dispositif utilise des poids de 20 kg placés sur les supports de poids du chariot qui sera utilisé comme contrepoids pour le système utilisé comme dispositif antichute et de sauvetage.

La figure 2 illustre les composants du chariot à contrepoids spécifiés dans le tableau 1.

**Tableau 1 – Spécifications**

Spécifications des composants :		
Figure 2 Référence	Composant	Matériaux
(A)	Pieds	Aluminium thermolaqué Acier au carbone galvanisé
(B)	Section centrale	Aluminium thermolaqué Polyéthylène haute densité
(C)	Extension de la base	Aluminium thermolaqué Acier au carbone galvanisé
(D)	Passages de fourches	Acier au carbone thermolaqué
(E)	Passage d'extension	Aluminium thermolaqué
(F)	Assemblage du chariot	Acier au carbone thermolaqué
(G)	Poignée de poussée	Vinyle
(H)	Goupille de verrouillage du poids	Acier au carbone thermolaqué
(I)	Bride de verrouillage	Acier au carbone thermolaqué
(J)	Support de poids	Acier au carbone thermolaqué
(K)	<b>8000123</b> -poids de 20 kg (vendu séparément)	Acier au carbone thermolaqué

Répondre aux spécifications suivantes si vous fournissez vos propres poids. Le non-respect de ces instructions entraînera des blessures graves ou même la mort.

### Spécifications des poids :

Poids	20 kg (45 lb)	
Ouverture de la barre	25,4 mm (1 po) - 38,1 mm (1,25 po)	
Épaisseur	Maximum 36,5 mm (1,44 po)	
Diamètre	Maximum 457,2 mm (18 po)	



## Tableau 1 – Spécifications

<b>Spécifications du système :</b>	
<b>Zone de travail</b>	Calibré pour un dispositif antichute et de sauvetage devant les pieds. Voir la figure 6.
<b>Compatibilité</b>	Les bases de potence couvertes par les présentes instructions sont compatibles avec les systèmes de potence haute capacité (HC) 3M™ DBI-SALA® à courte et longue portée. Nécessite la bonne quantité de poids illustrée figure 1.
<b>Poids du dispositif</b>	Avec poids : (20x)-606 kg (1336 lb). (36x)-925 kg (2039 lb).
	Sans poids : 206 kg (455 lb)
<b>Dimensions</b>	Voir figure 3 pour les dimensions du chariot à contrepoids.
<b>Capacités pondérales :</b>	
<b>Capacité de manipulation des matériaux</b>	205 kg (452 livres)

## 1.0 APPLICATION PRODUIT

- 1.1 OBJECTIF :** Les bases de potence sont des points de montage conçus pour les systèmes de potence 3M compatibles. Consulter les instructions correspondant au système de potence pour l'utilisation du système et son fonctionnement.
- 1.2 NORMES :** Cette base de potence est conforme aux normes nationales ou régionales présentées sur la page de couverture des présentes instructions. Si ce produit est revendu en dehors du pays de destination d'origine, le revendeur doit fournir ces instructions dans la langue du pays où il sera utilisé.
- 1.3 INSTALLATION ET SUPERVISION :** L'installation de la base de potence doit être supervisée par une personne compétente<sup>1</sup>. Une personne qualifiée<sup>2</sup> doit vérifier que l'installation de la structure est conforme aux réglementations locales et fédérales. Une personne qualifiée doit recommander les fixations appropriées et le positionnement adéquat de la base de potence. L'utilisation de la potence et de l'équipement de protection antichute joint doit être supervisée par une personne compétente.
- 1.4 DOCUMENTATION DU SITE :** après l'assemblage et l'installation des bases de potence, la documentation d'installation répondant aux exigences informationnelles de la norme EN 795 annexe A, doit être remplie par l'installateur et transmise au représentant désigné par l'utilisateur. La documentation d'installation doit être conservée sur le chantier à des fins d'examens ultérieurs.
- 1.5 FORMATION :** Cet équipement doit être installé et utilisé par des personnes formées à cet effet. Ce manuel peut être utilisé dans le cadre d'un programme de formation des employés et/ou de réglementations régionales. Il relève de la responsabilité des utilisateurs et des installateurs de cet équipement de s'assurer qu'ils se sont familiarisés avec ces instructions, qu'ils ont été formés à l'entretien et à l'utilisation corrects du matériel et qu'ils ont connaissance des caractéristiques de fonctionnement, des limites d'application et des conséquences d'une mauvaise utilisation.
- 1.6 PLAN DE SAUVETAGE :** pour utiliser la base de potence et l'équipement de protection antichute connecté, l'employeur doit disposer d'un plan de sauvetage et de moyens disponibles pour le mettre en place et le communiquer aux utilisateurs. Il est recommandé de mettre en place une équipe adéquatement formée, de sauvetage sur site. Il conviendra de mettre à la disposition des membres de l'équipe l'équipement et les moyens techniques nécessaires à la bonne exécution d'une opération de sauvetage. La formation devra être dispensée sur une base régulière afin de garantir le niveau de compétence du sauvetage.
- 1.7 FRÉQUENCE D'INSPECTION :** La base de potence doit être inspectée par l'utilisateur avant chaque utilisation et par ailleurs, par une personne compétente autre que l'utilisateur, à des intervalles d'un an au plus.<sup>3</sup> Les procédures d'inspection sont décrites dans le « *Journal d'inspection et d'entretien* ». Les résultats de chaque inspection effectuée par une personne compétente doivent être enregistrés dans des exemplaires du « *Journal d'inspection et d'entretien* ».

## 2.0 CARACTÉRISTIQUES DU SYSTÈME

- 2.1 ANCRAGE ET FIXATIONS :** Toute structure et toute fixation (fixations le cas échéant) utilisées pour fixer la base de potence doivent répondre à la « configuration de montage » définie dans le tableau 1.
- 2.1 COMPATIBILITÉ DES COMPOSANTS :** L'équipement 3M est conçu pour être utilisé uniquement avec d'autres composants et sous-systèmes agréés 3M. La substitution ou le remplacement de pièces par des composants ou des sous-composants non approuvés peut compromettre la compatibilité de l'équipement et affecter la sécurité et la fiabilité de l'ensemble du système.
- 2.2 ÉQUIPEMENT DE PROTECTION INDIVIDUELLE (EPI) ANTICHUTE :** Les équipements de protection individuelle (EPI) antichute utilisés avec le système doivent être conformes aux normes, codes et réglementations applicables en matière de protection contre les chutes. L'EPI doit utiliser un harnais intégral et limiter la force d'arrêt aux valeurs suivantes :

	Force d'arrêt maximale	Chute libre
Équipement de protection individuelle (EPI) antichute avec longe antichute	6 kN (1350 lb)	Vous trouverez les limites de chute libre dans l'instruction ou les instructions de votre longe ou de votre dispositif antichute à rappel automatique.
Équipement de protection individuelle (EPI) antichute avec dispositif antichute à rappel automatique (Self Retracting Device, SRD)	6 kN (1350 lb)	

- 2.3 DANGERS :** L'utilisation de cet équipement dans des zones à risque environnemental peut nécessiter des précautions supplémentaires pour éviter tout risque de blessures corporelles de l'utilisateur ou de dommages matériels. Consultez les instructions du mât à potence 3M sur les dangers spécifiques susceptibles d'affecter l'utilisation du système.

<sup>1</sup> **Personne compétente :** Personne capable d'identifier des dangers existants et prévisibles dans les milieux de travail, ou des conditions de travail non hygiéniques ou dangereuses pour les ouvriers, et ayant l'autorisation de prendre des mesures correctives rapides pour les éliminer.

<sup>2</sup> **Personne qualifiée :** Individu qui possède un diplôme reconnu ou un certificat professionnel, et qui bénéficie d'une vaste expérience dans la protection contre les chutes. Cet individu doit être capable de maîtriser la conception, l'analyse, l'évaluation et les spécifications en matière de protection contre les chutes.

<sup>3</sup> **Fréquence d'inspection :** des conditions de travail extrêmes (environnement hostile, utilisation prolongée, etc.) peuvent nécessiter des inspections plus fréquentes par une personne compétente.

### 3.0 INSTALLATION

**3.1 PRÉPARATION :** Préparer votre système de protection contre les chutes avant d'installer le chariot à contrepoids. Prendre en compte tous les facteurs qui pourraient affecter la sécurité avant, pendant et après une chute. Tenir compte de toutes les exigences définies dans la section 2 et le tableau 1 afin de déterminer le véhicule approprié et l'emplacement du chariot à contrepoids.

**3.2 ASSEMBLAGE ET INSTALLATION :** Voir la figure 4.

1. Placer le chariot sur une surface plane. Vérifier les bulles de niveau sur le chariot et s'assurer qu'elles sont centrées.
2. Insérer l'extension de la base dans l'un des côtés de la poche d'extension ; goupiller en place et serrer les trois vis.
3. Insérer la section centrale dans l'extension de la base et goupiller en place.
4. Insérer les deux pieds dans la section centrale et goupiller en place.
5. Pour ajuster la longueur de l'extension de la base, retirer la goupille de verrouillage et desserrer les trois vis en tournant dans le sens inverse des aiguilles d'une montre.
6. Étirer la section frontale de la base vers l'extérieur en l'éloignant du chariot.
7. Insérer la goupille de verrouillage et resserrer les trois vis en tournant dans le sens des aiguilles d'une montre.
8. Mettre le système de niveau en ajustant les pieds de réglage sur les pieds jusqu'à ce que la bulle de niveau soit centrée.
9. Ajouter la quantité appropriée de poids au chariot en fonction de la potence HC utilisée. Se reporter à la Figure 1.
10. Faire glisser la bride de verrouillage contre les poids sur les 4 côtés du support de poids et fixer à l'aide d'une clé hexagonale afin d'empêcher les poids de bouger. Voir la figure 5.
11. Insérer la goupille de verrouillage dans le support de poids. Voir la figure 5.

*Les anneaux de levage ne sont pas destinés à l'arrêt des chutes, mais uniquement au levage au-dessus du niveau de la tête.*

### 4.0 UTILISATION

**4.1 AVANT CHAQUE UTILISATION :** Vérifier que la zone de travail et l'équipement de protection individuelle (EPI) antichute répondent à tous les critères définis dans la Section 2 et qu'un plan de sauvetage officiel est mis en place. Inspecter le chariot à contrepoids conformément aux consignes d'inspection « *Utilisateur* » figurant dans le « *Journal d'inspection et d'entretien* » (tableau 2). Ne pas utiliser le système si l'inspection révèle une condition dangereuse ou défectueuse. Retirer le système du service et le détruire ou contacter 3M pour effectuer une réparation, ou un remplacement.

**4.2 PENDANT L'UTILISATION :**

*La roulette pivotante doit être verrouillée.*

*Connecter les deux anneaux lors du levage du chariot.*

*L'arbre de la bride et la goupille de sécurité doivent être verrouillés et enclenchés une fois que les poids ont été placés sur les supports sur les 4 côtés pendant l'utilisation et le transport. Voir la figure 5.*

**4.3 TRANSPORT/APRÈS UTILISATION :**

*Les pièces doivent être rangées sur le chariot pendant le transport. Voir la figure 7.*

*Inclure les passages de chariot élévateur.*

*Le chariot comprend des anneaux de levage à utiliser avec la grue. Le dispositif de levage doit être connecté aux deux anneaux de levage situés sur le chariot.*

### 5.0 INSPECTION

**5.1 FRÉQUENCE D'INSPECTION :** Le chariot à contrepoids doit être inspecté aux intervalles définis à la section 1. Les procédures d'inspection sont décrites dans le « *Journal d'inspection et d'entretien* » (tableau 2). Inspecter tous les autres éléments du système de protection antichute conformément aux fréquences et procédures définies dans les instructions du fabricant.

**5.2 DÉFAUTS :** Si l'inspection révèle un état dangereux ou défectueux, mettre immédiatement hors service le chariot à contrepoids et contacter 3M pour effectuer un remplacement ou une réparation. Ne pas essayer de réparer le dispositif antichute.

**Les réparations doivent être effectuées par les réparateurs agréés uniquement** : Seul 3M ou les parties agréées par écrit peuvent réparer cet équipement.

**5.3 DURÉE DE VIE DU PRODUIT** : La durée de vie fonctionnelle du dispositif antichute est déterminée par les conditions de travail et l'entretien. Le produit peut rester en service tant qu'il répond aux critères d'inspection.

## **6.0 ENTRETIEN, RÉVISION ET RANGEMENT**


**6.1 NETTOYAGE** : Nettoyer régulièrement les composants métalliques du chariot à contrepoids avec une brosse douce, de l'eau chaude et une solution légèrement savonneuse. Veiller à rincer les pièces abondamment à l'eau claire.

**6.2 RÉVISION** : Seule la société 3M ou les parties agréées par écrit par 3M peuvent réparer cet équipement. Si la base de potence a été soumise à une force suite à une chute ou si l'inspection révèle un état dangereux ou défectueux, mettre immédiatement le système hors service et contacter 3M pour effectuer un remplacement ou une réparation.

**6.3 STOCKAGE ET TRANSPORT** : Lorsque le chariot à contrepoids n'est pas utilisé, le ranger et le transporter avec ses accessoires de protection antichute dans un endroit frais, sec et propre, à l'abri des rayons du soleil. Éviter les endroits pouvant contenir des vapeurs chimiques. Inspecter soigneusement les pièces après une période de stockage prolongée.

## **7.0 ÉTIQUETTES**

La figure 8 illustre les étiquettes présentes sur le chariot à contrepoids. Les étiquettes doivent être remplacées si elles ne sont pas parfaitement lisibles. Les informations présentes sur chaque étiquette sont les suivantes :

	Lire toutes les instructions.
①	Certification de conformité aux normes CE
②	Répond aux exigences de test de la norme EN1496:2012
③	Spécifications du système de chariot à contrepoids et de la plaque
④	Conformité aux normes AS/NZS
⑤	A) Date de fabrication (année, mois) B) Numéro de modèle C) Numéro de série
⑥	Poids du chariot et spécifications de la plaque
⑦	Avertissement de levage seulement
⑧	A) Décalage maximal du bras B) Capacité pour la manipulation du matériel de 205 kg (452 lb) C) Force d'arrêt maximale (Maximum Arresting Force, MAF) de l'équipement de protection individuelle antichute (EPI) $\leq 6$ kN (1 350 lb)

**Tableau 3 – Journal d’inspection et d’entretien**

Date d’inspection :		Inspection par :	
Composants :	Inspection : (Reportez-vous à la Section 1 pour connaître la fréquence des inspections)	Utilisateur	Personne compétente <sup>1</sup>
Chariot à contrepoids (figure 1)	Inspecter le chariot à contrepoids à la recherche de fissures, entailles ou déformations.	<input type="checkbox"/>	<input type="checkbox"/>
	Inspecter l’ensemble de l’unité à la recherche de traces de corrosion.	<input type="checkbox"/>	<input type="checkbox"/>
Étiquettes (figures 8 et 9)	Vérifier que toutes les étiquettes sont correctement fixées et lisibles (voir « Étiquettes »)	<input type="checkbox"/>	<input type="checkbox"/>
EPI et autre matériel	Tout équipement de protection individuelle (EPI) antichute supplémentaire (harnais, antichute à rappel automatique (SRL), etc.) utilisé avec la base de potence doit être installé et inspecté conformément aux instructions du fabricant.	<input type="checkbox"/>	<input type="checkbox"/>
<b>Numéro(s) de série :</b>		<b>Date d’achat :</b>	
<b>Numéro de modèle :</b>		<b>Date de la première utilisation :</b>	
<b>Mesures correctives/entretien :</b>		Approuvé par :	
		Date :	
<b>Mesures correctives/entretien :</b>		Approuvé par :	
		Date :	
<b>Mesures correctives/entretien :</b>		Approuvé par :	
		Date :	
<b>Mesures correctives/entretien :</b>		Approuvé par :	
		Date :	
<b>Mesures correctives/entretien :</b>		Approuvé par :	
		Date :	
<b>Mesures correctives/entretien :</b>		Approuvé par :	
		Date :	
<b>Mesures correctives/entretien :</b>		Approuvé par :	
		Date :	
<b>Mesures correctives/entretien :</b>		Approuvé par :	
		Date :	
<b>Mesures correctives/entretien :</b>		Approuvé par :	
		Date :	
<b>Mesures correctives/entretien :</b>		Approuvé par :	
		Date :	
<b>Mesures correctives/entretien :</b>		Approuvé par :	
		Date :	

<sup>1</sup> **Personne compétente** : Personne capable d’identifier des dangers existants et prévisibles dans les milieux de travail ou des conditions de travail non hygiéniques, ou dangereuses pour les ouvriers, et ayant l’autorisation de prendre des mesures correctives rapides pour les éliminer.

## ÖRYGGISUPPLÝSINGAR

Vinsamlegast lestu, hafðu skilning á og fylgdu öllum öryggisupplýsingum sem eru í þessum leiðbeiningum áður en þessi búnaður fyrir inngöngu í lokað rými/björgunarbúnaður er notaður. EF LEIÐBEININGUM ÞESSUM ER EKKI FYLGT EFTIR, GETUR ÞAÐ VALDIÐ ALVARLEGUM MEÐSLUM, LÍKAMSTJÓNI EÐA DAUÐA.

Leiðbeiningar þessar verður að afhenda notanda þessa búnaðar. Geymdu þessar leiðbeiningar til að styðjast við í framtíðinni.

### Tilætluð notkun:

Þessi búnaður fyrir inngöngu í lokað rými/björgunarbúnaður er ætlaður til notkunar sem hluti af persónulegu fallstöðvunarkerfi eða björgunarkerfi.

Öll önnur notkun, þ.m.t., en takmarkast ekki við, ósamþykkt meðhöndlun efna, notkun í afþreyingar- eða íþróttaskyni eða önnur notkun sem ekki er lýst í notendaleiðbeiningum eða uppsetningarleiðbeiningum, er ekki samþykkt af 3M og gæti valdið alvarlegum meiðslum eða dauða.

Einungis þjálfaðir notendur á vinnustað skulu nota þennan búnað.

## VIÐVÖRUN

Þessi búnaður fyrir inngöngu í lokað rými/björgunarbúnaður er hluti af fallstöðvunarkerfi eða björgunarkerfi. Ætlast er til að allir notendur séu fullþjálfaðir í öruggri uppsetningu og notkun alls kerfisins. **Röng notkun þessa búnaðar getur valdið alvarlegum meiðslum eða dauða.** Til að geta framkvæmt rétt val, notkun, viðhald og þjónustu, skaltu lesa allar leiðbeiningar um vöru og allar ráðleggingar framleiðanda, ræddu við yfirmann þinn eða hafðu samband við tæknilega þjónustu 3M.

- **Til að lágmarka þá áhættu sem tengist því að vinna með búnað fyrir inngöngu í lokað rými/björgunarbúnað sem getur, í versta falli, valdið alvarlegu líkamstjóni eða dauða, skal gera eftirfarandi:**
  - Skoðaðu búnaðinn fyrir sérhverja notkun, a.m.k. árlega og ef fall hefur átt sér stað. Skoðaðu í samræmi við notendaleiðbeiningarnar.
  - Ef skoðunin leiðir óruggt ástand eða galla í ljós, skal taka búnaðinn úr umferð og gera við hann eða endurnýja í samræmi við notendaleiðbeiningar.
  - Allan búnað sem hefur verið notaður í falli eða orðið fyrir miklu höggi þarf umsvifalaust að taka úr umferð. Kynntu þér notendaleiðbeiningar eða hafðu samband við fallverndun 3M.
  - Búnaðinn má aðeins setja upp á þann hátt sem lýst er í uppsetningarleiðbeiningum eða notendaleiðbeiningum. Uppsetning og notkun fyrir utan umfang leiðbeininga þarf að vera samþykkt skriflega af fallverndun 3M.
  - Það undirlag eða mannvirki sem búnaðurinn er festur við verður að þola þann kyrrstöðupunga sem tilgreindur er fyrir búnaðinn í notendaleiðbeiningum eða uppsetningarleiðbeiningum.
  - Ekki má fara fram fyrir fjölda leyfilegra notenda.
  - Aldrei má vinna fyrir neðan upphengdan farm eða starfsmann.
  - Sýna skal varúð við uppsetningu, notkun og tilfærslu á búnaðinum þar sem ganghlutir geta valdið hugsanlegum klemmupunktum. Kynntu þér notendaleiðbeiningarnar.
  - Tryggja skal að réttu verklagi fyrir læsingu/merkingu hafi verið fylgt eins og við á.
  - Aldrei má festa við kerfi fyrr en það er staðsett, samsett að fullu, stillt og uppsett. Ekki má stilla kerfið þegar notandinn er fastur við það.
  - Aðeins má tengja undirkerfi fallvarnar við tilgreindan festipunkt á búnaðinum.
  - Áður en borað er eða fest, skal tryggja að snerting eigi sér ekki stað við raflínu, gasleiðslur eða önnur mikilvæg innfelld kerfi af bornum eða búnaðinum.
  - Tryggja skal að öll fallvarnarkerfi/undirkerfi sem eru samsett úr íhlutum mismunandi framleiðenda séu samhæfð og mæti kröfum viðeigandi staðla, þ.m.t. staðlinum ANSI Z359 eða öðrum viðeigandi fallvarnarkóðum, stöðlum eða kröfum. Alltaf skal ráðfæra sig við hæfan eða vottaðan aðila, áður en þessi kerfi eru notuð.
- **Til að minnka áhættuna sem fylgir því að starfa hátt uppi, sem gæti, ef ekki er komið í veg fyrir það, valdið alvarlegu líkamstjóni eða dauða:**
  - Tryggðu að heilsa þín og líkamlegt ástand geri þér örugglega kleift að þola allt það álag sem fylgir því að starfa hátt uppi. Ráðfærðu þig við lækni ef þú ert með einhverjar spurningar varðandi hæfni þína til að nota þennan búnað.
  - Aldrei skal fara yfir leyfilega getu fallvarnarbúnaðarins.
  - Aldrei skal fara umfram hámarkslengd frjáls falls sem fallvarnarbúnaðurinn leyfir.
  - Ekki nota neinn fallvarnarbúnað sem bilar við prófun eða við eftirlit, eða ef þú hefur áhyggjur af notkun búnaðarins eða telur að hann henti ekki í það verk sem er fyrir höndum. Hafðu samband við tæknilega þjónustu 3M ef þú ert með einhverjar spurningar.
  - Sum undirkerfi og samsetningar íhluta geta truflað notkun þessa búnaðar. Einungis skal nota tengingar sem eru samhæfðar við þennan búnað. Ráðfærðu þig við 3M fyrir notkun þessa búnaðar með íhlutum eða undirkerfum sem eru frábrugðin þeim kerfum sem er lýst í notendaleiðbeiningunum.
  - Nota skal auka varúðarráðstafanir þegar verið er að vinna nálægt tækjabúnaði sem er á hreyfingu (t.d. á olíuborþöllum), nálægt rafmagnshættu, við hátt hitastig, við efnahættu, þar sem sprengihætta er eða hættulegt gas, skarpar brúnir, eða undir hlutum sem gætu fallið á þig eða fallið á verndarbúnaðinn.
  - Notaðu Arc Flash- eða Hot Works-búnað þegar þú vinnur í mjög heitu umhverfi.
  - Forðastu yfirborðsfleti og hluti sem geta skaðað notandann eða búnaðinn.
  - Tryggðu að það sé viðeigandi pláss til að falla þegar þú vinnur hátt uppi.
  - Aldrei breyta eða umbreyta fallvarnarbúnaðinum. Einungis 3M eða aðilar sem hafa skriflegt umboð frá 3M mega gera við þennan búnað.
  - Áður en fallvarnarbúnaðurinn er notaður skal tryggja að neyðaráætlan sé til um það hvernig samstundis skuli bregðast við ef fall eða slys á sér stað.
  - Ef atvik á sér stað skal umsvifalaust leita læknishjálpar fyrir þann starfsmann sem fallið hefur.
  - Ekki skal nota líkamsbelti til að stöðva fall. Einungis skal nota full líkamsbeisli til að stöðva fall.
  - Lágmarka skal sveiflur með því að vinna eins beint fyrir neðan festipunktinn og mögulegt er.
  - Ef þjálfun fer fram með þessum búnaði, verður að nota annað fallvarnarkerfi þannig að sá sem er í þjálfun sé ekki í hættu við að falla óvart til jarðar.
  - Alltaf skal nota viðeigandi persónuhlífar þegar verið er að setja upp, nota eða hafa eftirlit með búnaðinum/kerfinu.

Fyrir uppsetningu og notkun búnaðarins skal skrá auðkennisupplýsingar búnaðarins sem eru á Eftirlits- og viðhaldsskrá (tafla 2) á bakhlið handbókarinnar.

## VÖRULÝSING:

Mynd 1 sýnir vagn til mótvægis frá 3M™ DBI-SALA® fyrir inngöngu í lokað rými/björgun. Vagn til mótvægis fyrir lokað rými er hannaður sem færanlegt kerfi til uppsetningar og notkunar með mastri sem er samhæft 3M DBI-SALA Confined Space Entry/Rescue Variable Offset Davits (fyrir inngöngu í lokað rými/björgun með breytilegu mótvægi). Kerfið notast við 20 kg þyngdarplötur sem settar eru á rekka vagnsins sem notaðar eru sem mótvægi fyrir kerfið vegna fallstöðvunar og björgunar.

Mynd 2 sýnir íhluti vagns til mótvægis sem tilgreindir eru á mynd 1.

**Tafla 1 – Tæknilýsing**

Tæknilýsing íhluta:		
Mynd 2 tilvísun	Íhlutur	Efni
(A)	Samsetning fótis	Ál- Púðurhúðað Kolstál- sinkhúðað
(B)	Miðjuhloti	Ál- Púðurhúðað Eðlisþungt pólýetýlen
(C)	Grunnframlenging	Ál- Púðurhúðað Kolstál-sinkhúðað
(D)	Gaffalvasar	Kolstál- Púðurhúðað
(E)	Vasar framlengingar	Ál- Púðurhúðað
(F)	Samsetning vagns	Kolstál- Púðurhúðað
(G)	Þrýstihandfang	Vínýl
(H)	Láspinni þyngdarplötu	Kolstál- Púðurhúðað
(I)	Láskragi	Kolstál- Púðurhúðað
(J)	Þyngdarrekki	Kolstál- Púðurhúðað
(K)	<b>8000123</b> -20 kg þyngdarplata (seld sér)	Kolstál- Púðurhúðað

Uppfylftu eftirfarandi kröfur ef þú útvegar eigin þyngdarplötu. Ef það er ekki gert getur það valdið alvarlegum meiðslum eða dauða.

### Tæknilýsing fyrir þyngdarplötu:

þyngd	20 kg (45 pund)	
Op stangar	25,4 mm (1 tommu) - 38,1 mm (1,25 tommur)	
Þykkt	Hámark 36,5 mm (1,44 tommur)	
Þvermál	Hámark 457,2 mm (18 tommur)	

## Tafla 1 – Tæknilýsing

<b>Tæknilýsing kerfis:</b>	
<b>Vinnusvæði</b>	Gert fyrir fallstöðvun og björgun fyrir framan fætur. Sjá mynd 6.
<b>Samhæfi</b>	Sú Davit Bases sem fjallað er um í þessum leiðbeiningum er samhæf 3M™ DBI-SALA® High Capacity (HC) Short Reach og Long Reach Davit Systems. Þarf viðeigandi fjölda á þyngdarplötum í mynd 1.
<b>Kerfisþyngd</b>	Með plötum: (20x)-606 kg (1336 pund). (36x)-925 kg (2039 pund).
	Án plata: 206 kg (455 pund)
<b>Mál</b>	Á mynd 3 er að finna mál fyrir vagn til mótvægis.
<b>Þyngdargeta:</b>	
<b>Geta til efnameðhöndlunar</b>	205 kg (452 pund)



## 1.0 NOTKUN Á VÖRU

- 1.1 TILGANGUR:** Davit Bases eru hannaðir festipunktur fyrir samhæf 3M Davit Systems. Sjá viðeigandi Davit System leiðbeiningar varðandi notkun og virkni kerfisins.
- 1.2 STAÐLAR:** Þessi Davit Base er í samræmi við innlendan og svæðisbundinn staðal (staðla) sem finna má á forsiðu þessara leiðbeininga. Ef þessi vara er endurseld utan upprunalandsins skal endursöluaðilinn veita þessar leiðbeiningar á tungumáli landsins þar sem varan verður notuð.
- 1.3 UPPSETNING OG EFTIRLIT:** Uppsetning á Davit Base skal fara fram undir eftirliti hæfs aðila<sup>1</sup>. Vottaður aðili<sup>2</sup> verður að staðfesta að uppsetningin uppfylli kröfur staðbundinna reglugerða og alríkisreglugerða. Hæfur aðili verður að mæla með viðeigandi festingum og viðeigandi staðsetningu á Davit Base. Notkun á Davit og meðfylgjandi fallstöðvunarbúnaði þarf að vera undir eftirliti hæfs aðila.
- 1.4 GÖGN STARFSSTÖÐVAR:** Eftir samsetningu og uppsetningu á Davit Bases þarf uppsetningaraðili að ljúka við uppsetningargögn sem uppfylla upplýsingakröfur EN795 Annex A og þarf að síðan að koma þeim til tilnefnds fulltrúa notandans. Upplýsingagögnin skal geyma á starfsstöðinni til skoðunar síðar meir.
- 1.5 ÞJÁLFUN:** Búnaðurinn þarf að vera settur upp og notaður af aðilum sem hafa hlotið þjálfun í rétttri notkun hans. Þessa handbók má nota sem hluta af þjálfun starfsmanna og/eða til að uppfylla kröfur reglugerða á svæðinu. Það er á ábyrgð notenda og uppsetningaraðila þessa búnaðar að þeir hafi náð góðum skilningi á leiðbeiningum þessum og að þeir hafi fengið þjálfun í rétttri umhirðu og notkun þessa búnaðar. Einnig er nauðsynlegt að þeir skilji eiginleika búnaðarins við notkun, takmarkanir hans, og hvaða afleiðingar það getur haft að nota þennan búnað á rangan hátt.
- 1.6 BJÖRGUNARÁÆTLUN:** Við notkun Davit og tengdan fallvarnarbúnað verður vinnuveitandinn að hafa sett upp björgunaráætlun og hafa ráðstafanir við höndina til að framkvæma hana og miðla til notenda. Mælt er með að þjálfað björgunarteymi sé á staðnum. Teymisaðilar ættu að fá búnað og tækni til að framkvæma farsæla björgun. Þjálfun ætti að fara fram með reglubundnum hætti til að tryggja skilvirgni við björgun.
- 1.7 EFTIRLITSTÍÐNI:** Davit Base þarf að skoða af notandanum fyrir sérhverja notkun svo og af hæfum aðila öðrum en notandanum, og ekki má líða meira en ár á milli skoðana.<sup>2</sup> Eftirlitsferli er lýst í „Eftirlits- og viðhaldsskrá“. Niðurstöður úr skoðun sérhvers hæfs aðila ætti að skrá í öll eintök af „Eftirlits- og viðhaldsskrá“.

## 2.0 KERFISKRÖFUR

- 2.1 FESTINGAR:** Öll mannvirki og festingar (festingar ef við á) notaðar til að festa Davit Base verða að uppfylla „Festikröfur“ sem skilgreindar eru í töflu 1.
- 2.1 SAMHÆFI ÍHLUTA:** 3M búnaður er aðeins hannaður til notkunar með öðrum 3M-samþykktum íhlutum og undirkerfum. Skiptingar eða endurnýjanir sem fara fram með íhlutum eða undirkerfum sem ekki eru samþykkt, geta komið í veg fyrir samhæfi búnaðar og geta haft áhrif á öryggi og áreiðanleika heildarkerfisins.
- 2.2 PERSÓNULEG FALLSTÖÐVUNARKERFI:** Persónuleg fallstöðvunarkerfi (Personal Fall Arrest Systems-PFAS) sem notuð eru með kerfinu verða að uppfylla viðeigandi fallvarnarstaðla, reglur og kröfur. PFAS verður að notast við líkamsöryggisbelti og takmarka höggálag við eftirfarandi gildi:

	Hámarks höggálag	Frjálst fall
PFAS með dragreiði sem dregur úr höggi	6 kN (1.350 lbs)	Kynntu þér leiðbeiningarnar sem fylgja dragreipinu þínu eða sjálfinnndraganlegum búnaði (SRD) til að nálgast upplýsingar um takmarkanir varðandi frjálst fall.
PFAS með sjálfinnndraganlegum búnaði (Self Retracting Device-SRD)	6 kN (1.350 lbs)	

- 2.3 HÆTTA:** Notkun þessa búnaðar á svæðum með umhverfishættu getur krafist viðbótarráðstafana til að koma í veg fyrir meiðsli á þeim sem notar hann eða skemmdir á búnaði. Sjá 3M Davit Mast leiðbeiningar til að nálgast upplýsingar um ákveðna hættur varðandi notkun á kerfinu.

**1 Hæfur aðili:** Aðili sem hefur getu til að bera kennsl á núverandi eða fyrirsjáanlega hættu í umhverfinu, eða bera kennsl á vinnuaðstæður sem eru óheilbrigðar, hættulegar eða ógna öryggi starfsmanna, og sem hefur umboð til að grípa til viðeigandi ráðstafana til að sneiða hjá hættunni.

**2 Eftirlitstíðni:** Erfiðar vinnuaðstæður (óblítt umhverfi, langvarandi notkun, o.s.frv.) geta haft í för með sér tíðari skoðanir af hæfum aðila.

### 3.0 UPPSETNING

**3.1 SKIPULAGNING** Skipulegðu fallstöðvunarkerfi þitt fyrir uppsetningu á vagni til mótvægis. Taktu tillit til allra þátta sem geta haft áhrif á öryggi fyrir, á meðan og eftir fall. Íhugaðu allar kröfur sem skilgreindar eru í kafla 2 og töflu 1 til að ákvarða rétt ökutæki og staðsetningu á vagni til mótvægis.

**3.2 SAMSETNING OG UPPSETNING:** Sjá mynd 4.

1. Settu vagninn á flatan stað. Athugaðu jafnvegisloftbólurnar á vagninum og tryggðu að þær séu fyrir miðju.
2. Settu grunnframlenginguna inn í aðra hvora hlið á vasa framlengingarinnar, settu á sinn stað og hertu skrúfuna.
3. Settu miðjuhlutann inn í grunnframlenginguna og festu hann.
4. Settu báðar samsetningar fótis inn í miðjuhlutann og festu þær.
5. Til að stilla lengd grunnframlengingarinnar skaltu fjarlægja láspinnann og losa skrúfuna með því að snúa henni rangsælis.
6. Lengdu framhluta grunnsins út á við frá vagninum.
7. Settu láspinnann í og hertu aftur skrúfuna með því að snúa henni réttisælis.
8. Komdu jafnvægi á kerfið með því að stilla stillifæturna á samsetningum fótis þar til loftbólun er fyrir miðju.
9. Settu viðeigandi fjölda af þyngdarplötum á vagninn í samræmi við hvaða HC Davit er notað. Sjá mynd 1.
10. Renndu láskraganum að þyngdarplötunum á öllum 4 hliðum þyngdarrekkans og festu með sexkanti til að hindra færslu platanna. Sjá mynd 5.
11. Settu láspinnann í þyngdarrekkann. Sjá mynd 5.

*Að lyfta hringjum stöðvar ekki fall, aðeins með því að lyfta að ofan.*

### 4.0 NOTKUN

**4.1 ÁÐUR EN NOTKUN HEFST:** Staðfestu að vinnusvæði þitt og persónulegt fallstöðvunarkerfi (PFAS) uppfylla öll viðmið í kafla 2 og að formleg björgunaráætlun sé til staðar. Skoðaðu vagn til mótvægis í samræmi við skoðunarpunkta *'notanda'* sem skilgreindir eru í „Eftirlits- og viðhaldsskrá“ (tafla 2). Ef skoðun leiðir í ljós óöruggt eða gallað ástand skal ekki nota kerfið. Taktu kerfið úr notkun og fargaðu því eða hafðu samband við 3M varðandi endurnýjun eða viðgerð.

**4.2 VIÐ NOTKUN:**

*Eltihjól ætti að vera læst.*

*Tengdu báða hringi þegar vagni er lyft.*

*Kragaásinn og hjóltittinn þarf að festa og virkja eftir að þyngdunum hefur verið komið fyrir á rekka á öllum 4 hliðum við notkun og flutning. Sjá mynd 5.*

**4.3 FLUTNINGUR/EFTIR NOTKUN:**

*Hlutir verða að vera geymdir á vagninum við flutning. Sjá mynd 7.*

*Gaffallyftaravasir eiga að vera innifaldir.*

*Vagninn inniheldur lyftuhringi sem notaður eru með hlaupaketti. Lyftibúnaður verður að vera tengdur við báða lyftihringi á vagninum.*

### 5.0 EFTIRLIT

**5.1 EFTIRLITSTÍÐNI:** Vagn til mótvægis þarf að skoða með því millibili sem skilgreint er í kafla 1. Eftirlitsferli er lýst í *'Eftirlits- og viðhaldsskrá'* (tafla 2). Skoðaðu alla aðra hluta fallvarnarkerfisins í samræmi við tíðni og ferli sem skilgreint er í leiðbeiningum framleiðanda.

**5.2 GALLAR** Ef eftirlit leiðir í ljós óöruggt eða gallað ástand skal tafarlaust taka vagn til mótvægis úr notkun og hafa samband við 3M varðandi endurnýjun eða viðgerðir. Ekki má reyna viðgerðir á fallstöðvunarkerfinu.

**Aðeins viðurkenndar viðgerðir:** *Einungis 3M fyrirtækið eða aðilar sem hafa skriflegt umboð frá því mega gera við þennan búnað.*










**5.3 LÍFTÍMI VÖRU:** Virknistími fallstöðvunarkerfisins ræðst af vinnuáætlaðum og viðhaldi. Nota má vöruna áfram, svo lengi sem hún stenst eftirlitsviðmið.

## 6.0 VIÐHALD, ÞJÓNUSTA OG GEYMSLA

- 6.1 HREINSUN:** Hreinsa skal málmhluta vagns til mótvægis með reglubundnum hætti með mjúkum burstu, volgu vatni og mildri sápulausn. Tryggja skal að hlutarnir séu skolaðir vandlega með hreinu vatni.
- 6.2 VIÐHALD** Einungis 3M eða aðilar sem hafa skriflegt umboð frá 3M mega gera við þennan búnað. Ef Davit Base hefur orðið fyrir höggi við fall eða eftirlit leiðir í ljós óöruggt eða gallað ástand, skal taka kerfið úr notkun og hafa samband við 3M varðandi endurnýjun eða viðgerðir.
- 6.3 GEYMSLA OG FLUTNINGUR:** Þegar vagn til mótvægis er ekki í notkun skal geyma og flytja hann og tengdan fallvarnarbúnað á köldum, þurrum og hreinum stað fjarri beinu sólarljósi. Forðastu svæði þar sem efnagufur geta verið til staðar. Skoðaðu vandlega íhlutina eftir geymslu til langs tíma.

## 7.0 MERKINGAR

Mynd 8 sýnir merkingar á vagni til mótvægis. Merkingar þarf að endurnýja ef þær eru ekki að fullu læsilegar. Upplýsingar á sérhverri merkingu eru eftirfarandi:

	Lestu allar leiðbeiningar.
	CE staðlavottun
	Uppfyllir EN1496:2012 prófunarkröfur
	Tæknilýsing fyrir kerfi vagns til mótvægis og plötu
	AS/NZS staðlavottun
	A) Framleitt (ár, mánuður) B) Gerðarnúmer C) Raðnúmer
	Þyngd vagns og tæknilýsing plötu
	Viðvörðun um lyftu eingöngu
	A) Hámarks hliðrun Davit arms B) Gert fyrir efnameðhöndlun sem nemur 205 kg (452 pund) C) Persónulegt fallstöðvunarkerfi (PFAS) Hámarks höggálag (MAF) ≤ 6 kN (1.350 pund)

**Tafla 3 – Eftirlits- og viðhaldsskrá**

Eftirlitsdagsetning:		Skoðað af:	
Íhlutar:	Eftirlit: (Sjá kafla 1 varðandi eftirlitstíðni)	Notandi	Hæfur aðili <sup>1</sup>
Vagn til mótvægis (mynd 1)	Skoðaðu vagn til mótvægis og leitaðu að merkjum um sprungur, beyglur eða afmyndanir.	<input type="checkbox"/>	<input type="checkbox"/>
	Leitaðu að tæringu á allri einingunni.	<input type="checkbox"/>	<input type="checkbox"/>
Merkingar (myndir 8 og 9)	Staðfestu að allar merkingar séu tryggilega festar og læsilegar (sjá 'Merkingar')	<input type="checkbox"/>	<input type="checkbox"/>
PFAS og annar búnaður	Persónulegt fallstöðvunarkerfi (PFAS) til viðbótar (öryggisbelti, SRL o.s.frv.) sem er notaður með Wall Mount Davit Base ætti að setja upp og skoða í samræmi við leiðbeiningar framleiðandans.	<input type="checkbox"/>	<input type="checkbox"/>

Raðnúmer:	Dagsetning keypt:
Gerðarnúmer:	Dagsetning fyrstu notkunar:
Leiðréttandi aðgerð/viðhald:	Samþykkt af:
	Dagsetning:
Leiðréttandi aðgerð/viðhald:	Samþykkt af:
	Dagsetning:
Leiðréttandi aðgerð/viðhald:	Samþykkt af:
	Dagsetning:
Leiðréttandi aðgerð/viðhald:	Samþykkt af:
	Dagsetning:
Leiðréttandi aðgerð/viðhald:	Samþykkt af:
	Dagsetning:
Leiðréttandi aðgerð/viðhald:	Samþykkt af:
	Dagsetning:
Leiðréttandi aðgerð/viðhald:	Samþykkt af:
	Dagsetning:
Leiðréttandi aðgerð/viðhald:	Samþykkt af:
	Dagsetning:
Leiðréttandi aðgerð/viðhald:	Samþykkt af:
	Dagsetning:
Leiðréttandi aðgerð/viðhald:	Samþykkt af:
	Dagsetning:
Leiðréttandi aðgerð/viðhald:	Samþykkt af:
	Dagsetning:
Leiðréttandi aðgerð/viðhald:	Samþykkt af:
	Dagsetning:
Leiðréttandi aðgerð/viðhald:	Samþykkt af:
	Dagsetning:
Leiðréttandi aðgerð/viðhald:	Samþykkt af:
	Dagsetning:
Leiðréttandi aðgerð/viðhald:	Samþykkt af:
	Dagsetning:

<sup>1</sup> **Hæfur aðili:** Aðili sem hefur getu til að bera kennsl á núverandi eða fyrirsjáanlega hættu í umhverfinu, eða bera kennsl á vinnuáðstæður sem eru óheilbrigðar, hættulegar eða ógna öryggi starfsmanna, og sem hefur umboð til að grípa til viðeigandi ráðstafana til að sneiða hjá hættunni.

## INFORMAZIONI SULLA SICUREZZA

**Leggere, comprendere e seguire tutte le informazioni sulla sicurezza contenute nelle presenti istruzioni prima di utilizzare questo dispositivo di salvataggio/accesso a spazi confinati. IL MANCATO RISPETTO DELLE ISTRUZIONI PUÒ CAUSARE GRAVI LESIONI PERSONALI O MORTE.**

**Fornire le presenti istruzioni all'utente dell'attrezzatura. Conservare queste istruzioni come riferimento in futuro.**

### Uso previsto:

Questo dispositivo di salvataggio/accesso a spazi confinati deve essere utilizzato come parte di un sistema di salvataggio o protezione anticaduta personale completo.

L'utilizzo per qualsiasi altra applicazione incluse, ma non solo, applicazioni di manipolazione di materiale non approvate, attività correlate ricreative o sportive oppure altre attività non descritte nelle istruzioni per l'utente o nelle istruzioni di installazione, non è approvato da 3M e può causare gravi lesioni personali o morte.

Il presente dispositivo deve essere utilizzato esclusivamente da utenti addestrati nelle applicazioni relative all'ambito di lavoro.



## AVVERTENZA

Questo dispositivo di salvataggio/accesso a spazi confinati fa parte di un sistema di salvataggio o protezione anticaduta personale. Si prevede, pertanto, che tutti gli utenti siano completamente addestrati all'installazione e all'utilizzo sicuri del sistema completo. **L'uso improprio del presente dispositivo può comportare gravi lesioni personali o morte.** Per le modalità corrette di selezione, funzionamento, installazione, manutenzione e assistenza, consultare tutte le istruzioni del prodotto e tutte le raccomandazioni fornite dal produttore; altrimenti rivolgersi al proprio supervisore o contattare l'assistenza tecnica di 3M.

- **Per ridurre i rischi associati all'utilizzo di un dispositivo di salvataggio/accesso a spazi confinati che, se non evitati, potrebbero causare gravi lesioni personali o morte:**
  - Ispezionare il dispositivo prima di ogni uso, almeno una volta all'anno, e dopo qualsiasi evento di caduta. Le ispezioni devono essere eseguite conformemente a quanto indicato nelle istruzioni per l'utente.
  - Se, a seguito dell'ispezione, viene individuata una condizione di non sicurezza o difetto, dismettere il dispositivo e ripararlo o sostituirlo secondo le istruzioni per l'utente.
  - Ogni dispositivo che è stato sottoposto all'arresto caduta o a una forza d'impatto deve essere immediatamente rimosso dal servizio. Fare riferimento alle istruzioni per l'utente o contattare la protezione anticaduta di 3M.
  - Il dispositivo deve essere installato esclusivamente nella maniera indicata nel dettaglio nelle istruzioni di installazione o nelle istruzioni per l'utente. Installazioni e usi che fuoriescono dall'ambito delle istruzioni devono essere approvati per iscritto dalla protezione anticaduta di 3M.
  - Il substrato o la struttura a cui è attaccato il dispositivo deve essere in grado di sostenere i carichi statici specificati per il dispositivo con gli orientamenti consentiti nelle istruzioni per l'utente o nelle istruzioni di installazione.
  - Non superare il numero di utenti consentiti.
  - Non lavorare mai sotto un operatore o un carico sospeso.
  - Fare attenzione quando si installa, si utilizza o si muove il dispositivo, poiché alcune parti mobili potrebbero creare potenziali punti di impiglio. Consultare le istruzioni per l'utente.
  - Assicurarsi che le procedure di lock-out/tag-out siano state rispettate per quanto applicabile.
  - Non attaccare mai un sistema finché non è stato posizionato, assemblato completamente, regolato e installato. Non regolare il sistema quando è attaccato a un utente.
  - Collegare solo i sottosistemi di protezione anticaduta al punto di collegamento dell'ancoraggio designato sul dispositivo.
  - Prima di eseguire una perforazione o un fissaggio, assicurarsi che non ci siano linee elettriche, del gas o altri sistemi incorporati critici con cui il trapano o il dispositivo possa venire in contatto.
  - Assicurarsi che i sistemi/sottosistemi di protezione anticaduta assemblati con componenti realizzati da produttori diversi siano compatibili e soddisfino i requisiti degli standard applicabili, inclusi ANSI Z359 o altri codici, standard o requisiti relativi alla protezione anticaduta pertinenti. Consultare sempre una persona competente o qualificata prima di utilizzare questi sistemi.
- **Per ridurre i rischi associati al lavoro in altezza che, se non evitati, potrebbero causare gravi lesioni personali o morte:**
  - Assicurarsi che le proprie condizioni fisiche e di salute permettano una resistenza in completa sicurezza a tutte le forze associate al lavoro in altezza. Consultare il proprio medico in caso di domande relative alla propria capacità d'uso di questa attrezzatura.
  - Non superare mai la capacità consentita della propria attrezzatura di protezione anticaduta.
  - Non superare mai la distanza massima di caduta libera della propria attrezzatura di protezione anticaduta.
  - Non utilizzare mai un'attrezzatura di protezione anticaduta che non abbia superato l'ispezione prima dell'uso o altri controlli programmati oppure in caso di dubbi sull'uso o sull'idoneità dell'attrezzatura in merito all'applicazione. Per eventuali domande, contattare l'assistenza tecnica di 3M.
  - Alcune combinazioni di sottosistemi e componenti potrebbero compromettere il funzionamento di questa attrezzatura. Utilizzare solo collegamenti compatibili. Consultare 3M prima di utilizzare questa attrezzatura in combinazione con componenti o sottosistemi diversi da quelli descritti nelle presenti istruzioni per l'utente.
  - Prestare particolare attenzione in presenza di macchinari in movimento (ad es., il top drive delle torri di perforazione), rischi di carattere elettrico, temperature estreme, rischi di carattere chimico, gas esplosivi o tossici, bordi taglienti oppure al di sotto di materiali sospesi che potrebbero cadere sull'utente o sulla attrezzatura di protezione anticaduta.
  - Utilizzare dispositivi Arc Flash o Hot Works quando si lavora in ambienti che presentano temperature elevate.
  - Evitare superfici e oggetti che possano danneggiare l'utente o l'attrezzatura.
  - Durante il lavoro in altezza assicurarsi che ci sia un tirante d'aria di caduta adeguato.
  - Non modificare o alterare mai la propria attrezzatura di protezione anticaduta. Solo 3M o centri con autorizzazione scritta di 3M possono procedere alla riparazione dell'attrezzatura.
  - Prima di utilizzare l'attrezzatura di protezione anticaduta, assicurarsi che esista un piano di salvataggio che permetta un salvataggio immediato nel caso in cui si verifichi un incidente.
  - In caso di incidente, fare in modo che il lavoratore caduto sia sottoposto immediatamente alle cure di un medico.
  - Non utilizzare una cintura in vita per applicazioni di arresto caduta. Utilizzare esclusivamente un'imbracatura integrale.
  - Ridurre al minimo le cadute con pendolo lavorando il più possibile direttamente sotto il punto di ancoraggio.
  - Durante la formazione con questo dispositivo, deve essere utilizzato un sistema di protezione anticaduta secondario in modo da non esporre l'utente a un pericolo di caduta involontario.
  - Quando si installa, utilizza o ispeziona il dispositivo/sistema, indossare sempre i dispositivi di protezione individuale idonei.

Prima di installare e utilizzare l'attrezzatura, registrare le informazioni di identificazione dell'articolo dall'etichetta identificativa nel Registro di ispezione e manutenzione (Tabella 2) che si trova sul retro del presente manuale.

### DESCRIZIONE ARTICOLO:

La Figura 1 illustra il carrello contrappeso di salvataggio/accesso a spazi confinati 3M™ DBI-SALA®. Il carrello contrappeso di accesso a spazi confinati è stato progettato come sistema portatile da installare e utilizzare con un albero di gru a sbraccio variabile di salvataggio/accesso a spazi confinati 3M DBI-SALA compatibili. Il sistema utilizza pesi di 20 kg (45 libbre) sulle basi dei contrappesi del carrello da utilizzare come contrappeso per il sistema utilizzato per l'arresto caduta e il salvataggio.

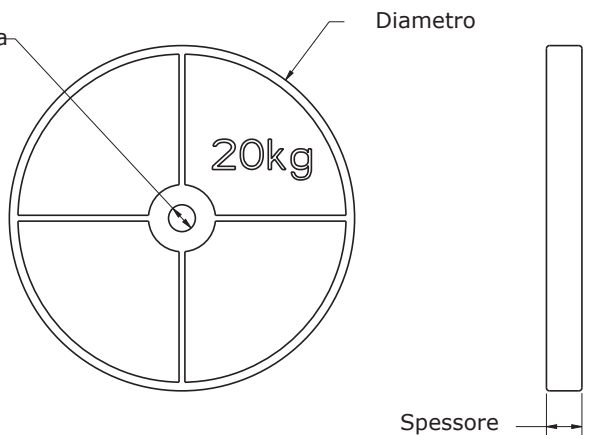
La Figura 2 illustra i componenti del carrello contrappeso specificato nella Tabella 1.

**Tabella 1 - Specificazioni**

Specificazioni dei componenti:		
Figura di riferimento 2	Componente	Materiali
(A)	Gruppo gamba	Alluminio verniciato a polvere Acciaio al carbonio zincato
(B)	Sezione centrale	Alluminio verniciato a polvere Polietilene ad alta densità
(C)	Prolunga della base	Alluminio verniciato a polvere Acciaio al carbonio zincato
(D)	Tasche della forcella	Acciaio al carbonio zincato
(E)	Tasca della prolunga	Alluminio verniciato a polvere
(F)	Assemblaggio del carrello	Acciaio al carbonio zincato
(G)	Maniglia di spinta	Vinile
(H)	Perno di blocco del peso	Acciaio al carbonio zincato
(I)	Collare di blocco	Acciaio al carbonio zincato
(J)	Base per contrappesi	Acciaio al carbonio zincato
(K)	<b>8000123</b> - Peso da 20 kg (45 libbre) (venduto separatamente)	Acciaio al carbonio zincato

Soddisfare le seguenti specificazioni se si forniscono pesi propri. Se non viene effettuata questa procedura, potrebbero verificarsi gravi lesioni, anche mortali.

### Specificazioni dei pesi

Peso	20 kg (45 libbre)	
Apertura della barra	25,4 mm (1")-38,1 mm (1,25")	
Spessore	Massimo 36,5 mm (1,44")	
Diametro	Massimo 457,2 mm (18")	

**Tabella 1 - Specificazioni**

<b>Specifiche del sistema:</b>	
<b>Zona di lavoro</b>	Classificato per l'arresto caduta e il salvataggio davanti alle gambe. Vedere la Figura 6.
<b>Compatibilità</b>	Le basi della gru descritte nelle presenti istruzioni sono compatibili con i sistemi gru a portata ampia e ridotta ad alta capacità (AC) 3M™ DBI-SALA®. Per la quantità appropriata di pesi, vedere la Figura 1.
<b>Pesi del sistema</b>	Con i pesi: (20x)-606 kg (1336 libbre). (36x)-925 kg (2039 libbre).
	Senza i pesi: 206 kg (455 libbre)
<b>Dimensioni</b>	Per le dimensioni del carrello contrappeso, vedere la Figura 3.
<b>Capacità dei pesi:</b>	
<b>Capacità di gestione del materiale</b>	205 kg (452 libbre)

## 1.0 APPLICAZIONE DELL'ARTICOLO

- 1.1 FINALITÀ:** le basi delle gru sono punti di montaggio progettati per Sistemi gru compatibili 3M. Per informazioni sull'uso e le funzionalità del sistema, vedere le istruzioni del Sistema gru in questione.
- 1.2 STANDARD:** questa base gru è conforme agli standard nazionali o regionali segnalati sulla copertina di queste istruzioni. Se il prodotto viene rivenduto al di fuori del Paese di destinazione originario, il rivenditore dovrà fornire le presenti istruzioni nella lingua del Paese in cui dovrà essere utilizzato il prodotto.
- 1.3 INSTALLAZIONE E SUPERVISIONE:** l'installazione della base della gru deve essere supervisionata da una Persona competente<sup>1</sup>. Una Persona qualificata<sup>2</sup> deve verificare che le caratteristiche strutturali dell'installazione siano conformi alle normative locali e federali. Una Persona qualificata deve consigliare dispositivi di fissaggio adatti e la collocazione corretta della base della gru. L'impiego della gru e della relativa attrezzatura di protezione anticaduta deve essere supervisionato da una Persona competente.
- 1.4 DOCUMENTAZIONE DI CANTIERE:** in seguito all'assemblaggio e all'installazione della base della gru, l'installatore deve compilare la Documentazione sull'installazione in conformità ai requisiti informativi della norma EN795, Allegato A, e consegnarla al rappresentante designato dall'utente. La Documentazione sull'installazione deve essere conservata presso la sede di lavoro per consentire di esaminarla in seguito.
- 1.5 FORMAZIONE:** l'attrezzatura deve essere installata e utilizzata da personale qualificato. Questo manuale può essere utilizzato nell'ambito di un programma di formazione dei dipendenti e/o per fini legati ai regolamenti regionali. È responsabilità dell'utente e dell'installatore dell'attrezzatura assicurarsi di avere dimestichezza con queste istruzioni e di conoscere correttamente le procedure di uso e manutenzione, di essere consapevoli delle caratteristiche di funzionamento, dei limiti di applicazione e delle conseguenze di un uso improprio.
- 1.6 PIANO DI SALVATAGGIO:** durante l'utilizzo della gru e dell'attrezzatura di protezione anticaduta, il datore di lavoro deve disporre di un piano di salvataggio, nonché dei mezzi per implementarlo. Inoltre, deve comunicare tale piano agli utenti. Si consiglia la presenza in loco di una squadra di soccorso addestrata. I membri della squadra devono conoscere le tecniche e disporre delle attrezzature necessarie per un soccorso efficace. La formazione deve essere fornita periodicamente per garantire la competenza dei soccorritori.
- 1.7 FREQUENZA DELLE ISPEZIONI:** la base della gru deve essere ispezionata dall'utente prima di ciascun utilizzo e da una persona competente diversa dall'utente, almeno una volta l'anno.<sup>3</sup> Le procedure d'ispezione sono descritte nel "Registro di ispezione e manutenzione". I risultati di ciascuna ispezione della persona competente devono essere registrati in copie del "Registro di ispezione e manutenzione".

## 2.0 REQUISITI DI SISTEMA

- 2.1 SISTEMI DI ANCORAGGIO E FISSAGGI:** le strutture e, ove pertinente, i dispositivi di fissaggio impiegati per bloccare la base della gru devono soddisfare i "Requisiti di montaggio" indicati nella Tabella 1.
- 2.1 COMPATIBILITÀ DEI COMPONENTI:** l'attrezzatura 3M è progettata solo per l'utilizzo con altri componenti e sottosistemi approvati da 3M. Eventuali sostituzioni con componenti o sottosistemi non approvati potrebbero compromettere la compatibilità delle apparecchiature e la sicurezza, nonché l'affidabilità di tutto il sistema.
- 2.2 SISTEMA DI PROTEZIONE ANTICADUTA:** i sistemi di protezione anticaduta utilizzati con questo sistema devono soddisfare gli standard, i codici e i requisiti applicabili di protezione anticaduta. Il sistema di protezione anticaduta deve utilizzare un'imbracatura integrale e limitare la forza di arresto ai valori seguenti:

	Forza di arresto massima	Caduta libera
<b>Sistema di protezione anticaduta con cordino assorbitore di energia</b>	6 kN (1350 libbre)	<i>Fare riferimento alle istruzioni incluse con cordino o SRD per le limitazioni di caduta libera.</i>
<b>Sistemi di protezione anticaduta con dispositivo autoretrattile (SRD)</b>	6 kN (1350 libbre)	

- 2.3 PERICOLI:** l'utilizzo dell'attrezzatura in aree con rischi ambientali può richiedere ulteriori precauzioni per prevenire lesioni all'utente o danneggiamenti all'attrezzatura. Per informazioni su pericoli specifici che possono compromettere l'uso del sistema, vedere le istruzioni del montante della gru 3M.

<sup>1</sup> **Persona competente:** persona in grado di individuare i rischi esistenti e prevedibili nell'ambiente circostante o condizioni di lavoro malsane, rischiose o pericolose per i dipendenti, autorizzata a prendere immediati provvedimenti per porvi rimedio.

<sup>2</sup> **Persona qualificata:** persona con un diploma o un certificato professionale riconosciuto e un'esperienza approfondita nel campo della protezione anticaduta. Questa persona deve essere in grado di progettare, analizzare, valutare e specificare i dati della protezione anticaduta.

<sup>3</sup> **Frequenza delle ispezioni:** condizioni di lavoro estreme (ambienti proibitivi, uso prolungato e così via) possono richiedere un incremento nella frequenza delle ispezioni da parte della persona competente.



### 3.0 INSTALLAZIONE

**3.1 PIANIFICAZIONE:** pianificare il proprio sistema di protezione anticaduta prima di installare il carrello contrappeso. Considerare tutti i fattori che possono influire sulla propria sicurezza prima, durante e dopo una caduta. Considerare tutti i requisiti definiti nella Sezione 2 e Tabella 1 per determinare il veicolo e il posizionamento corretti del carrello contrappeso.

**3.2 ASSEMBLAGGIO E CONFIGURAZIONE:** vedere Figura 4.

1. Posizionare il carrello su una superficie piana. Controllare le bolle della livella sul carrello e assicurarsi che siano centrate.
2. Inserire la prolunga della base in uno dei due lati della tasca; fissare in posizione e serrare la vite a manopola.
3. Inserire la sezione centrale nella prolunga della base e fissare in posizione.
4. Inserire entrambi i gruppi delle gambe nella sezione centrale e fissare in posizione.
5. Per regolare la lunghezza della prolunga della base, rimuovere il perno di blocco e allentare la vite a manopola ruotando in senso antiorario.
6. Estendere la sezione frontale della base verso l'esterno lontano dal carrello.
7. Inserire il perno di blocco e serrare nuovamente la vite a manopola ruotando in senso orario.
8. Livellare il sistema regolando il piedino di livello nei gruppi delle gambe finché la bolla della livella non è centrata.
9. Aggiungere al carrello la quantità appropriata di pesi in base alla gru ad alta capacità utilizzata. Vedere la Figura 1.
10. Far scorrere il collare di blocco rispetto ai pesi su tutti e 4 i lati della base per contrappesi e serrare utilizzando una chiave esagonale per impedire ai pesi di muoversi. Vedere Figura 5.
11. Inserire il perno di blocco nella base per contrappesi. Vedere Figura 5.

*Gli anelli di sollevamento non sono destinati all'arresto caduta, ma solo come mezzi di sollevamento.*

### 4.0 USO

**4.1 PRIMA DI CIASCUN UTILIZZO:** verificare che la propria area di lavoro e il sistema di protezione anticaduta soddisfino tutti i criteri definiti nella Sezione 2 e che sia messo in atto un piano formale di salvataggio. Ispezionare il carrello contrappeso in base ai punti di ispezione 'utente' indicati nel "Registro di ispezione e manutenzione" (tabella 2). Non utilizzare il sistema se l'ispezione rivela una condizione pericolosa o difettosa. Ritirare il sistema dal servizio e distruggerlo o contattare 3M per un'eventuale sostituzione o riparazione.

**4.2 DURANTE L'UTILIZZO:**

*La rotella girevole deve essere bloccata.*

*Collegare a entrambi gli anelli durante il sollevamento del carrello.*

*L'albero del collare e il perno devono essere serrati e innescarsi dopo che i pesi sono stati posizionati sulle basi su tutti e 4 i lati durante l'utilizzo e il trasporto. Vedere Figura 5.*

**4.3 TRASPORTO/DOPO L'UTILIZZO:**

*Le parti devono essere stivate nel carrello durante il trasporto. Vedere Figura 7.*

*Includere le tasche del carrello elevatore a forche.*

*Il carrello include anelli di sollevamento da utilizzare con la gru a ponte mobile. Il dispositivo di sollevamento deve essere collegato a entrambi gli anelli sul carrello.*

### 5.0 ISPEZIONE

**5.1 FREQUENZA DELLE ISPEZIONI:** il carrello contrappeso deve essere sottoposto a ispezione agli intervalli definiti nella Sezione 1. Le procedure d'ispezione sono descritte nel "Registro di ispezione e manutenzione" (tabella 2). Ispezionare tutti gli altri componenti del sistema protezione anticaduta per le frequenze e le procedure definite nelle istruzioni del produttore.

**5.2 DIFETTI:** qualora l'ispezione riveli una condizione pericolosa o difettosa, rimuovere immediatamente il carrello contrappeso dal servizio e contattare 3M per un'eventuale sostituzione o riparazione. Non cercare di riparare il sistema d'arresto caduta.

**Solo riparazioni autorizzate:** Solo 3M o centri con autorizzazione scritta possono procedere alla riparazione di questa attrezzatura.

**5.3 DURATA DEL PRODOTTO:** la durata operativa del sistema d'arresto caduta dipende dalle condizioni di lavoro e dalla manutenzione. L'articolo può rimanere in servizio, finché è in grado di soddisfare i criteri di ispezione.

## **6.0 MANUTENZIONE, ASSISTENZA, STOCCAGGIO**


**6.1 PULIZIA:** pulire regolarmente i componenti metallici del carrello contrappeso con una spazzola morbida, acqua calda e un detergente neutro. Accertarsi che le parti siano completamente risciacquate con acqua pulita.

**6.2 MANUTENZIONE:** solo 3M o centri con autorizzazione scritta da parte di 3M possono procedere alla riparazione di questa attrezzatura. Se la base della gru è stata sottoposta a forza di caduta o in seguito a un'ispezione viene individuata una condizione di non sicurezza o difetto, ritirarla immediatamente dal servizio e contattare 3M per un'eventuale riparazione o servizio.

**6.3 CONSERVAZIONE E TRASPORTO:** quando non viene utilizzato, conservare e trasportare il carrello contrappeso e la relativa attrezzatura di protezione anticaduta in un ambiente fresco, asciutto e pulito, lontano da luce solare diretta. Evitare zone con vapori chimici. Dopo un lungo periodo di inutilizzo, ispezionare attentamente i componenti.

## **7.0 ETICHETTE**

La Figura 8 illustra le etichette presenti sul carrello contrappeso. Sostituire le etichette se non sono completamente leggibili. Su ogni etichetta sono presenti le seguenti informazioni:

	Leggere tutte le istruzioni.
①	Certificazione norme CE
②	Soddisfa i requisiti di verifica EN1496:2012
③	Sistema del carrello contrappeso e specificazioni della piastra
④	Certificazione norme AS/NZS
⑤	A) Produzione (Anno, Mese) B) Numero modello C) Numero di serie
⑥	Peso di carrello e specificazioni della piastra
⑦	Avvertenza di solo sollevamento
⑧	A) Massimo sbraccio del braccio della gru B) Classificato per la gestione del materiale di 205 kg (452 libbre) C) Forza massima di arresto (Maximum Arresting Force, MAF) del sistema di protezione anticaduta $\leq 6$ kN (1.350 libbre)

**Tabella 3 - Registro di ispezione e manutenzione**

<b>Data di ispezione:</b>		<b>Ispezionato da:</b>	
<b>Componenti:</b>	<b>Ispezione:</b> (vedere la Sezione 1 per la <i>Frequenza delle ispezioni</i> )	<b>Utente</b>	<b>Persona competente<sup>1</sup></b>
Carrello contrappeso (Figura 1)	Ispezionare il carrello contrappeso per verificare la presenza di eventuali incrinature, ammaccature o deformazioni.	<input type="checkbox"/>	<input type="checkbox"/>
	Verificare che l'intera unità non presenti corrosioni.	<input type="checkbox"/>	<input type="checkbox"/>
Etichette (Figure 8 e 9)	Verificare che tutte le etichette siano saldamente attaccate e leggibili (vedere la sezione "Etichette").	<input type="checkbox"/>	<input type="checkbox"/>
Sistemi di protezione anticaduta e altra attrezzatura	Le apparecchiature aggiuntive del sistema di protezione anticaduta (imbracatura, dispositivo anticaduta retrattile, ecc.) utilizzate insieme alla base della gru per il montaggio a muro devono essere installate e ispezionate conformemente alle istruzioni del produttore.	<input type="checkbox"/>	<input type="checkbox"/>

<b>Numeri di serie:</b>	<b>Data di acquisto:</b>
<b>Numero modello:</b>	<b>Data del primo utilizzo:</b>
<b>Azione correttiva/Manutenzione:</b>	Approvato da:
	Data:
<b>Azione correttiva/Manutenzione:</b>	Approvato da:
	Data:
<b>Azione correttiva/Manutenzione:</b>	Approvato da:
	Data:
<b>Azione correttiva/Manutenzione:</b>	Approvato da:
	Data:
<b>Azione correttiva/Manutenzione:</b>	Approvato da:
	Data:
<b>Azione correttiva/Manutenzione:</b>	Approvato da:
	Data:
<b>Azione correttiva/Manutenzione:</b>	Approvato da:
	Data:
<b>Azione correttiva/Manutenzione:</b>	Approvato da:
	Data:
<b>Azione correttiva/Manutenzione:</b>	Approvato da:
	Data:
<b>Azione correttiva/Manutenzione:</b>	Approvato da:
	Data:
<b>Azione correttiva/Manutenzione:</b>	Approvato da:
	Data:
<b>Azione correttiva/Manutenzione:</b>	Approvato da:
	Data:
<b>Azione correttiva/Manutenzione:</b>	Approvato da:
	Data:

<sup>1</sup> **Persona competente:** persona in grado di individuare i rischi esistenti e prevedibili nell'ambiente circostante o condizioni di lavoro malsane, rischiose e pericolose per i dipendenti, autorizzata a prendere immediati provvedimenti per porvi rimedio.

Prieš naudodamiesi patekimo į uždaras erdves / gelbėjimo įtaisais perskaitykite, supraskite visą šioje instrukcijoje pateiktą saugos informaciją ir laikykitės pateiktų nurodymų. **TO NEPADARIUS GALIMA SUNKIAI SUSIŽALOTI ARBA ŽŪTI.**

Ši instrukcija turi būti pateikta šios įrangos naudotojui. Išsaugokite šią instrukciją, jeigu ateityje jos prireiktų.

## Numatytoji paskirtis

Šis patekimo į uždaras erdves / gelbėjimo įtaisas yra asmeninės apsaugos nuo kritimo sistemos dalis.

„3M“ nėra patvirtinusi jokios kitos paskirties, įskaitant nepatvirtintų medžiagų tvarkymą, poilsinę arba sportinę veiklą ar bet kokią kitą šioje naudotojo instrukcijoje neaprašytą ir veiklą; naudojantis šiuo įtaisu galima sunkiai susižaloti arba žūti.

Šiuo įtaisu gali naudotis tik parengti darbuotojai darbo reikmėms.



## ĮSPĖJIMAS

Šis patekimo į uždaras erdves / gelbėjimo įtaisas yra asmeninės apsaugos nuo kritimo sistemos dalis. Tikimasi, kad visi naudotojai bus reikiamai išmokyti, kaip saugiai parengti ir naudoti visa apsaugos nuo kritimo sistema. **Netinkamai naudojantis šiuo įtaisu galima sunkiai susižaloti arba žūti.** Kaip tinkamai pasirinkti, naudoti, parengti, prižiūrėti ir remontuoti, skaitykite visą gaminio instrukciją ir visas gamintojo rekomendacijas, kreipkitės į savo viršininką arba „3M“ techninę tarnybą.

- **Kaip sumažinti riziką, kuri gali kilti dirbant su patekimo į uždaras erdves / gelbėjimo įtaisu, kurios neišvengus galima sunkiai susižaloti arba žūti.**
  - Prieš kiekvieną naudojimą, bent kartą per metus ir nukritus įtaisui, patikrinkite jį. Tikrinkite vadovaudamiesi naudotojo instrukcija.
  - Jeigu patikrinus aptinkama nesaugi būklė ar defektų, nustokite naudotis įtaisu ir pataisykite arba pakeiskite pagal naudotojo instrukciją.
  - Bet kokių įtaisų, kurių paveikė kritimo stabdymo arba smūgio jėga, privaloma nedelsiant nustoti naudotis. Skaitykite naudotojo instrukciją arba susisiekite su „3M“ konsultantais.
  - Įtaisą privaloma montuoti taip, kaip tai aprašyta montavimo arba naudotojo instrukcijoje. Montuoti arba naudoti įtaisą kitaip, nei numatyta instrukcijoje, galima tik tam gavus raštišką „3M“ patvirtinimą.
  - Pagrindas arba konstrukcija, kuriuose tvirtinsite įtaisą, turi būti pakankamai tvirti, kad išlaikytų įtaisui numatytas statines apkrovas, veikiančias jį naudotojo arba montavimo instrukcijoje leidžiamomis kryptimis.
  - Neviršykite leistino naudotojų skaičiaus.
  - Niekada nedirbkite po kabančiu krovinium arba darbuotoju.
  - Montuodami, naudodami ar perkeldami įtaisą būkite atsargūs – judančios įtaiso dalys gali prispausti. Laikykitės naudotojo instrukcijoje pateiktų nurodymų.
  - Pasirūpinkite, kad visos blokavimo / žymėjimo procedūros būtų deramai vykdomos.
  - Naudokitės sistema tik tada, kai visiškai surinkta, sureguliuota ir sumontuota. Nereguliuokite sistemos, kol kas nors ja naudojasi.
  - Apsaugos nuo kritimo posistemesjunkite tik prie joms skirtų įtaiso tvirtinimo vietų.
  - Prieš pradėdami gręžimo arba tvirtinimo darbus pasirūpinkite, kad nekiltų pavojus pažeisti elektros laidų, dujų vamzdžių ar kitų kritinių integruotų sistemų.
  - Įsitikinkite, kad apsaugos nuo kritimo sistemos ir posistemės, surinktos iš skirtingų gamintojų komponentų, būtų suderinamos ir atitiktų taikomų standartų reikalavimus, įskaitant ANSI Z359 ar kitas taikomas apsaugos nuo kritimo normas, standartus arba reikalavimus. Prieš naudodamiesi šiomis sistemomis visada pasitarkite su kompetentingu arba kvalifikuotu asmeniu.
- **Kaip sumažinti riziką, kuri gali kilti dirbant dideliame aukštyje galinčią kilti riziką, kurios neišvengus galima sunkiai susižaloti arba žūti.**
  - Būkite tikri, kad dėl savo sveikatos ir fizinės būklės galėsite saugiai atlaikyti visas su darbu dideliame aukštyje susijusias jėgas. Jeigu turite kokių nors klausimų dėl savo gebėjimo naudotis šia įranga, pasitarkite su gydytoju.
  - Niekada neviršykite savo apsaugos nuo kritimo įrangos leidžiamos laikomosios galios.
  - Niekada neviršykite savo apsaugos nuo kritimo įrangos maksimalaus laisvojo kritimo atstumo.
  - Niekada nesinaudokite apsaugos nuo kritimo įranga, kuri nepereina prieš naudojimą atliekamos ar kurios nors kitos planinės patikros, arba jeigu turite nuogastavimų dėl įrangos naudojimo ar tinkamumo norimai paskirčiai. Visais klausimais kreipkitės į „3M“ technines tarnybas.
  - Kai kurie posistemų ir komponentų deriniai gali mažinti šios įrangos funkcionalumą. Naudokite tik suderinamas jungtis. Jeigu norite naudoti šią įrangą su kitais nei šiose naudotojo instrukcijoje aprašytais komponentais ar posistemėmis, pasitarkite su „3M“.
  - Dirbdami šalia judančių mašinų (pvz., naftos bokšto viršutinės pavaros), kuriose yra elektros pavojų, kraštutinėje temperatūroje, esant cheminių pavojų, sprogių ar nuodingų dujų, prie aštrių briaunų ar po kabančiomis medžiagomis, kurios gali nukristi ant Jūsų ar apsaugos nuo kritimo įrangos, būkite ypač atsargūs.
  - Dirbdami aukštos temperatūros aplinkoje naudokite kategorijos „Arc Flash“ arba „Hot Works“ įtaisus.
  - Venkite paviršių ir daiktų, kurie gali pakenkti naudotojui arba įrangai.
  - Dirbdami dideliame aukštyje pasirūpinkite, kad būtų pakankamas laisvasis kritimo aukštis.
  - Niekada nemodifikuokite ir nekeiskite savo apsaugos nuo kritimo įrangos. Šią įrangą gali taisyti tik „3M“ arba jos raštu įgalioti subjektai.
  - Prieš naudodamiesi apsaugos nuo kritimo įranga pasirūpinkite, kad būtų parengtas gelbėjimo planas, pagal kurį būtų galima greitai išgelbėti, jei įvyktų kritimo incidentas.
  - Įvykus kritimo incidentui nedelsdami pasirūpinkite nukritusio darbuotojo medicinine apžiūra.
  - Kritimo stabdymo sistemoms nenaudokite kūno diržo. Naudokite tik su viso kūno apraišomis.
  - Išvenkite supamojo kritimo galimybės dirbdami kiek galima tiesiau po inkaravimo vieta.
  - Jeigu mokomasi naudotis šiuo įtaisu, antroji apsaugos nuo kritimo sistema turi būti naudojama taip, kad nekeltų besimokančiajam nenumatyto kritimo pavojaus.
  - Parengdami, naudodamiesi arba tikrindami įtaisą ar sistemą visuomet naudokite atitinkamas asmenines apsaugos priemones.

Prieš įrengdami šią įrangą ir ja naudodamiesi, įrašykite gaminio identifikacijos informaciją iš ID etiketės į šios instrukcijos pabaigoje esantį „Tikrinimo ir priežiūros žurnalą“ (2 lentelė).

## GAMINIO APRAŠAS

1 paveiksle pavaizduotas „3M™“ „DBI-SALA®“ uždaros erdvės / gelbėjimo atsvaro vežimėlis. Uždaros erdvės atsvaro vežimėlis skirtas naudoti kaip kilnojamoji sistema, kurioje įrengiami ir naudojami suderinamų „3M“ uždaros erdvės / gelbėjimo kintamojo peties keltuvų stiebai. Sistemoje naudojami 20 kg svarmenys, maunami ant svarmenų stovo; ji yra kritimo stabdymo ir gelbėjimo sistemos atsvaras.

2 paveiksle pavaizduoti 1 lentelėje nurodyti atsvaro vežimėlio komponentai.

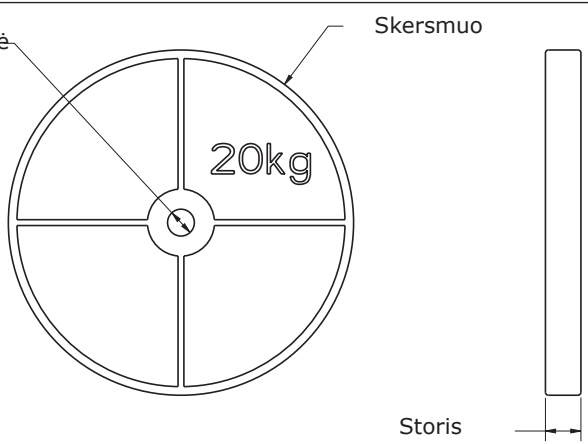
**1 lentelė. Specifikacijos**

Komponentų specifikacijos		
2 pav. Nuorodos	Komponentas	Medžiagos
(A)	Kojelių blokas	Aliuminis su milteline danga Anglinis plienas, cinkuotas
(B)	Centrinis segmentas	Aliuminis su milteline danga Didelio tankio polietilenas
(C)	Pagrindo ilgintuvas	Aliuminis su milteline danga Anglinis plienas, cinkuotas
(D)	Šakių lizdai	Anglinis plienas su milteline danga
(E)	Ilgintuvo lizdas	Aliuminis su milteline danga
(F)	Vežimėlio blokas	Anglinis plienas su milteline danga
(G)	Stūmimo rankena	Vinilas
(H)	Svarmenų fiksavimo kaištis	Anglinis plienas su milteline danga
(I)	Fiksavimo mova	Anglinis plienas su milteline danga
(J)	Svarmenų stovas	Anglinis plienas su milteline danga
(K)	<b>8000123</b> 20 kg svarmuo (įsigyjama atskirai)	Anglinis plienas su milteline danga

Jeigu naudojate nuosavus svarmenis, jie turi atitikti toliau pateiktas specifikacijas. To nepadarius galima sunkiai susižaloti arba žūti.


Svarmenų specifikacijos	
Masė	20 kg (45 sv.)
Centrinė skylė	Nuo 25,4 mm (1") iki 38,1 mm (1,25")
Storis	Iki 36,5 mm (1,44")
Skersmuo	Iki 457,2 mm (18")

Centrinė skylė



Skersmuo

Storis



## 1 lentelė. Specifikacijos

<b>Sistemos specifikacijos</b>	
<b>Darbo zona</b>	Skirta stabdyti kritimą ir gelbėti zonoje priešais kojeles. Žr. 6 pav.
<b>Suderinamumas</b>	Šioje instrukcijoje aprašyti keltuvo pagrindai yra suderinami su „3M™“ didelės laikomosios galios (DLG) trumpo peties ir ilgo peties keltuvų sistemomis „DBI-SALA®“. Reikia pakankamo skaičiaus svarmenų, kaip nurodyta 1 paveiksle.
<b>Sistemos masė</b>	Su svarmenimis: (20x) – 606 kg (1 336 sv.); (36x) – 925 kg (2 039 sv.).
	Be svarmenų: 206 kg (455 sv.)
<b>Matmenys</b>	Atsvaro vežimėlio matmenys nurodyti 3 paveiksle.
<b>Svorio galia</b>	
<b>Keliamoji galia</b>	205 kg (452 sv.)

## 1.0 GAMINIO NAUDOJIMAS

- 1.1 PASKIRTIS.** Keltuvo pagrindai yra suderinamoms „3M“ keltuvo sistemoms skirti tvirtinimo elementai. Apie sistemos naudojimą ir funkcionalumą žr. atitinkamos keltuvo sistemos instrukcijoje.
- 1.2 STANDARTAI.** Keltuvo pagrindas atitinka šios instrukcijos viršelyje nurodytus šalies arba regiono standartus. Jeigu šis gaminys perparduodamas ne toje šalyje, kuriai yra skirtas, perpardavėjas turi pateikti šią instrukciją tos šalies, kurioje gaminys bus naudojamas, valstybine kalba.
- 1.3 ĮRENGIMAS IR PRIEŽIŪRA.** Keltuvo pagrindą gali įrengti tik kompetentingas asmuo<sup>1</sup>. Kvalifikuotas asmuo<sup>2</sup> privalo pasirūpinti, kad konstrukcijos įrengimas atitiktų šalies normas. Kvalifikuotas asmuo privalo rekomenduoti tinkamas tvirtinimo detales ir tinkamą keltuvo pagrindo vietą. Keltuvo ir pritvirtintos apsaugos nuo kritimo įrangos naudojimą privalo prižiūrėti kvalifikuotas asmuo.
- 1.4 DARBO VIETOS DOKUMENTAI.** Keltuvo pagrindą surinkęs ir įrengęs įrengėjas privalo užpildyti ir perduoti naudotojo paskirtam atstovui įrengimo dokumentus, kurie atitinka EN 795 A priedo reikalavimus. Įrengimo dokumentai turi būti laikomi darbų vykdymo vietoje, kad būtų galima pasinaudoti vėliau tikrinant sistemą.
- 1.5 MOKYMAI.** Šią įrangą turi įrengti ir naudoti asmenys, kurie yra parengti ja tinkamai naudotis. Šia instrukcija galima įtraukti į darbuotojų mokymų programą ir (arba) šalies normas. Šios įrangos naudotojams ir įrengėjams tenka atsakomybė pasirūpinti susipažinti su šiais nurodymais, pasirūpinti tinkamai prižiūrėti šią įrangą ir ja naudotis, žinoti jos naudojimo charakteristikas, taikymo apribojimus ir netinkamo jos naudojimo pasekmes.
- 1.6 GELBĖJIMO PLANAS.** Naudodamas šią keltuvo įrangą ir apsaugos nuo kritimo sistemą darbdavys turi turėti gelbėjimo planą bei parengtas priemones jam įgyvendinti ir supažindinti su šiuo planu naudotojus. Rekomenduojama turėti vietoje esančią parengtą gelbėjimo grupę. Grupės nariams turi būti suteikta įranga ir nurodyta sėkmingo gelbėjimo metodika. Periodiškai turi būti vykdomi mokymai, kad gelbėtojai išlaikytų įgūdžius.
- 1.7 TIKRINIMO DAŽNUMAS.** Keltuvo pagrindo patikrinimą kiekvieną kartą prieš ją naudojant turi atlikti naudotojas ir papildomai, ne rečiau kaip kartą per metus – nepriklausomas kompetentingas asmuo.<sup>3</sup> Tikrinimo procedūros aprašytos „Tikrinimo ir techninės priežiūros žurnale“. Kiekvieno kompetentingo asmens atlikto patikrinimo rezultatai turi būti užregistruoti „Tikrinimo ir priežiūros žurnale“.

## 2.0 SISTEMAI KELIAMI REIKALAVIMAI

- 2.1 INKARAVIMAS IR TVIRTINIMO.** detalės Bet kokia konstrukcija ir tvirtinimo detalės (jeigu tvirtinimo detalės reikalingos), naudojamos keltuvo pagrindui tvirtinti, turi atitikti 1 lentelėje nurodytus „Montavimo reikalavimus“.
- 2.1 KOMPONENTŲ SUDERINAMUMAS.** „3M“ įranga yra skirta naudoti tik su „3M“ patvirtintais komponentais ir posistemėmis. Pakaitalai naudojant nepatvirtintus komponentus ar posistemas gali pakenkti įrangos suderinamumui ir sumažinti visos sistemos saugą ir patikimumą.
- 2.2 ASMENINĖ KRITIMO STABDYMO SISTEMA.** Su sistema naudojamos asmeninės kritimo stabdymo sistemos (AKSS) privalo atitikti galiojančius apsaugos nuo kritimo standartus, normas ir reikalavimus. AKSS turi turėti viso kūno apraišas ir apriboti stabdymo jėgą iki šių verčių:

	Maksimali stabdymo jėga	Laisvasis kritimas
AKSS su smūgį sugeriančiu kobiniu	6 kN (1 350 sv.)	Laisvojo kritimo apribojimus žr. kobiniui arba IĮ skirtose instrukcijose.
AKSS su įsitraukiančiuoju įtaisu (IĮ)	6 kN (1 350 sv.)	

- 2.3 PAVOJAI.** Naudojantis šia įranga pavojingos aplinkos vietose gali reikėti imtis papildomų atsargumo priemonių, kad būtų išvengta naudotojo su(si)žalojimo arba įrangos pažeidimo. Konkretūs pavojai, kurie gali turėti poveikį sistemos naudojimui, nurodyti „3M“ keltuvo stiebo instrukcijoje.

<sup>1</sup> **Kompetentingas asmuo.** Asmuo, kuris geba atpažinti esamus bei nuspėjamus veiksnius, susijusius su aplinka ar darbo sąlygomis, kurie kelia pavojų darbuotojams higienos, sveikatos ar saugos požiūriu, ir kuris yra įgaliotas nedelsiant imtis priemonių jiems pašalinti.

<sup>2</sup> **Kvalifikuotas asmuo.** Asmuo, turintis pripažintą laipsnį arba profesinį pažymėjimą ir didelę patirtį apsaugos nuo kritimo srityje. Šis asmuo turi gebėti projektuoti, analizuoti, vertinti ir specifikuoti apsaugos nuo kritimo priemones.

<sup>3</sup> **Tikrinimo dažnumas.** Sunkiomis darbo sąlygomis (nepalanki aplinka, ilgalaikis naudojimas ir kt.) kompetentingam asmeniui gali reikėti tikrinti dažniau.

### 3.0. ĮRENGIMAS

**3.1. PLANAVIMAS.** Prieš įrengdami atsvaro vežimėlį suplanuokite savo apsaugos nuo kritimo sistemą. Atsižvelkite į visus veiksnius, kurie gali lemti saugą prieš kritimą, jo metu ir po to. Tinkamą transportą priemonę ir atsvaro vežimėlio vietą parinkite atsižvelgdami į visus 2 skyriuje ir 1 lentelėje nustatytus reikalavimus.

**3.2. SURINKIMAS IR PARENGIMAS.** Žr. 4 pav.

1. Pastatykite vežimėlį ant lygaus paviršiaus. Patikrinkite vežimėlio gulsčiuokus, kad jų oro burbuliukai būtų per vidurį.
2. Iš bet kurios ilgintuvo lizdo pusės įstatykite pagrindo ilgintuvą; užfiksuokite kaiščiu ir priveržkite trišakiu varžtu.
3. Į pagrindo ilgintuvą įstatykite centrinį segmentą ir užfiksuokite kaiščiu.
4. Į centrinį segmentą įstatykite abu kojelių blokus ir užfiksuokite kaiščiu.
5. Norėdami reguliuoti pagrindo ilgintuvo ilgį, ištraukite fiksavimo kaištį ir atsukite trišakį varžtą, sukdami prieš laikrodžio rodyklę.
6. Išstumkite iš pagrindo priekinę dalį tolyn nuo vežimėlio.
7. Įstatykite fiksavimo kaištį ir vėl priveržkite trišakį varžtą, sukdami pagal laikrodžio rodyklę.
8. Suniveliuokite sistemą reguliuodami niveliavimo kojeles jų blokuose, kad gulsčiuokų oro burbuliukai būtų per vidurį.
9. Atsižvelgdami į tai, koks didelės laikomosios galios (DLG) keltuvas naudojamas, uždėkite pakankamą skaičių svarmenų. Žr. 1 pav.
10. Visose 4-iose svarmenų stovo pusėse pristumkite prie svarmenų fiksavimo movas ir pritvirtinkite jas šešiabriauniu raktu, kad svarmenys nejudėtų. Žr. 5 pav.
11. Įstatykite fiksavimo kaištį į svarmenų stovą. Žr. 5 pav.

Kėlimo kilpos skirtos ne kritimui stabdyti, o tik kelti aukštyn.

### 4.0. NAUDOJIMAS

**4.1. PRIEŠ KIEKVIENĄ NAUDOJIMĄ.** Patikrinkite, ar darbo zona ir asmeninė kritimo stabdymo sistema (AKSS) atitinka visus 2 skyriuje nustatytus kriterijus ir ar yra parengtas oficialus gelbėjimo planas. Patikrinkite atsvaro vežimėlį pagal *Tikrinimo ir priežiūros žurnalo* (2 lentelė). tikrinimo punktus, skirtus *Naudotojui*. Jeigu patikrinus aptinkama nesaugi būklė ar defektų, nesinaudokite sistema. Nebesinaudokite sistema ir kreipkitės į „3M“ dėl pakeitimo arba taisymo.

#### 4.2. NAUDOJIMO METU

Ratukai turi būti užfiksuoti.

Keldami vežimėlį prijunkite kėlimo įrangą prie abiejų kilpų.

Naudojantis ir transportuojant, kai visose 4 pusėse ant stovo uždėti svarmenys, movos ir kaiščiai turi būti savo vietose ir užfiksuoti. Žr. 5 pav.

#### 4.3. TRANSPORTAVIMAS (PO PANAUDOJIMO)

Transportuojant dalys turi būti sudėtos ant vežimėlio. Žr. 7 pav.

Yra šakinio keltuvo lizdai.

Vežimėlyje yra kėlimo kilpos, skirtos kelti kranu. Kėlimo įtaisas turi būti prijungtas prie abiejų vežimėlio kėlimo kilpų.

### 5.0. PATIKRINIMAS

**5.1. TIKRINIMO DAŽNUMAS.** Atsvaro vežimėlį privalu tikrinti 1 skyriuje nustatytu dažnumu. Tikrinimo procedūros yra aprašytos *Tikrinimo ir priežiūros žurnale*. Visus kitus apsaugos nuo kritimo sistemos komponentus tikrinkite gamintojo instrukcijoje nurodytu dažnumu ir tvarka.

**5.2. DEFEKTAI.** Jeigu patikrinus aptinkama nesaugi būklė ar defektų, nedelsdami nustokite naudotis atsvaro vežimėliu ir kreipkitės į „3M“ dėl pakeitimo arba taisymo. Nebandykite taisyti kritimo stabdymo sistemos.

Remontą leidžiama atlikti tik įgaliotiems asmenims. Šią įrangą gali taisyti tik „3M“ arba raštu įgalioti subjektai.

**5.3. GAMINIO NAUDOJIMO TRUKMĖ.** Kritimo stabdymo sistemos funkcinis naudojimo laikas priklauso nuo darbo sąlygų ir priežiūros. Jeigu gaminys atitinka tikrinimo kriterijus, juo galima naudotis.




## 6.0. PRIEŽIŪRA, REMONTAS IR LAIKYMAS

- 6.1. VALYMAS.** Periodiškai valykite atsvaro vežimėlio metalines dalis švelniu šepetėliu, šiltu vandeniu ir švelnaus muilo tirpalu. Dalis būtinai stropiai nuplaukite švariu vandeniu.
- 6.2. TAISYMAS.** Šią įrangą gali taisyti tik „3M“ arba raštu įgalioti subjektai. Jeigu keltuvo pagrindas patyrė kritimo jėgas arba patikrinus aptinkama nesaugi būklė ar defektų, nebesinaudokite juo ir kreipkitės į „3M“ dėl pakeitimo arba taisymo.
- 6.3. LAIKYMAS IR VEŽIMAS.** Nenaudojamą atsvaro vežimėlį ir susijusią apsaugos nuo kritimo įrangą laikykite ir transportuokite vėsioje, sausoje, švarioje aplinkoje, kur nėra tiesioginės saulės šviesos. Venkite vietų, kur galėtų būti cheminių medžiagų garų. Po ilgalaikio nenaudojimo stropiai patikrinkite komponentus.

## 7.0. ETIKETĖS

8 paveiksle pavaizduotos ant atsvaro vežimėlio esančios etiketės. Jeigu etiketės ne visiškai įskaitomos, jas būtina pakeisti. Kiekvienoje etiketėje pateikta tokia informacija:

	Perskaitykite visas instrukcijas.
1	CE standartų sertifikatas
2	Atitinka EN 1496:2012 bandymo reikalavimus
3	Atsvaro vežimėlio sistema ir svarmenų specifikacijos
4	AS / NZS standartų sertifikatas
5	A) Pagaminta (metai, mėnuo) B) modelio numeris C) serijos numeris
6	Vežimėlio svoris ir svarmenų specifikacijos
7	Įspėjimas „Skirta tik kelti“
8	A) maksimalus keltuvo strėlės petys B) skirta kelti iki 205 kg (452 sv.) C) asmeninės kritimo stabdymo sistemos (AKSS) maksimali stabdymo jėga (MSJ) ≤ 6 kN (1 350 sv.)

### 3 lentelė. Tikrinimo ir priežiūros žurnalas

3 lentelė. Tikrinimo ir priežiūros žurnalas			
Patikrinimo data:		Patikrinimą atliko:	
Komponentai:	Patikrinimas: <small>(Tikrinimo dažnumas nurodytas 1 skyriuje)</small>	Naudotojas	Kompetentingas asmuo <sup>1</sup>
Atsvaro vežimėlis (1 paveikslas)	Patikrinkite, ar atsvaro vežimėlis neturi įtrūkių, įpjovų ar deformacijų.	<input type="checkbox"/>	<input type="checkbox"/>
	Patikrinkite visą įrenginį, ar nėra korozijos.	<input type="checkbox"/>	<input type="checkbox"/>
Etiketės (8 ir 9 paveikslai)	Patikrinkite, ar visos etiketės gerai pritvirtintos ir yra įskaitomos (žr. „Etiketės“)	<input type="checkbox"/>	<input type="checkbox"/>
AKSS ir kita įranga	Su ant sienos montuojamu keltuvo pagrindu naudojama papildoma asmeninės kritimo stabdymo sistemos (AKSS) įranga (apraišos, ĮK ir kt.) turi būti parengtos ir tikrinamos pagal gamintojo nurodymus.	<input type="checkbox"/>	<input type="checkbox"/>
<b>Serijos numeris (-iai):</b>		<b>Įsigijimo data:</b>	
<b>Modelio numeris:</b>		<b>Naudojimo pradžios data:</b>	
<b>Taisomieji veiksmai / priežiūra:</b>		Patvirtino:	
		Data:	
<b>Taisomieji veiksmai / priežiūra:</b>		Patvirtino:	
		Data:	
<b>Taisomieji veiksmai / priežiūra:</b>		Patvirtino:	
		Data:	
<b>Taisomieji veiksmai / priežiūra:</b>		Patvirtino:	
		Data:	
<b>Taisomieji veiksmai / priežiūra:</b>		Patvirtino:	
		Data:	
<b>Taisomieji veiksmai / priežiūra:</b>		Patvirtino:	
		Data:	
<b>Taisomieji veiksmai / priežiūra:</b>		Patvirtino:	
		Data:	
<b>Taisomieji veiksmai / priežiūra:</b>		Patvirtino:	
		Data:	
<b>Taisomieji veiksmai / priežiūra:</b>		Patvirtino:	
		Data:	
<b>Taisomieji veiksmai / priežiūra:</b>		Patvirtino:	
		Data:	
<b>Taisomieji veiksmai / priežiūra:</b>		Patvirtino:	
		Data:	
<b>Taisomieji veiksmai / priežiūra:</b>		Patvirtino:	
		Data:	

**1 Kompetentingas asmuo.** Asmuo, kuris geba atpažinti esamus bei nuspėjamus veiksnius, susijusius su aplinka ar darbo sąlygomis, kurie kelia pavojų darbuotojams higienos, sveikatos ar saugos požiūriu, ir kuris yra įgaliotas nedelsiant imtis priemonių jiems pašalinti.

# INFORMĀCIJA PAR DROŠUMU

Pirms lietojat šo ierīci iekļuvei/glābšanai šaurā telpā, lūdz, izlasiet, saprotiet un ievērojiet visu šajā instrukcijā sniegto drošuma informāciju. **PRETĒJĀ GADĪJUMĀ PASTĀV NOPIETNU SAVAINOJUMU VAI NĀVES RISKS.**

Šī instrukcija obligāti jāizsniedz ekipējuma lietotājam. Saglabājiet šo instrukciju, lai varētu to izmantot arī turpmāk.

## Paredzētais lietojums

Šo ierīci iekļuvei/glābšanai šaurā telpā ir paredzēts izmantot kā daļu no pilnas individuālas kritiena aizsardzības vai glābšanas sistēmas.

Citādu lietojumu: tajā skaitā, bet ne tikai neapstiprinātā materiālu pārkraušanā, ar atpūtu vai sportu saistītās vai citās aktivitātēs, kas šajos Norādījumos lietotājam vai Uztādīšanas instrukcijā nav aprakstītas, 3M nav apstiprinājis, un lietošana neparedzētiem nolūkiem var izraisīt smagus ievainojumus vai nāvi.

Šī iekārta paredzēta lietošanai darbavietā tikai apmācītiem lietotājiem.

## BRĪDINĀJUMS!

Šī ierīce iekļuvei/glābšanai šaurā telpā ir daļa no individuālas kritiena aizsardzības vai glābšanas sistēmas. Paredzēts, ka visiem lietotājiem jābūt pilnībā apmācītiem pilnas sistēmas drošā uzstādīšanā un lietošanā. **Nepareizs šīs iekārtas lietojums var izraisīt nopietnu ievainojumu vai nāvi.** Pareizas izvēles, lietošanas, uzstādīšanas, apkopes un servisa nolūkos skatiet visas izstrādājumu instrukcijas un visas ražotāja rekomendācijas, konsultējieties ar savu tiešo vadītāju vai sazinieties ar 3M tehnisko dienestu.

- **Lai mazinātu riskus, kas saistīti ar strādāšanu ar ierīci iekļuvei/glābšanai šaurā telpā un kas, ja no tiem neizvairās, var izraisīt nopietnu ievainojumu vai nāvi:**
  - Pirms katras ierīces lietošanas, vismaz reizi gadā, un pēc katra kritiena pārbaudiet iekārtu. Pārbaudiet atbilstoši Norādījumos lietotājam.
  - Ja pārbaude atklāj nedrošu vai defektīvu stāvokli, izņemiet šo ierīci no lietošanas un labojiet vai nomainiet atbilstoši Norādījumiem lietotājam.
  - Visas ierīces, kas tikušas pakļautas kritiena bloķēšanai vai triecienspēkam, nekavējoties jāizņem no lietošanas. Skatiet Norādījumus lietotājam vai sazinieties ar 3M Fall Protection.
  - Ierīci drīkst uzstādīt tikai tādā veidā, kāds izklāstīts Uztādīšanas norādījumos vai Norādījumos lietotājam. Uzstādīšana un lietošana ārpus šo norādījumu ietvara rakstiski jāapstiprina 3M Fall Protection.
  - Substrātam vai struktūrai, pie kuras ierīce ir piestiprināta, jāspēj izturēt statiskās slodzes, kas noteiktas šai ierīcei, orientācijās, kuras atļauj Norādījumi lietotājam vai Uztādīšanas norādījumi.
  - Nepārsniedziet atļauto lietotāju skaitu.
  - Nekad nestrādājiet zem iekārtas kravas vai strādājošā.
  - Esiet piesardzīgi uzstādot, lietojot un pārvietojot ierīci, jo kustīgas daļas var izveidot iespējamus iespiešanas punktus. Skatiet Norādījumus lietotājam.
  - Nodrošīniet pareizu izslēgšanas/bloķēšanas procedūru ievērošanu pēc vajadzības.
  - Nekad nepievienojiet sistēmai, kamēr tā nav novietota, pilnībā samontēta, pielāgota un uzstādīta. Neveiciet sistēmas pielāgošanu, kamēr tai pievienots lietotājs.
  - Kritiena aizsardzības apskārsistēmas pievienojiet tikai norādītajam enkurojuma pievienošanas punktam uz ierīces.
  - Pirms urbšanas vai piestiprināšanas, pārliecinieties, ka urbis vai ierīce neskar elektrības vadus, gāzes caurules vai citas kritiskas iegultas sistēmas.
  - Nodrošīniet, ka visas kritiena aizsardzības sistēmas/apakšsistēmas, kas sastāv no atšķirīga ražojuma sastāvdaļām, ir savstarpēji saderīgas un atbilst piemērojamiem standartiem, ieskaitot ANSI Z359 vai citus piemērojamos kritiena aizsardzības kodeksus, standartus vai prasības. Pirms šo sistēmu lietošanas vienmēr konsultējieties ar kompetentu vai kvalificētu personu.
- **Lai mazinātu riskus, kas saistīti ar darbu augstumā un kas, ja no iem neizvairās, var izraisīt nopietnu ievainojumu vai nāvi:**
  - Nodrošīniet, ka jūsu veselības un fiziskais stāvoklis ļauj jums droši izturēt visus ar darbu augstumā saistītus spēkus. Ja jums ir kādi jautājumi par savu spēju šo ekipējumu lietot, konsultējieties ar ārstu.
  - Nekad nepārsniedziet sava kritienu aizsardzības ekipējuma veikumu.
  - Nekad nepārsniedziet sava kritienu aizsardzības ekipējuma maksimālo brīvā kritiena distanci.
  - Neizmantojiet nekādu kritiena aizsardzības ekipējumu, kas nav izturējis pirmslietošanas vai citas plānotās pārbaudes, vai, ja jums ir bažas par ekipējumu izmantojamību vai piemērotību jūsu vajadzībām. Ar visiem jautājumiem vērsieties pie 3M tehniskā dienesta.
  - Dažas apakšsistēmu un sastāvdaļu kombinācijas var traucēt šī ekipējuma darbību. Lietojiet tikai saderīgus savienojumus. Pirms šī ekipējuma lietošanas savienojumā ar tādām sastāvdaļām vai apakšsistēmām, kas nav aprakstītas šajos Norādījumos lietotājam, konsultējieties ar 3M.
  - Strādājot kustīgu ierīču tuvumā (piem., naftas platformu augšējās piedziņas sistēmas), apstātkļos, kad pastāv elektrības trieciena, ekstrēmu temperatūru, ķīmiskā apdraudējuma, sprādzienbīstamu vai toksisku gāzu, asu šķautņu radīts risks, vai zem materiāliem, kas var uzkrīst jums vai jūsu kritiena aizsardzības ekipējumam, ievērojiet īpašu piesardzību.
  - Strādājot lielā karstumā, lietojiet Arc Flash vai Hot Works ierīces.
  - Izvairieties no virsmām un priekšmetiem, kas var kaitēt lietotājam vai ekipējumam.
  - Strādājot augstumā, nodrošīniet pienācīgu kritiena klīrensu.
  - Nekad nepārveidojiet vai neizmainiet savu kritiena aizsardzības ekipējumu. Aprīkojumu labot drīkst tikai 3M vai no 3M rakstisku atļauju saņēmušās personas.
  - Pirms kritiena aizsardzības ekipējuma lietošanas pārliecinieties, ka pastāv spēkā esošs glābšanas plāns, kas kritiena gadījumā ļauj veikt tūlītējus glābšanas darbus.
  - Kritiena gadījumā nekavējoties izsauciet medicīnisko palīdzību kritušā aprūpei.
  - Neizmantojiet ķermeņa jostu kritiena bloķēšanai. Izmantojiet tikai pilnķermeņa ekipējumu.
  - Lai pēc iespējas samazinātu svārsta kritienu, pēc iespējas strādājiet tieši zem enkurspunkta.
  - Mācoties lietot šo iekārtu, jāizmanto papildu kritiena aizsardzības sistēma tādā veidā, kas nepakļauj apmācāmo neparedzēta kritiena riskam.
  - Uzstādot, lietojot vai pārbaudot ierīci/sistēmu, vienmēr lietojiet atbilstošus individuālas aizsardzības līdzekļus.

Pirms šī aprīkojuma uzstādīšanas un lietošanas pierakstiet izstrādājuma identifikācijas datus no ID marķējuma šīs rokasgrāmatas beigās esošajā "Pārbaudes un apkopes žurnālā" (2. tabula).

## IZSTRĀDĀJUMA APRAKSTS

1. attēlā parādīts 3M™ DBI-SALA® pretsvara grozs ierīcei piekļuvei/glābšanai šaurā telpā. Šaurai telpai paredzētais pretsvara grozs ir izstrādāts kā pārnēsājama sistēma uzstādīšanai un lietošanai ar mastu, kas savietojams ar ierīces piekļuvei/glābšanai šaurā telpā maināmiem dēvīta elementiem. Sistēma izmanto 20 kg svara plāksnes, kas novietotas uz groza svara statīviem, lai tās izmantotu kā pretsvaru sistēmai kritiena apturēšanai un glābšanai.

2. attēlā parādītas pretsvara groza elementi, kas precizēti 1. tabulā.

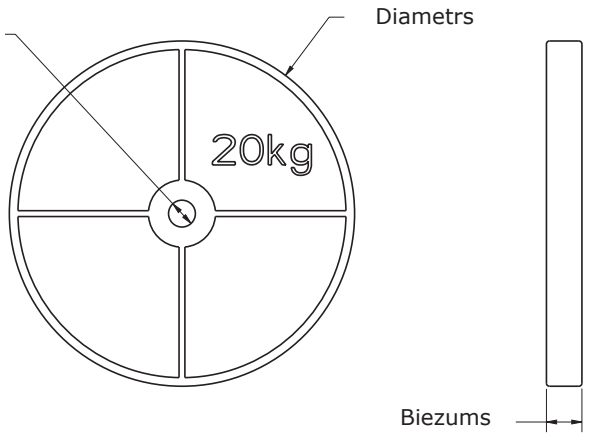
**1. tabula – Specifikācijas**

### Elementu specifikācijas.

2. attēla norāde	Elements	Materiāli
(A)	Kājas montāža	Alumīnija - pulvera pārklājums Oglekļa tērauda - cinka pārklājums
(B)	Centra daļa	Alumīnija - pulvera pārklājums Augsta blīvuma polietilēns
(C)	Pamatnes pagarinājums	Alumīnija - pulvera pārklājums Oglekļa tērauda - cinka pārklājums
(D)	Autoiekrāvēja kabatas	Oglekļa tērauda - pulvera pārklājums
(E)	Pagarinājuma kabata	Alumīnija - pulvera pārklājums
(F)	Groza montāža	Oglekļa tērauda - pulvera pārklājums
(G)	Spiešanas rokturis	Vinils
(H)	Svara plāksnes bloķēšanas tapa	Oglekļa tērauda - pulvera pārklājums
(I)	Bloķēšanas ieliktnis	Oglekļa tērauda - pulvera pārklājums
(J)	Svaru statīvs	Oglekļa tērauda - pulvera pārklājums
(K)	<b>8000123</b> -20 kg svara plāksne (nopērkama atsevišķi)	Oglekļa tērauda - pulvera pārklājums

Atbilst šādām specifikācijām, ja tiek nodrošinātas savas svaru plāksnes. Pretējā gadījumā tiks izraisīts nopietnu savainojumu vai nāves risks.

### Svaru plāksnes specifikācijas:

Svars	20 kg (45 mārciņas)	Stieņa atvērumi	
Stieņa atvērumi	25,4 mm (1") - 38,1 mm (1,25")		
Biezums	Maksimums 36,5 mm (1,44")		
Diametrs	Maksimums 457,2 mm (18")		

## 1. tabula – Specifikācijas

<b>Sistēmas specifikācijas:</b>	
<b>Darba zona</b>	Novērtēts kritiena aizturēšanai un glābšanai kāju priekšpusē. Skatīt 16. attēlu.
<b>Savietojamība</b>	Šajā pamācībā aprakstītās dēvita pamatnes ir savietojamas ar 3M™ DBI-SALA® augstas kapacitātes (HC) īsās aizsniēģšanas un garās aizsniēģšanas dēvita sistēmām. Nepieciešams atbilstošs svāra plāksņu skaits, kā 1. attēlā.
<b>Sistēmas svārs</b>	Ar plāksnēm: (20x)-606 kg (1336 mārciņas). (36x)-925 kg (2039 mārciņas).
	Bez plāksnēm: 206 kg (455 mārciņas)
<b>Izmēri</b>	Pretsvara groza izmērus skatīt 3. attēlā.
<b>Svāra kapacitātes:</b>	
<b>Materiālu apstrādes kapacitāte</b>	205 kg (452 mārciņas)

## 1.0. IZSTRĀDĀJUMA LIETOŠANA

- 1.1. **NOLŪKS.** Davit pamatnes ir paredzātas kā montāžas vietas saderīgām 3M Davit sistēmām. Skatiet attiecīgās Davit sistēmas norādījumus par sistēmas lietošanu un darbību.
- 1.2. **STANDARTI.** Jūsu Davit pamatne atbilst nacionāliem un reģionāliem standartiem, kas norādīti uz šo norādījumu priekšējā vāka. Ja šo izstrādājumu atkārtoti pārdod ārpus sākotnējās mērķa valsts, tālākpārdevējam jānodrošina, lai šie norādījumi būtu pieejami tās valsts valodā, kur šo izstrādājumu lieto.
- 1.3. **UZSTĀDĪŠANA UN UZRAUDZĪBA.** Davit pamatnes uzstādīšana jāuzrauga kompetentai personai<sup>1</sup>. Kvalificētai personai<sup>2</sup> jāpārbauda konstrukcijas uzstādīšanas atbilstība vietējiem un federālajiem noteikumiem. Kvalificētajai personai jāieteic piemēroti fiksatori un pareizs Davit pamatnes novietojums. Davit un pievienotā kritiena aizsardzības ekipējuma lietošana jāuzrauga kompetentai personai.
- 1.4. **IZMANTOŠANAS VIETAS DOKUMENTĒŠANA.** Pēc Davit pamatņu uzstādīšanas to uzstādītājam jāaizpilda Uzstādīšanas dokuments, kas atbilst EN 795 A pielikuma prasībām, un jānodod lietotāja nozīmētam pārstāvim. Uzstādīšanas dokuments jāglabā darba vietā turpmākai pārbaudei.
- 1.5. **APMĀCĪBA.** Šis ekipējums jāuzstāda un jālieto personām, kas apmācītas tā pareizā izmantošanā. Šo rokasgrāmatu var izmantot kā daļu no darbinieka apmācības programmas un/vai vietējiem noteikumiem. Šī ekipējuma lietotāji un uzstādītāji ir atbildīgi par šo norādījumu apgūšanu, par apmācību pareizai ekipējuma apkopei un lietošanai, un viņiem jābūt informētiem par šī ekipējuma lietošanas raksturlielumiem, lietošanas ierobežojumiem un nepareizas lietošanas sekām.
- 1.6. **GLĀBŠANAS PLĀNS.** Lietojot Davit un pievienoto kritiena aizsardzības ekipējumu, darba devējam nepieciešams glābšanas plāns un līdzekļi šī plāna īstenošanai un lietotāju iepazīstināšanai ar šo plānu. Ieteicams, ka uz vietas ir apmācīta glābšanas komanda. Komandas locekļiem jābūt apgādātiem ar aprīkojumu un tehniku veiksmīgas glābšanas veikšanai. Lai nodrošinātu glābēju prasmi, jāveic regulāra apmācība.
- 1.7. **PĀRBAUDES BIEŽUMS.** Davit pamatnes pārbaude lietotājam jāveic pirms katras lietošanas reizes un, papildus tam, kompetentai personai, kas nav lietotājs, ne retāk kā reizi gadā.<sup>3</sup> Pārbaudes procedūras ir aprakstītas «Pārbaudes un apkopes žurnālā». Katras kompetentās personas veiktas pārbaudes rezultāti jāreģistrē «Pārbaudes un apkopes žurnālos».

## 2.0. SISTĒMAS PRASĪBAS

- 2.1. **ENKUROJUMS UN FIKSATORI.** Visām struktūrām un fiksatoriem (ja fiksatori ir piemērojami), kas tiek izmantoti Davit pamatnes piestiprināšanai, jāatbilst «Montāžas prasībām», kas definētas 1. tabulā.
- 2.1. **SASTĀVDAĻU SAVIETOJAMĪBA.** 3M ekipējumu paredzēts lietot tikai kopā ar 3M apstiprinātām sastāvdaļām un apakšsistēmām. Aizvietošana vai nomaigā, izmantojot neapstiprinātas sastāvdaļas vai apakšsistēmas, var apdraudēt ekipējuma savietojamību un var ietekmēt visas sistēmas drošumu un uzticamību.
- 2.2. **INDIVIDUĀLĀ KRITIENA BLOKĒŠANAS SISTĒMA.** Individuālām kritiena bloķēšanas sistēmām (PFAS), izmantojot ar šo sistēmu, jāatbilst piemērojamiem kritiena aizsardzības standartiem, noteikumiem, kodeksiem un prasībām. PFAS ir jāietver ķermeņa piln ekipējums un jāierobežo bloķēšanas spēks ar šādām vērtībām:

	Maksimālais bloķēšanas spēks	Brīvais kritiens
PFAS ar triecienu absorbējošu štropi	6 kN	Brīvā kritiena ierobežojumu skatiet norādījumus, kas ievietoti kopā ar jūsu štropi vai SRD.
PFAS ar pašievelkošu ierīci (SRD)	6 kN	

- 2.3. **RISKI.** Šī aprīkojuma izmantošana vietās, kur pastāv vides riski, prasa papildu piesardzības pasākumus, lai novērstu lietotāja traumatismu vai aprīkojuma bojājumu. Skatiet īpašus riskus, kas var ietekmēt sistēmas izmantošanu, norādījumos par 3M Davit mastu.

<sup>1</sup> **Kompetenta persona:** kāds, kurš spēj identificēt esošos un paredzamos riskus apkārtnē vai darba apstākļos, kas ir antisemitāri, kaitīgi vai bīstami darbiniekiem, un kurš ir pilnvarots nekavējoties veikt koriģējošus pasākumus attiecīgo risku novēršanai.

<sup>2</sup> **Kvalificēta persona:** persona ar atzītu grādu vai profesionālu sertifikātu un plašu pieredzi kritiena aizsardzībā. Šai personai jāspēj projektēt, analizēt, novērtēt un noteikt specifikāciju kritiena aizsardzībā.

<sup>3</sup> **Pārbaudes biežums:** Ekstrēmās darba apstākļos (kaitīga vide, ilgstošs lietojums u.c.) var būt nepieciešamas biežākas kompetentas personas veiktas pārbaudes.

### 3.0. UZSTĀDĪŠANA

**3.1. PLĀNOŠANA.** Pirms pretsvara groza uzstādīšanas izplānojiet savu pretkritiena aizsardzības sistēmu. Novērtējiet visus faktorus, kas var ietekmēt jūsu drošību pirms un pēc kritiena un kritiena laikā. Apsveriet visas prasības, kā definēts 2. sadaļā un 1. tabulā, lai noteiktu pareizu transportlīdzekli un pareizu pretsvara groza novietojumu.

#### 3.2. MONTĀŽA UN UZSTĀDĪŠANA. SKATĪT 4. ATTĒLU.

1. Novietojiet grozu uz līdzenas virsmas. Pārbaudiet līmeņa burbuļus uz groza un pārliecinieties, ka burbuļi ir centrēti.
2. Ievietojiet pamatnes pagarinājumu jebkurā no pagarinājuma kabatas malām; nofiksējiet vietā ar tapu un pieskrūvējiet ar trīsstūrveida skrūvi.
3. Ievietojiet centra daļu pamatnes pagarinājumā un nofiksējiet vietā ar tapu.
4. Ievietojiet abas kāju montāžas centra daļā un nofiksējiet vietā ar tapu.
5. Lai noregulētu pamatnes pagarinājuma garumu, izņemot bloķējošo tapu un atskrūvējiet trīsstūrveida skrūvi, skrūvējot pretēji pulksteņrādītāja virzienam.
6. Pagariniet pamatnes priekšējo daļu virzienā uz āru no groza.
7. Ievietojiet bloķējošo tapu un atkārtoti pieskrūvējiet ar trīsstūrveida skrūvi, skrūvējot pulksteņrādītāja virzienā.
8. Nolīmeņojiet sistēmu, noregulējot līmeņošanas pēdu uz kāju montāžām, līdz līmeņa burbulis ir centrā.
9. Pievienojiet atbilstošu svaru plāksņu daudzumu grozam atbilstoši HC dēvita lietojumam. Skatīt 1. attēlu.
10. Bīdīet bloķēšanas sieliktņi pret svara plāksnēm svara statīva visās 4 malās un nostipriniet, izmantojot sešstūra uzgriežņatslēgu, lai plāksnes nekustētos. Skatīt 5. attēlu.
11. Ievietojiet bloķēšanas tapu svara statīvā. Skatīt 5. attēlu.

*Pacelšanas gredzeni nav paredzēti kritiena aizturēšanai, tikai pacelšanai.*

### 4.0. LIETOŠANA

**4.1. PIRMS KATRAS LIETOŠANAS.** Pārliecinieties, ka jūsu darba zona un individuālā kritiena bloķēšanas sistēma (PFAS) atbilst kritērijiem, kas definēti 2. sadaļā un ir piemērots formāls glābšanas plāns. Pārbaudiet pretsvara grozu atbilstoši «Lietotāja» pārbaudes punktiem, kas definēti «Pārbaudes un apkopes žurnālā» (tabula 2). Ja pārbaude atklāj nedrošu vai bojājuma stāvokli, nelietojiet sistēmu. Izņemiet sistēmu no lietošanas un iznīciniet, vai sazinieties ar 3M par nomaigu vai labošanu.

#### 4.2. LIETOŠANAS LAIKĀ.

*Skrituļu riteņiem jābūt fiksētiem.*

*Paceļot grozu, pievienojiet to abiem gredzeniem.*

*Izmantošanas un transportēšanas laikā ieliktna ass un tapa jānostiprina un jāieviet pēc svara uzlikšanas uz statīviem visās 4 malās. Skatīt 5. attēlu.*

#### 4.3. TRANSPORTĒŠANA/PĒC LIETOŠANAS.

*Transportēšanas laikā detaļas jāsakrauj grozā. Skatīt 7. attēlu.*

*Ietver autokrāvēja kabatas.*

*Grozs ietver pacelšanas gredzenus izmantošanai ar pacelšanas krānu. Pacelšanas ierīce jāpievieno abiem uz groza esošajiem pacelšanas gredzeniem.*

### 5.0. PĀRBAUDE

**5.1. PĀRBAUDES BIEŽUMS.** Pretsvara grozu jāpārbauda 1. sadaļā definētajos intervālos. Pārbaudes procedūras ir aprakstītas «Pārbaudes un apkopes žurnālā». (tabula 2). Pārbaudiet visas pārējās pretkritiena aizsardzības sistēmas sastāvdaļas atbilstoši biežumam un procedūrām, kā definēts ražotāja norādījumos.

**5.2. DEFEKTI.** Ja pārbaude atklāj nedrošu vai defektīvu stāvokli, nekavējoties izņemiet pretsvara grozu no lietošanas, un sazinieties ar 3M par nomaigu vai labošanu. Nemēģiniet labot kritiena bloķēšanas sistēmu.

**Tikai autorizēta labošana:** Šo aprīkojumu labot drīkst tikai 3M rakstisku atļauju saņēmušas personas.


**5.3. IZSTRĀDĀJUMA LIETOŠANAS ILGUMS.** Kritiena bloķēšanas sistēmas kalpošanas laiku nosaka darba apstākļi un apkope. Kamēr izstrādājums atbilst pārbaudes kritērijiem, to var atstāt lietošanā.

## 6.0. APKOPE, SERVISS, UZGLABĀŠANA

- 6.1. TĪRĪŠANA.** Periodiski tīriet pretsvara groza metāla elementus ar mīkstu suku, siltu ūdeni un maigu ziepju šķīdumu. Pārliecinieties, ka daļas ir rūpīgi noskalotas ar tīru ūdeni.
- 6.2. SERVISS.** Šo aprīkojumu drīkst labot tikai 3M vai personas, kas rakstiski autorizētas to darīt. Ja dēvita pamatne tikusi pakļauta kritiena spēkam, vai pārbaude atklāj nedrošus vai efektīvus apstākļus, izņemiet sistēmu no lietošanas un sazinieties ar 3M par nomaiņu vai labošanu.
- 6.3. UZGLABĀŠANA UN TRANSPORTĒŠANA.** Kad pretsvara grozu un ar to saistīto kritiena aizsardzības aprīkojumu nelieto, uzglabājiet un transportējiet to vēsā, sausā, tīrā vidē, sargājot no tiešas saules gaismas. Izvairieties no vietām, kur var būt ķīmikāliju tvaiki. Rūpīgi pārbaudiet elementus pēc ilgstošas uzglabāšanas.

## 7.0. MARĶĒJUMS

8. attēlā redzami uz pretsvara groza esošie marķējumi. Marķējums jānomaina, ja tas nav labi salasāms. Katrā marķējumā ir šāda informācija:

	Izlasiet visus norādījumus.
1	CE standarta sertifikācija
2	Atbilst EN1496:2012 testēšanas prasībām
3	Pretsvara groza sistēmas un plāksnes specifikācijas
4	AS/NZS standarta sertifikācija
5	A) Izgatavots (gads, mēnesis) B) Modeļa numurs C) Sērijas numurs
6	Groza svara un plāksnes specifikācijas
7	Brīdinājums par tikai pacelšanu
8	A) Maksimālā dēvita pleca nobīde B) Novērtēts 205 kg (452 lbs) materiāla apstrādei C) Personiskā kritiena aizturēšanas sistēma (PFAS) Maksimālais aizturēšanas spēks (MAF) $\leq 6$ kN (1350 lbs)



### 3. tabula – Pārbaudes un apkopes žurnāls

Pārbaudes datums:		Pārbaudes veicējs:	
Elementi:	Pārbaude: <i>(Pārbaudes biežumu skatiet 1. sadaļā)</i>	Lietotājs	Kompetentā persona <sup>1</sup>
Pretsvaru grozs (1. attēls)	Pārbaudiet, vai pretsvaru grozam nav plaisu, iespaidumu vai deformācijas.	<input type="checkbox"/>	<input type="checkbox"/>
	Pārbaudiet visu ierīci, vai nav korozijas pazīmju.	<input type="checkbox"/>	<input type="checkbox"/>
Marķējumi (8. un 9. attēls)	Pārliedziniet, ka viss marķējums ir droši piestiprināts un ir salasāms (skatiet "Marķējums")	<input type="checkbox"/>	<input type="checkbox"/>
PFAS un cits aprīkojums	Individuālās kritiena bloķēšanas sistēmas (PFAS) papildu aprīkojums (iejūgs, SRL utt.), kas tiek lietots kopā ar pie sienas piemontējamo dēvita pamatni, ir jāuzstāda un jāpārbauda atbilstoši ražotāja norādījumiem.	<input type="checkbox"/>	<input type="checkbox"/>
<b>Sērijas numurs(-i):</b>		<b>Iegādes datums:</b>	
<b>Modeļa numurs:</b>		<b>Pirmās lietošanas datums:</b>	
<b>Koriģējoša darbība/Apkope:</b>		Apstiprināja:	
		Datums:	
<b>Koriģējoša darbība/Apkope:</b>		Apstiprināja:	
		Datums:	
<b>Koriģējoša darbība/Apkope:</b>		Apstiprināja:	
		Datums:	
<b>Koriģējoša darbība/Apkope:</b>		Apstiprināja:	
		Datums:	
<b>Koriģējoša darbība/Apkope:</b>		Apstiprināja:	
		Datums:	
<b>Koriģējoša darbība/Apkope:</b>		Apstiprināja:	
		Datums:	
<b>Koriģējoša darbība/Apkope:</b>		Apstiprināja:	
		Datums:	
<b>Koriģējoša darbība/Apkope:</b>		Apstiprināja:	
		Datums:	
<b>Koriģējoša darbība/Apkope:</b>		Apstiprināja:	
		Datums:	
<b>Koriģējoša darbība/Apkope:</b>		Apstiprināja:	
		Datums:	
<b>Koriģējoša darbība/Apkope:</b>		Apstiprināja:	
		Datums:	

**1 Kompetenta persona:** kāds, kurš spēj identificēt esošos un paredzamos riskus apkārtņē vai darba apstākļos, kas ir antisantāri, kaitīgi vai bīstami darbiniekiem, un kurš ir pilnvarots nekavējoties veikt koriģējošus pasākumus attiecīgo risku novēršanai.

# VEILIGHEIDSINFORMATIE

Lees alle veiligheidsinformatie in deze instructies voordat u dit systeem voor het betreden van/reddingswerk in besloten ruimten gebruikt en vergewis u ervan dat u alle informatie begrepen hebt en volgt. **NALATIGHEID KAN ERNSTIG LETSEL OF DE DOOD TOT GEVOLG HEBBEN.**

Deze instructies dienen aan de gebruiker van deze apparatuur verstrekt te worden. Bewaar deze instructies zodat u ze later kunt raadplegen.

## Beoogd gebruik:

Dit systeem voor het betreden van/reddingswerk in besloten ruimten is bedoeld voor gebruik als onderdeel van een volledig persoonlijk valbeveiligingssysteem of reddingssysteem.

Gebruik in andere toepassingen, inclusief (maar niet beperkt tot) niet goedgekeurde toepassingen in materiaalbehandeling, vrijetijdsactiviteiten, sporten of andere activiteiten die niet in de gebruiks- of installatie instructies omschreven staan, wordt niet goedgekeurd door 3M en kan leiden tot een ongeval met ernstig letsel of de dood tot gevolg.

Dit apparaat mag uitsluitend worden gebruikt door opgeleide gebruikers voor toepassing op de werkplaats.



## WAARSCHUWING

Dit systeem voor het betreden van/reddingswerk in besloten ruimten is onderdeel van een persoonlijk valbeveiligingssysteem of reddingssysteem. Er wordt verwacht dat alle gebruikers volledig zijn opgeleid voor een veilige installatie en veilig gebruik van het complete systeem. **Misbruik van dit apparaat kan leiden tot ernstig letsel of een dodelijk ongeval.** Raadpleeg voor het correct selecteren, installeren, bedienen, onderhouden en verzorgen alle productinstructies, inclusief alle aanbevelingen van de fabrikant, of raadpleeg uw leidinggevende of neem contact op met 3M Technical Services.

- **Doe het volgende om de risico's te beperken die gepaard gaan met het werken met een systeem voor het betreden van/reddingswerk in besloten ruimten, waarbij nalatigheid kan leiden tot ernstig letsel of een dodelijk ongeval:**
  - Inspecteer voorafgaand aan elk gebruik alle onderdelen van het systeem, minstens één keer per jaar en na elke valgebeurtenis. Voer de inspectie uit aan de hand van de gebruiksaanwijzing.
  - Als uit inspectie een defect of onveilige werking blijkt, stelt u het apparaat onmiddellijk buiten gebruik en zorgt u voor reparatie of vervanging volgens de gebruiksinstructies.
  - Systemen die onderworpen zijn aan valstop- of botskrachten, moeten onmiddellijk buiten gebruik worden gesteld. Raadpleeg de gebruikersinstructies of neem contact op met 3M Valbescherming.
  - Het apparaat mag alleen worden geïnstalleerd op de wijze die is beschreven in de installatie-instructies of gebruikersinstructies. Installaties en gebruik dat buiten het bereik van de instructie valt moet schriftelijk door 3M Fall Protection zijn goedgekeurd.
  - Het substraat of de structuur waarop het apparaat is bevestigd/gepositioneerd, moet de statische belastingen die zijn opgegeven voor het apparaat, kunnen ondersteunen in de oriëntaties die in de gebruiksaanwijzing of installatie-instructies zijn toegestaan.
  - Het aantal geoorloofde gebruikers niet overschrijden.
  - Werk nooit onder een hangende lading of werknemer.
  - Wees voorzichtig bij het installeren, gebruiken en verplaatsen van het apparaat aangezien bewegende delen potentiële afknelpunten kunnen creëren. Raadpleeg de gebruikersinstructies.
  - Zorg ervoor dat er correcte uitschakelprocedures, zoals van toepassing, zijn gevolgd.
  - Verbind u nooit aan een systeem voordat het volledig is gemonteerd, geplaatst, aangepast en geïnstalleerd. Stel het systeem niet bij wanneer een gebruiker is aangesloten.
  - Sluit beveiligingssubsystemen uitsluitend aan op het aangewezen verbindingspunt van het apparaat.
  - Zorg er bij het boren van gaten voor montage of installatie van het systeem voor dat er geen elektrische kabels, gasleidingen of andere kritische materialen of apparatuur door de boor kunnen worden geraakt.
  - Zorg ervoor dat valbeveiligingssystemen/-subsystemen samengesteld uit onderdelen van verschillende fabrikanten compatibel zijn en aan de geldende normen voldoen, waaronder ANSI Z359 of andere geldende voorschriften, normen of vereisten op het gebied van valbescherming. Raadpleeg altijd een deskundige en/of een gekwalificeerd persoon voordat u deze systemen gebruikt.
- **Doe het volgende om de risico's te beperken die gepaard gaan met het werken op hoogte, waarbij nalatigheid kan leiden tot een ongeval met ernstig letsel of de dood tot gevolg:**
  - Vergewist u zich ervan dat u met uw gezondheid en lichamelijke conditie veilig bestand bent tegen alle krachten die kunnen optreden bij het werken op hoogte. Raadpleeg uw arts als u vragen heeft over of u in staat bent om deze uitrusting te gebruiken.
  - Overschrijd nooit de toelaatbare capaciteit van uw valbeveiligingsuitrusting.
  - Overschrijd nooit de maximale vrijevalafstand van uw valbeveiligingsuitrusting.
  - Gebruik nooit valbeveiligingsuitrusting die een gebrek vertoont bij de inspectie vóór het gebruik of andere periodieke inspecties, of als u onzeker bent over het gebruik of de geschiktheid van de uitrusting voor uw toepassing. Neem voor al uw vragen contact op met 3M Technical Services.
  - Sommige combinaties van subsystemen en componenten kunnen de werking van deze uitrusting verstoren. Gebruik uitsluitend koppelingen die onderling geschikt zijn. Raadpleeg 3M voordat u deze apparatuur gebruikt in combinatie met andere componenten of subsystemen dan in de gebruikersinstructies beschreven staan.
  - Wees extra voorzichtig bij het werken in de buurt van bewegende machines (bijv. de bovenaandrijving van een boorplatform), op plaatsen met elektrische gevaren, extreme temperaturen, gevaar van chemische middelen, explosieve of giftige gassen, scherpe randen of onder voorwerpen boven het hoofd die op u of uw valbeveiligingsuitrusting kunnen vallen.
  - Gebruik bij werken in een hete omgeving of met hitteapparatuur beschermingsmiddelen tegen risico's op een vlamboog en brandgevaar.
  - Vermijd oppervlakken en voorwerpen die de gebruiker of de uitrusting kunnen beschadigen.
  - Vergewist u zich ervan dat er voldoende vrije val is bij werken op hoogte.
  - Wijzig of verander uw valbeveiligingsuitrusting nooit. Alleen 3M, of partijen die door 3M schriftelijk zijn geautoriseerd, mogen de uitrusting repareren.
  - Zorg voordat de valbeveiligingsuitrusting in gebruik wordt genomen dat er een reddingsplan aanwezig is waarmee in geval van een ongeval snel hulp kan worden geboden.
  - Laat na een val de betreffende persoon onmiddellijk door een arts onderzoeken.
  - Gebruik geen lichaamsgordel voor valstop-toepassingen. Gebruik uitsluitend een volledig lichaamsharnas.
  - Minimaliseer zwenkvallen door zo recht mogelijk onder het ankerpunt te werken.
  - Bij training met dit apparaat moet een tweede valbeveiligingssysteem worden gebruikt om elk risico te vermijden dat de gebruiker-in-training per ongeluk aan valgevaar wordt blootgesteld.
  - Draag altijd geschikte persoonlijke beschermingsmiddelen bij het installeren, gebruiken of inspecteren van het apparaat/systeem.

Noteer, voorafgaand aan het gebruik of de installatie van deze apparatuur, de productidentificatiegegevens van het ID-label in het logboek voor inspectie en onderhoud (tabel 2) achter in deze handleiding.

### PRODUCTBESCHRIJVING:

Afbeelding 1 geeft de 3M™ DBI-SALA® contragewichtwagen voor toegang tot/reddingswerk in besloten ruimten weer. De contragewichtwagen voor toegang tot/reddingswerk in besloten ruimten is ontworpen als draagbaar systeem dat kan worden opgezet en gebruikt met een mast van een compatibele 3M DBI-SALA variabele offsetdavits voor toegang tot/reddingswerk in besloten ruimtes. Het systeem gebruikt gewichtsplaten van 20 kg die op de gewichtsstellage van de wagen worden geplaatst als tegengewicht voor het systeem dat wordt gebruikt voor de valstop en redding.

Afbeelding 2 geeft de componenten van de contragewichtwagen weer die zijn gespecificeerd in Tabel 1.

**Tabel 1 – Specificaties**

Componentspecificaties:		
Referentie in afbeelding 2	Onderdeel	Materialen
(A)	Pootconstructie	Aluminium - gepoedercoat Koolstofstaal - verzinkt
(B)	Middengedeelte	Aluminium - gepoedercoat Polyethyleen met hoge dichtheid
(C)	Basisverlenging	Aluminium - gepoedercoat Koolstofstaal - verzinkt
(D)	Vakken voor vorkheftruck	Koolstofstaal - gepoedercoat
(E)	Verlengingsvak	Aluminium - gepoedercoat
(F)	Wagenmontage	Koolstofstaal - gepoedercoat
(G)	Duwhendel	Vinyl
(H)	Borgpen gewichtsplaat	Koolstofstaal - gepoedercoat
(I)	Vergrendelingskraag	Koolstofstaal - gepoedercoat
(J)	Gewichtsstellage	Koolstofstaal - gepoedercoat
(K)	<b>8000123</b> -20 kg gewichtsplaat (wordt afzonderlijk verkocht)	Koolstofstaal - gepoedercoat

Voldoet aan de volgende specificaties als het zijn eigen gewichtsplaten draagt. Nalatigheid kan letsel of de dood tot gevolg hebben.

Specificaties gewichtsplaten:		
Gewicht	20 kg (45 lbs)	
Opening staaf	25,4 mm (1") - 38,1 mm (1.25")	
Dikte	Maximaal 36,5 mm (1,44")	
Diameter	Maximaal 457,2 mm (18")	

**Tabel 1 – Specificaties**

<b>Systeemspecificaties:</b>	
<b>Werkgebied</b>	Gekeurd voor valstop en redding voor de poten. Zie afbeelding 6.
<b>Compatibiliteit</b>	De davitbases die in deze instructie worden behandeld, zijn compatibel met 3M™ DBI-SALA® (HC) davitsystemen met hoge capaciteit met korte en lange reikwijdte. De juiste hoeveelheid benodigde gewichtsplaten in afbeelding 1.
<b>Systeemgewicht:</b>	Met platen: (20x)-606 kg (1.336 lbs). (36x)-925 kg (2.039 lbs).
	Zonder platen: 206 kg (455 lbs)
<b>Afmetingen</b>	Zie afbeelding 3 voor de afmetingen van de contragewichtwagen.
<b>Gewichtscapaciteiten:</b>	
<b>Capaciteit materiaalhantering</b>	205 kg (452 lbs)

## 1.0 TOEPASSING VAN HET PRODUCT

- 1.1 DOEL:** Davitbasissen zijn ontworpen bevestigingspunten voor compatibele 3M-davitsystemen. Raadpleeg de betreffende davitsysteem-instructies voor het gebruik en de functionaliteit van het systeem.
- 1.2 NORMEN:** Deze davitbasis voldoet aan de nationale of regionale norm(en) die staan vermeld op de omslag van deze instructies. Als dit product opnieuw verkocht wordt buiten het oorspronkelijke land van bestemming, dient de wederverkoper deze instructies te leveren in de taal van het land waarin het product gebruikt zal worden.
- 1.3 INSTALLATIE EN TOEZICHT:** De installatie van de davitbasis moet onder toezicht staan van een deskundige<sup>1</sup>. Een gekwalificeerd persoon<sup>2</sup> moet controleren of de constructie van de installatie voldoet aan de lokale en overheidsnormen. Een gekwalificeerd persoon moet aanbevelingen doen over de correcte bevestigingsmiddelen en de correcte plaatsing van de davitbasis. Het gebruik van de davit en de daaraan bevestigde valbeveiligingsapparatuur moet onder toezicht van een deskundige staan.
- 1.4 SITEDOCUMENTATIE:** Na de montage en installatie van de davitbasissen dient de installateur het formulier 'Installatiedocumentatie' dat voldoet aan de informatievereisten van EN795 Bijlage A te voltooien en te overhandigen aan de aangewezen vertegenwoordiger van de gebruiker. De installatiedocumentatie dient te worden bewaard op de werkplek voor gebruik bij later onderzoek.
- 1.5 TRAINING:** Deze apparatuur moet geïnstalleerd en gebruikt worden door personen die getraind zijn in de juiste toepassing van deze apparatuur. Deze handleiding kan worden gebruikt als onderdeel van een trainingsprogramma voor medewerkers en/of regionale voorschriften. Het is de verantwoordelijkheid van de gebruikers en installateurs van deze apparatuur om zich ervan te verzekeren dat ze deze instructies kennen, getraind zijn in het juiste gebruik en de verzorging van de apparatuur, en dat ze zich bewust zijn van de gebruikskennmerken, toepassingsbeperkingen en de gevolgen van enig onjuist gebruik van deze apparatuur.
- 1.6 REDDINGSPLAN:** Wanneer deze davit en de verbonden valbeschermingsapparatuur worden gebruikt, dient de werkgever te beschikken over een reddingsplan. Ook moet de werkgever middelen binnen bereik hebben om het reddingsplan te implementeren en te communiceren met gebruikers. Het wordt aanbevolen dat een getraind reddingsteam ter plekke aanwezig is. Teamleden moeten de apparatuur en technieken aangeleverd krijgen om een succesvolle reddingsactie te verrichten. Er moet op periodieke basis training gegeven worden om ervoor te zorgen dat de kennis van de redders actueel blijft.
- 1.7 REGELMAAT VAN INSPECTIES:** Iedere gebruiker dient de davitbasis voorafgaand aan gebruik te inspecteren. Eventueel kan het apparaat ook worden beoordeeld door een andere deskundige dan de gebruiker. Er mag niet meer dan een jaar tussen de inspecties liggen.<sup>3</sup> De inspectieprocedures zijn beschreven in het "Logboek voor inspectie en onderhoud". De resultaten van elke inspectie door een deskundige moeten worden genoteerd op kopieën van het "Inspectie- en onderhoudslogboek".

## 2.0 SYSTEEMVEREISTEN

- 2.1 VERANKERING EN BEVESTIGINGSMIDDELEN:** Alle constructies en bevestigingsmiddelen (bevestigingsmiddelen indien van toepassing) die gebruikt worden om de davitbasis te bevestigen, moeten voldoen aan de "Montagevereisten" zoals gedefinieerd in tabel 1.
- 2.1 COMPATIBILITEIT VAN ONDERDELEN:** 3M-apparatuur is alleen ontworpen voor gebruik met andere door 3M goedgekeurde onderdelen en subsystemen. Substituties of vervangingen door niet-goedgekeurde onderdelen of subsystemen kunnen de compatibiliteit van apparatuur in gevaar brengen en kunnen de veiligheid en betrouwbaarheid van het volledige systeem beïnvloeden.
- 2.2 PERSOONLIJK VALSTOPSYSTEEM:** Persoonlijke systemen voor valbescherming (PFAS) die worden gebruikt in combinatie met het systeem moeten voldoen aan de geldende normen, codes en vereisten voor valbescherming. De PFAS moet gebruikmaken van een volledig lichaamsharnas en de valstopkracht beperken tot de volgende waarden:

	Maximale valstopkracht	Vrije val
PFAS met schokdempende lijnen	6 kN (1.350 lb)	Raadpleeg de instructie(s) bij uw lijn of SRD voor beperkingen van de vrije val.
PFAS met automatisch blokkerend valstopstelsel (SRD)	6 kN (1.350 lb)	

- 2.3 GEVAREN:** Gebruik van deze apparatuur in gebieden met gevaren voor het milieu kunnen aanvullende voorzorgsmaatregelen vereisen om de mogelijkheid van letsel voor de gebruiker of beschadiging aan de apparatuur te voorkomen. Raadpleeg de 3M-davitmastinstructie voor specifieke gevaren die van invloed kunnen zijn op het gebruik van het systeem.

<sup>1</sup> **Deskundige:** Een persoon die in staat is om bestaande en voorspelbare gevaren in de werkomgeving of -omstandigheden te identificeren die onhygiënisch, gevaarlijk of riskant zijn voor werknemers, en die bevoegd is om direct corrigerende acties te ondernemen om gevaren te elimineren.

<sup>2</sup> **Gekwalificeerd persoon:** Een persoon met een erkende graad of een professioneel certificaat en uitgebreide ervaring op het gebied van valbeveiliging. Deze persoon moet in staat zijn tot het ontwerpen, analyseren, evalueren en specificeren van producten op het gebied van valbeveiliging.

<sup>3</sup> **Regelmaat van inspectie:** Extreme werkomstandigheden (moeilijke omgevingen, langdurig gebruik, enz.) kunnen vereisen dat de frequentie van inspecties door deskundigen wordt opgevoerd.

### 3.0 INSTALLATIE

**3.1 PLANNING:** Plan uw valbeveiligingssysteem voordat u de verankering met contragewichtwagen plaatst. Let op alle factoren die uw veiligheid vóór, gedurende en na een val kunnen beïnvloeden. Overweeg alle vereisten die zijn gedefinieerd in Sectie 2 en Tabel 1 om het juiste voertuig en de juiste plaatsing van de contragewichtwagen te bepalen.

**3.2 MONTAGE EN INSTALLATIE:** Zie afbeelding 4.

1. Plaats de wagen op een vlak oppervlak. Controleer de libel op de wagen en zorg dat de bellen gecentreerd zijn.
2. Plaats de basisverlenging aan beide zijden van de verlengingsvakken; zet het op zijn plaats vast en draai de uit drie delen bestaande schroef vast.
3. Plaats het middelste gedeelte in de basisverlenging en zet het op zijn plaats vast.
4. Steek beide pootmontages in het middengedeelte en bevestig ze op hun plaats.
5. Om de lengte van de basisverlenging aan te passen, verwijdert u de borgpen en draait u de uit drie delen bestaande schroef los door tegen de klok in te draaien.
6. Verleng het voorste deel van de basis naar buiten toe, weg van de kar.
7. Breng de borgpen aan en draai de uit drie delen bestaande schroef weer vast door met de klok mee te draaien.
8. Stel het systeem waterpas door de stelvoeten op de pootmontages aan te passen totdat de bel gecentreerd is.
9. Voeg de juiste hoeveelheid gewichtsplaten toe aan de kar, afhankelijk van waarvoor de HC davit wordt gebruikt. Zie afbeelding 1.
10. Schuif de vergrendelkraag tegen de gewichtsplaten aan alle 4 de zijden van de gewichtsstellage en draai het vast met een inbussleutel, om te voorkomen dat de platen bewegen. Zie afbeelding 5.
11. Breng de borgpen aan in de gewichtsstellage. Zie afbeelding 5.

*Hijsgogen zijn niet voor valstop, alleen voor heffen boven het hoofd.*

### 4.0 GEBRUIK

**4.1 VÓÓR ELK GEBRUIK:** Zorg ervoor dat uw werkgebied en persoonlijk systeem voor valbescherming (PFAS) voldoen aan alle criteria zoals gedefinieerd in Sectie 2 en dat er een formeel reddingsplan aanwezig is. Inspecteer de contragewichtwagen volgens de 'Gebruikers'-inspectiepunten zoals gedefinieerd in het "Logboek voor inspectie en onderhoud" (tabel 2). Gebruik het systeem niet indien inspectie een onveilige of defecte conditie aan het licht brengt. Stel het systeem buiten dienst en vernietig het, of neem contact op met 3M aangaande de vervanging of reparatie van het systeem.

**4.2 TIJDENS HET GEBRUIK:**

*Zwenkwiel moet worden vergrendeld.*

*Verbind met beide ogen tijdens het heffen van de wagen.*

*De kraagas en de splitpen moeten worden vastgemaakt en aangrijpen nadat de gewichten aan alle 4 de zijden op de rekken zijn geplaatst tijdens gebruik en transport. Zie afbeelding 5.*

**4.3 TRANSPORT/NA HET GEBRUIK:**

*Tijdens het transport moeten de onderdelen op de wagen worden opgeborgen. Zie Figuur 7.*

*Inclusief vakken voor vorkheftruck.*

*De wagen bevat hijsgogen voor gebruik met een bovenloopkraan. De hijsinrichting moet worden verbonden met beide hijsgogen op de wagen.*

### 5.0 INSPECTIE

**5.1 REGELMAAT VAN INSPECTIE:** De contragewichtwagen moet worden geïnspecteerd bij intervallen die zijn gedefinieerd in Sectie 1. Inspectieprocedures worden beschreven in het 'Inspectie- en onderhoudslogboek' (tabel 2) Inspecteer alle andere componenten van het valbeveiligingssysteem volgens de frequenties en procedures die zijn vastgelegd in de instructies van de fabrikant.

**5.2 DEFECTEN:** Als de inspectie een onveilige of defecte staat aan het licht brengt, moet u de contragewichtwagen onmiddellijk buiten dienst stellen en contact opnemen met 3M aangaande vervanging of reparatie. Probeer het valstopsysteem niet te repareren.

***Het systeem mag alleen door een geautoriseerde persoon gerepareerd worden: Alleen 3M of partners die hiervoor schriftelijk zijn geautoriseerd, mogen deze apparatuur repareren.***

**5.3 GEBRUIKSDUUR VAN HET PRODUCT:** De functionele levensduur van het valstopsysteem is afhankelijk van werkomstandigheden en onderhoud. Zolang het product bij inspectie aan de criteria voldoet, kan het in gebruik blijven.

## 6.0 ONDERHOUD, SERVICE, OPSLAG

**6.1 REINIGEN:** Reinig periodiek de metalen onderdelen van de contragewichtwagen met een zachte borstel, warm water en een milde zeepoplossing. Zorg ervoor dat de onderdelen grondig worden gespoeld met schoon water.

**6.2 ONDERHOUD:** Alleen 3M of partners die hiervoor schriftelijk door 3M zijn geautoriseerd, mogen deze apparatuur repareren. Indien de davitbasis onderhevig is geweest aan valkracht of indien inspectie onveilige of gebrekkige omstandigheden aan het licht brengt, moet u het systeem buiten gebruik stellen en contact opnemen met 3M om mogelijkheden voor vervanging of reparatie te bespreken.

**6.3 OPSLAG EN TRANSPORT:** Wanneer ze niet worden gebruikt, dient u de contragewichtwagen en bijbehorende valbeschermingsapparatuur op te slaan en te vervoeren in een koele, droge, schone omgeving en buiten bereik van direct zonlicht. Vermijd plekken waar chemische dampen kunnen voorkomen. Inspecteer de onderdelen grondig na een langdurige opslag.

## 7.0 LABELS

Afbeelding 8 geeft de labels op de contragewichtwagen weer. Labels moeten worden vervangen wanneer ze niet volledig leesbaar zijn. Elk label bevat de volgende informatie:

	Lees alle instructies.
1	Certificering CE-normen
2	Voldoet aan testvereisten volgens EN1496:2012
3	Specificaties systeem en platen contragewichtwagen
4	Certificering AS/NZS-normen
5	A) Gefabriceerd (jaar, maand) B) Modelnummer C) Serienummer
6	Specificaties gewicht van wagen en platen
7	Waarschuwing alleen hijsen
8	A) Maximale afstand van davitarm B) Gekeurd voor hanteren van materiaal tot 205 kg (452 lbs) C) Persoonlijk systeem voor valbescherming (PFAS) Maximale valstopkracht (MAF) $\leq 6$ kN (1.350 lbs)

**Tabel 3 – Inspectie- en onderhoudslogboek**

Inspectiedatum:		Geïnspecteerd door:	
Componenten:	Inspectie: <i>(Zie sectie 1 voor inspectiefrequentie)</i>	Gebruiker	Deskundige persoon <sup>1</sup>
Contragewichtwagen (afbeelding 1)	Inspecteer de contragewichtwagen op scheuren, deuken of vervormingen.	<input type="checkbox"/>	<input type="checkbox"/>
	Inspecteer het gehele apparaat op tekenen van roest.	<input type="checkbox"/>	<input type="checkbox"/>
Labels (afbeeldingen 8 en 9)	Controleer of alle labels stevig zijn bevestigd en goed leesbaar zijn (zie 'Labels')	<input type="checkbox"/>	<input type="checkbox"/>
PFAS en andere apparatuur	Een aanvullend persoonlijk systeem voor valbescherming (PFAS) (harnas, SRL, enz.) dat met de wandmontagedavitbasis worden gebruikt, moet volgens de instructies van de fabrikant worden geïnstalleerd en geïnspecteerd.	<input type="checkbox"/>	<input type="checkbox"/>
<b>Serienummer(s):</b>		<b>Aankoopdatum:</b>	
<b>Modelnummer:</b>		<b>Datum van eerste gebruik:</b>	
<b>Oplossing/Onderhoud:</b>		Goedgekeurd door:	
		Datum:	
<b>Oplossing/Onderhoud:</b>		Goedgekeurd door:	
		Datum:	
<b>Oplossing/Onderhoud:</b>		Goedgekeurd door:	
		Datum:	
<b>Oplossing/Onderhoud:</b>		Goedgekeurd door:	
		Datum:	
<b>Oplossing/Onderhoud:</b>		Goedgekeurd door:	
		Datum:	
<b>Oplossing/Onderhoud:</b>		Goedgekeurd door:	
		Datum:	
<b>Oplossing/Onderhoud:</b>		Goedgekeurd door:	
		Datum:	
<b>Oplossing/Onderhoud:</b>		Goedgekeurd door:	
		Datum:	
<b>Oplossing/Onderhoud:</b>		Goedgekeurd door:	
		Datum:	
<b>Oplossing/Onderhoud:</b>		Goedgekeurd door:	
		Datum:	
<b>Oplossing/Onderhoud:</b>		Goedgekeurd door:	
		Datum:	

**1 Deskundige persoon:** Een persoon die in staat is om bestaande en voorspelbare gevaren in de werkomgeving of -omstandigheden te identificeren die onhygiënisch, gevaarlijk of riskant zijn voor werknemers, en die bevoegd is om direct corrigerende acties te ondernemen om gevaren te elimineren.



Vennligst les, forstå og følg all sikkerhetsinformasjon i disse instruksjonene før du tar i bruk denne inngangs- og redningsenheten for trange rom. **UNNLATELSE AV Å GJØRE DETTE KAN FØRE TIL ALVORLIG SKADE ELLER DØD.**

Disse instruksjonene må gis til brukeren av utstyret. Ta vare på disse instruksjonene for fremtidig referanse.

## Tilsiktet bruk:

Denne inngangs- og redningsenheten for trange rom er beregnet for bruk som del av et komplett personlig fallsikrings- og/eller redningssystem.

Bruk i en hvilken som helst annen sammenheng inkludert, men ikke begrenset til, materialhåndtering, fritidsbruk eller idrettsrelaterte aktiviteter, eller andre aktiviteter som ikke beskrives i Brukerinstruksjonene eller Installeringsinstruksjonene, er ikke godkjent av 3M og kan resultere i alvorlig personskade eller død.

Denne innretningen skal bare brukes av opplærte brukere i arbeidsplassanvendelser.

## ADVARSEL

Denne inngangs- og redningsenheten for trange rom er del av et personlig fallsikrings- og/eller redningssystem. Det forventes at alle brukere er fullt opplært i sikker installering og betjening av det fullstendige systemet. **Misbruk av denne innretningen kan resultere i alvorlig personskade eller død.** For riktig utvalgelse, betjening, installering, vedlikehold og service, se alle produktinstruksjoner, inkludert alle produsentens anbefalinger, snakk med din arbeidsleder, eller kontakt 3M Tekniske tjenester.

- **For å redusere risikoene som er forbundet med å arbeide med en inngangs- og redningsenhet for trange rom som, om de ikke unngås, kan resultere i alvorlig personskade eller død:**
  - Inspiser innretningen før hver bruk, minst én gang årlig, og etter enhver fallhendelse. Inspiser i samsvar med bruksanvisningene.
  - Hvis inspeksjonen avdekker en utrygg eller defekt tilstand, må enheten tas ut av tjeneste og du må ta kontakt med et autorisert servicesenter for å få den reparert.
  - Enhver innretning som er blitt belastet som følge av fall eller støtkrefter, må umiddelbart tas ut av bruk og destrueres. Se Brukerinstruksjonene eller ta kontakt med 3M Fallsikring.
  - Innretningen må kun være installert på den måten som spesifiseres i Installeringsinstruksjonene eller Brukerinstruksjonene. Installeringer og bruk utenfor rammen av instruksjonene må godkjennes skriftlig av 3M Fallsikring.
  - Det underlag eller den struktur som innretningen er festet til må være i stand til å motstå de statiske belastningene som spesifiseres for innretningen i orienteringer tillatt i Brukerinstruksjonene eller Installeringsinstruksjonene.
  - Ikke overskrid antall tillatte brukere.
  - Utfør aldri arbeid under en opphengt last eller arbeider.
  - Utvis forsiktighet ved installering, bruk og flytting av innretningen da bevegelige deler vil kunne skape potensielle klemmepunkter. Se Brukerinstruksjonene.
  - Sørg for at ordentlige utestengningsprosedyrer er blitt fulgt slik de skal.
  - Fest deg aldri til et system før det er posisjonert, fullstendig montert, justert og installert. Ikke juster systemet mens en bruker er festet.
  - Fallsikringsundersystemene må bare kobles til det angitte ankringskoblingspunkt på innretningen.
  - Før boring eller fastgjøring, se til at ingen elektriske ledninger, gassledninger eller andre kritiske innebygde systemer vil komme i kontakt med boret eller innretningen.
  - Sørg for at fallsikringsystemer/undersystemer som er satt sammen av komponenter fremstilt av forskjellige produsenter er kompatible og oppfyller kravene i gjeldende standarder, inkludert ANSI Z359 eller andre gjeldende fallsikringsnormer, standarder, eller krav. Rådfør deg alltid med en kompetent eller kvalifisert person før du bruker disse systemene.
- **For å redusere risikoen som er forbundet med arbeid i høyden, om det ikke unngås, kan resultere i alvorlig personskade eller død:**
  - Sørg for at din helse og fysiske tilstand gjør det mulig for deg sikkert å motstå alle de krefter som er forbundet med arbeid i høyden. Rådfør deg med legen din hvis du har noen spørsmål angående din evne til å bruke dette utstyret.
  - Du må aldri overskride tillatt kapasitet for ditt fallsikringsutstyr.
  - Du må aldri overskride maksimal frifallavstand for ditt fallsikringsutstyr.
  - Ikke bruk noe fallsikringsutstyr som ikke består inspeksjoner før bruk eller andre planmessige inspeksjoner, eller dersom du har bekymringer om bruken, eller om hvor egnet utstyret kan være for ditt bruksområde. Kontakt 3M Tekniske tjenester med eventuelle spørsmål.
  - Noen delsystemer og delekombinasjoner kan hindre bruken av dette utstyret. Bruk kun kompatible koblinger. Kontakt 3M dersom dette utstyret blir brukt sammen med andre komponenter eller delsystemer enn de som beskrives i Brukerinstruksjonene.
  - Utvis ekstra forsiktighet når du arbeider rundt bevegelige maskiner (f.eks. rotasjonssystem for oljerigger), elektriske farer, ekstreme temperaturer, kjemiske farer, eksplosive eller giftige gasser, skarpe kanter eller i underkant av overhengende materialer som kan falle ned på deg eller ditt fallsikringsutstyr.
  - Bruk lysbueflamme eller Hot Works-innretninger når du arbeider i miljøer med høy varme.
  - Unngå overflater og gjenstander som kan skade brukeren eller utstyret.
  - Sørg for at det er tilstrekkelig fallklaring når du arbeider i høyden.
  - Du må aldri modifisere eller endre på ditt fallsikringsutstyr. Bare 3M eller virksomheter med skriftlig godkjenning fra 3M kan reparere dette utstyret.
  - Før bruk av fallsikringsutstyr, pass på at det finnes en redningsplan som muliggjør rask redning hvis et falluhell skulle inntreffe.
  - Hvis et falluhell inntreffer, søk umiddelbart medisinsk hjelp for den arbeideren som har falt.
  - Ikke bruk støttebelter til fallstoppbruk. Bruk kun en helkroppssele.
  - Minimer svingfall ved å arbeide så rett under forankringspunktet som mulig.
  - Hvis du trener med denne innretningen, må et sekundært fallsikringsystem benyttes på en slik måte at det ikke eksponerer lærlingen for en utilsiktet fallfare.
  - Ha alltid på hensiktsmessig personlig verneutstyr når du installerer, bruker eller inspiserer innretningen/systemet.

Skriv ned produktidentifikasjonen fra ID-merket i inspeksjons- og vedlikeholdsloggen (tabell 2) på baksiden av denne veiledningen før installasjon og bruk av utstyret.

## PRODUKT BESKRIVELSE:

Figur 1 viser 3M™ DBI-SALA® motvektstralle for adgang/redning i trange rom. Motvektstrallen er designet for å være et bærbart system som settes opp og brukes med en mast som er kompatibel med 3M DBI-SALA variable davitsidemaster. Systemet bruker vektplater på 20 kg som plasseres i vektstativet på trallen og brukes som motvekt for fallsikrings- og redningssystemet.

Figur 2 viser komponentene til motvektstrallen som er spesifisert i tabell 1.

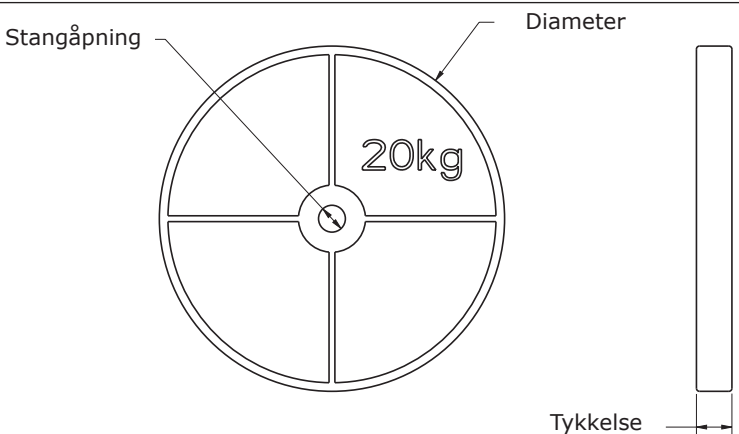
**Tabell 1 – Spesifikasjoner**

### Komponentspesifikasjoner:

Figur 2 Referanse	Komponent	Materialer
(A)	Benenhet	Pulverbelagt aluminium Forsinket karbonstål
(B)	Midtdel	Pulverbelagt aluminium Høytetthetspolyetylen
(C)	Systemforlengelse	Pulverbelagt aluminium Forsinket karbonstål
(D)	Gaffellommer	Pulverlakkert karbonstål
(E)	Forlengelseslomme	Pulverbelagt aluminium
(F)	Tralleenhet	Pulverlakkert karbonstål
(G)	Skyvehåndtak	Vinyl
(H)	Låsestift til vektplate	Pulverlakkert karbonstål
(I)	Låsering	Pulverlakkert karbonstål
(J)	Vektstativ	Pulverlakkert karbonstål
(K)	<b>8000123</b> -20 kg vektplate (selges separat)	Pulverlakkert karbonstål

Følgende spesifikasjoner må overholdes ved bruk av egne vektplater. Manglende overholdelse kan føre til alvorlig skade eller død.

### Spesifikasjoner for vektplater:

Vekt	20 kg (45 lbs)	
Stangåpning	25,4 mm (1 in.) - 38,1 mm (1,25 in.)	
Tykkelse	Maksimalt 36,5 mm (1,44 tommer)	
Diameter	Maksimalt 457,2 mm (18 in.)	

**Tabell 1 – Spesifikasjoner**

<b>Systemspesifikasjoner:</b>	
<b>Arbeidsområde</b>	Klassifisert for fallsikring og redning foran bena. Se figur 6.
<b>Kompatibilitet</b>	Davitholderne som beskrives i denne anvisningen er kompatible med 3M™ DBI-SALA®s høykapasitets (HC) davitsystemer med kort og lang rekkevidde. Trenger et egnet antall vektplater i figur 1.
<b>Systemvekt</b>	Med plater: (20x)-606 kg (1336 lbs). (36x)-925 kg (2039 lbs).
	Uten plater: 206 kg (455 lbs)
<b>Dimensjoner</b>	Se figur 3 for motvektstrallens dimensjoner.
<b>Vektkapasiteter:</b>	
<b>Materialhåndteringskapasitet</b>	205 kg (452 lbs)

## 1.0 PRODUKTETS BRUKSOMRÅDE

- 1.1 FORMÅL:** Davitsoklene er monteringspunkter som er kompatible med og designet for 3M-davitsystemer. Les den respektive brukerveiledningen for davitsystemet for informasjon om systembruk og funksjonalitet.
- 1.2 STANDARDER:** Davitsokkelen oppfyller kravene til nasjonale standarder som oppgis på omslaget til denne brukerveiledningen. Hvis dette produktet selges utenfor det opprinnelige destinasjonslandet, må forhandleren stille disse instruksjonene til rådighet på språket i det aktuelle landet der produktet vil bli brukt.
- 1.3 INSTALLASJON OG KONTROLL:** Installasjonen av davitsokkelen skal kontrolleres av en kvalifisert person<sup>1</sup>. En kvalifisert person<sup>2</sup> må bekrefte at de strukturelle installasjonene er i henhold til lokale og føderale forskrifter. En kvalifisert person må anbefale passende festemidler og bestemme riktig plassering av davitsokkelen. Bruk av det monterte fallsikringsutstyret for davitsystemet må kontrolleres av en kompetent person.
- 1.4 ARBEIDSSTEDSDOKUMENTASJON:** Etter montering og installering av davitsoklene, må Installasjonsdokumentasjon som tilfredsstiller informasjonskravene i EN795 Vedlegg A være utfylt av installatøren og overlevert til brukerens avviste representant. Installasjonsdokumentasjonen bør oppbevares på arbeidsstedet slik at det er tilgjengelig ved eventuell senere inspeksjon.
- 1.5 OPPLÆRING:** Dette utstyret er beregnet på å skulle monteres og brukes av personer som har fått opplæring i dets riktige bruksområder. Denne håndboken kan brukes til en del av et opplæringsprogram for ansatte og/eller regionale forskrifter. Brukeren og montørene av dette utstyret har ansvar for å gjøre seg kjent med disse anvisningene, få opplæring i riktig pleie og bruk av dette utstyret, og er klar over bruksegenskaper, bruksbegrensninger og følgene av uriktig bruk av dette utstyret.
- 1.6 REDNINGSPLAN:** Når det monterte fallsikringsutstyret for davitsystemet brukes, må arbeidsgiver ha en redningsplan og redningsutstyr tilgjengelig, og informere til brukere, autoriserte personer og redningsmannskaper om dette. Et opplært redningsteam på stedet anbefales. Teammedlemmer skal forsynes med utstyr og teknikker til å utføre en vellykket redning. Det bør gis regelmessig opplæring for å sikre at redningspersonens kunnskaper opprettholdes.
- 1.7 INSPEKSJONSINTERVALLER:** Davitsokkelen skal kontrolleres av brukeren før enhver bruk, i tillegg til en annen kompetent person annen enn brukeren, i intervaller på ikke lenger enn ett år.<sup>3</sup> Prosedyrene for inspeksjon beskrives i «*Inspeksjons- og vedlikeholdslogg*». Resultatene fra hver inspeksjon utført av kompetent person bør registreres i kopier av «*Inspeksjons- og vedlikeholdslogg*».

## 2.0 SYSTEMKRAV

- 2.1 ANKERFESTE OG FESTEMIDLER:** Strukturer og festemidler (festemidler når det er relevant) som brukes til å feste davitsokkelen, må overholde kravene som er gitt i tabell 1 under «Monteringskrav».
- 2.1 KOMPONENTKOMPATIBILITET:** Utstyr fra 3M er kun laget for bruk sammen med andre komponenter og delsystemer fra 3M. Utskifting eller erstatning med ikke-godkjente komponenter og delsystemer kan påvirke utstyrets kompatibilitet, som kan gå ut over sikkerheten og påliteligheten til hele systemet.
- 2.2 PERSONLIG FALLSIKRINGSSYSTEM:** Personlige fallsikringssystemer (PFAS) som brukes med systemet, skal oppfylle gjeldende fallbeskyttelsesstandarder, koder og krav. PFAS skal bruke en hel kroppssele integrert og begrense sikringskraft til følgende verdier:

	Maksimal sikringskraft	Fritt fall
PFAS med støtabsorberende livline	6 kN (1350 lb)	Se instruksjonen(e) som følger med livlinen
PFAS med selvinntrekkende enhet (SRD)	6 kN (1350 lb)	din eller SRD for begrensninger på fritt fall.

- 2.3 FARER:** Bruk av dette utstyret i risikable arbeidsmiljøer kan kreve at det benyttes tilleggssikring for å unngå skade på bruker eller utstyr. Se brukerveiledningen for 3M-davitmasten om spesifikke farer som kan ha betydning for bruken av systemet.

<sup>1</sup> **Kvalifisert person:** En som er i stand til å identifisere eksisterende og mulige farer i omgivelsene eller arbeidsforhold som er uhygieniske, risikable eller farlige for ansatte, og som har autoritet til å utbedre eller eliminere dem.

<sup>2</sup> **Kvalifisert person:** En person med anerkjent grad eller fagsertifikat, og utstrakt erfaring med fallsikring. Denne personen må kunne designe, analysere, evaluere og gi spesifikasjoner om fallsikring.

<sup>3</sup> **Inspeksjonsintervaller:** Ekstreme arbeidsforhold (vanskelige omgivelser, langvarig bruk osv.) kan gjøre det nødvendig med hyppigere inspeksjoner utført av en kompetent person.

### 3.0 INSTALLASJON

**3.1 PLANLEGGING:** Planlegg fallsikringsystemet før installasjon av motvektstrallen. Vurder faktorer som kan påvirke sikkerheten din før, under og etter et fall. Overhold alle krav som er definert i del 2 og tabell 1 for å velge riktig motvektstralle og plassering av den.

**3.2 MONTERING OG OPPSETT:** Se figur 4.

1. Plasser vognen på et flatt underlag. Kontrollerer libellene på trallen og sørg for at de er sentrert.
2. Plasser systemforlengelsen i en av sidene på forlengelseslommen. Fest med stifter og stram tri-skruen.
3. Sett midtdelen i systemforlengelsen og fest med stifter.
4. Sett begge benenhetene i midtdelen og fest med stifter.
5. Systemforlengelsens lengde justeres ved å fjerne låsestiften og løsne tri-skruen ved å skru den mot klokken.
6. Strekk forsiden av systemet utover trallen.
7. Sett inn låsestiften og stram skruen ved å skru med klokken.
8. Sørg for at systemet står plant ved å justere nivelleringsføttene på benenheten til libellen er sentrert.
9. Plasser riktig mengde vektplater på trallen avhengig av hvilken davit som brukes. Se figur 1.
10. Skyv låseringen mot vektplatene på alle 4 sider av vektstativet og fest med en sekskantnøkkel for å hindre at platene beveger seg. Se figur 5.
11. Sett låsestiften i vektstativet. Se figur 5.

Løfteringene skal ikke brukes til fallsikring. De skal kun brukes til overhengende løft.

### 4.0 BRUK

**4.1 FØR HVER BRUK:** Verifiser at arbeidsområdet og det personlige fallsikringsystemet (PFAS) oppfyller alle kriteriene som er definert i del 2 og at det finnes en formell redningsplan. Inspiser motvektstrallen i henhold til inspeksjonspunktene under «Bruker» i *inspeksjons- og vedlikeholdsloggen* (tabell 2). Hvis kontrollen avdekker en utrygg eller defekt tilstand, skal ikke systemet brukes. Ta systemet ut av drift og kontakt 3M vedrørende utskifting eller reparasjon.

**4.2 UNDER BRUK:**

Hjulene må være låst.

Koble til begge ringene ved løfting av trallen.

Akselkragen og akselpinnen må festes og låses etter at vektene er plassert på stativene på alle 4 sider under bruk og transport. Se figur 5.

**4.3 TRANSPORT / ETTER BRUK:**

Delene må plasseres på trallen under transport. Se Figur 7.

Inkluder gaffellommer.

Trallen har løfteringer som skal brukes med en traverskran. Løfteenheten må kobles til begge løfteringene på trallen.

### 5.0 INSPEKSJON

**5.1 INSPEKSJONSINTERVALLER:** Motvektstrallen må kontrolleres ved de intervallene som er definert i del 1. Prosedyrene for inspeksjon beskrives i *inspeksjons- og vedlikeholdsloggen*. Inspiser alle andre komponenter i fallsikringsystemet i henhold til intervallene og prosedyrene som er angitt i produsentens instruksjoner.

**5.2 DEFEKTER:** Hvis inspeksjonen avdekker en utrygg eller defekt tilstand, skal motvektstrallen umiddelbart tas ut av bruk og 3M skal kontaktes vedrørende utskifting eller reparasjon. Ikke prøv å reparere fallsikringsystemet.

**Kun autorisert reparasjon:** Kun 3M eller virksomheter med skriftlig godkjenning fra 3M kan reparere dette utstyret.









**5.3 PRODUKTLEVETID:** Den funksjonelle levetiden til fallsikringsystemer avhenger av arbeidstilstander og vedlikehold. Produktet kan brukes så lenge det oppfyller inspeksjonskriteriene.

## 6.0 VEDLIKEHOLD, SERVICE, OPPBEVARING

- 6.1 RENGJØRING:** Rengjør trallens metallkomponenter med jevne mellomrom med en myk børste, varmt vann og en mild såpeløsning. Påse at delene skylles godt med rikelig med rent vann.
- 6.2 SERVICE:** Kun 3M eller virksomheter med skriftlig godkjenning fra 3M kan reparere dette utstyret. Hvis davitholderen har vært utsatt for fallkrefter eller en inspeksjon avdekker en utrygg eller defekt tilstand, skal systemet umiddelbart tas ut av bruk og 3M kontaktes vedrørende utskifting eller reparasjon.
- 6.3 OPPBEVARING OG TRANSPORT:** Når motvektstrallen og tilknyttet fallsikringsutstyr ikke er i bruk, skal det oppbevares og transporteres i et kjølig, tørt og rent miljø, beskyttet mot direkte sollys. Unngå områder hvor det kan finnes gasser fra kjemikalier. Gjennomfør en grundig inspeksjon av komponenter etter langvarig oppbevaring.

## 7.0 MERKING

Figur 8 viser etikettene på motvektstrallen. Etikettene må skiftes ut hvis de ikke er fullt leselige. Informasjonen på hver etikett er som følger:

	Les alle instruksjoner.
	Sertifisering iht. CE-standarder
	Oppfyller kravene til testing i EN1496:2012
	Motvektstrallesystemet og platespesifikasjoner
	Sertifisering iht. AS/NZS-standarder
	A) Produsert (år, måned) B) Modellnummer C) Serienummer
	Spesifikasjoner for vekten av trallen og plater
	Advarsel om kun løfting
	A) Maksimal davitarmforskyvning B) Klassifisert for håndtering av materialer på 205 kg (452 lbs) C) Maksimal bremsekraft for personlig fallsikringssystem (PFAS) $\leq 6$ kN (1350 lbs)

**Tabell 3 – Inspeksjons- og vedlikeholdslogg**

Inspeksjonsdato:		Inspisert av:	
Komponenter:	Inspeksjon: (Se del 1 for inspeksjonsintervaller)	Bruker	Kvalifisert person <sup>1</sup>
Motvektstralle (figur 1)	Inspiser trallen for sprekker, merker eller deformiteter.	<input type="checkbox"/>	<input type="checkbox"/>
	Kontroller hele enheten for korrosjon.	<input type="checkbox"/>	<input type="checkbox"/>
Etiketter (figur 8 og 9)	Kontroller at alle etiketter er sikkert festet og leselige (se «Merking»).	<input type="checkbox"/>	<input type="checkbox"/>
PFAS og annet utstyr	Ekstra PFAS-utstyr (sele, SRL, osv.) som brukes sammen med motvektstrallen skal monteres og inspiseres i henhold til produsentens instruksjoner.	<input type="checkbox"/>	<input type="checkbox"/>
<b>Serienummer(e):</b>		<b>Kjøpsdato:</b>	
<b>Modellnummer:</b>		<b>Dato for førstegangsbruk:</b>	
<b>Korrigerende tiltak / vedlikehold:</b>		Godkjent av:	
		Dato:	
<b>Korrigerende tiltak / vedlikehold:</b>		Godkjent av:	
		Dato:	
<b>Korrigerende handling / vedlikehold:</b>		Godkjent av:	
		Dato:	
<b>Korrigerende handling / vedlikehold:</b>		Godkjent av:	
		Dato:	
<b>Korrigerende handling / vedlikehold:</b>		Godkjent av:	
		Dato:	
<b>Korrigerende handling / vedlikehold:</b>		Godkjent av:	
		Dato:	
<b>Korrigerende handling / vedlikehold:</b>		Godkjent av:	
		Dato:	
<b>Korrigerende handling / vedlikehold:</b>		Godkjent av:	
		Dato:	
<b>Korrigerende handling / vedlikehold:</b>		Godkjent av:	
		Dato:	
<b>Korrigerende handling / vedlikehold:</b>		Godkjent av:	
		Dato:	
<b>Korrigerende handling / vedlikehold:</b>		Godkjent av:	
		Dato:	
<b>Korrigerende handling / vedlikehold:</b>		Godkjent av:	
		Dato:	

**1 Kvalifisert person:** En person som er i stand til å identifisere eksisterende og mulige farer i omgivelsene eller arbeidsforhold som er uhygieniske, risikable eller farlige for ansatte, og som har myndighet til å utbedre eller fjerne dem.

## INFORMACJE DOTYCZĄCE BEZPIECZEŃSTWA

Przed użyciem tego urządzenia do dostępu i wydobywania z pomieszczeń o ograniczonej przestrzeni należy dokładnie zapoznać się ze zrozumieniem i przestrzegać wszystkie informacje dotyczące bezpieczeństwa, jakie zawarto w niniejszej instrukcji. **ZIGNOROWANIE TEGO WYMAGANIA MOŻE SKUTKOWAĆ POWAŻNYMI URAZAMI CIAŁA LUB ŚMIERCIĄ.**

Te instrukcje muszą być udostępnione użytkownikowi tego urządzenia. Instrukcje należy zachować do wykorzystania w przyszłości.

### Przeznaczenie:

To urządzenie do dostępu i wydobywania z pomieszczeń o ograniczonej przestrzeni stanowi część kompletnego systemu ochrony osób przed upadkiem lub systemu ratunkowego.

Wykorzystanie urządzenia w jakimkolwiek innym celu, np. do niezatwierdzonego przenoszenia ładunków, rekreacji lub sportu bądź w innych celach nieopisanych w instrukcji użytkownika lub instrukcji instalacji nie jest zatwierdzone przez 3M i może skutkować poważnymi urazami ciała lub śmiercią.

To urządzenie może być wykorzystywane wyłącznie przez przeszkolonych użytkowników w miejscu pracy.

## OSTRZEŻENIE

To urządzenie do dostępu i wydobywania z pomieszczeń o ograniczonej przestrzeni stanowi część systemu ochrony osób przed upadkiem lub systemu ratunkowego. Oczekujemy, że wszyscy użytkownicy zostaną w pełni przeszkoleni w zakresie bezpiecznej instalacji i obsługi kompletnego systemu. **Nieprawidłowe użytkowanie tego urządzenia może prowadzić do poważnych urazów ciała lub śmierci.** Aby zapewnić prawidłowy dobór, obsługę, instalację, konserwację i serwis urządzenia, należy zapoznać się ze wszystkimi instrukcjami produktu oraz wszystkimi zaleceniami producenta, skontaktować się z przełożonym lub z serwisem technicznym firmy 3M.

- **Aby ograniczyć ryzyko związane z pracą z urządzeniem do dostępu i wydobywania z pomieszczeń o ograniczonej przestrzeni, które może skutkować poważnymi urazami ciała lub śmiercią:**
  - Należy sprawdzić urządzenie przed każdym użyciem, co najmniej raz w roku oraz po każdym zatrzymaniu upadku przez urządzenie. Przeglądy muszą odbywać się zgodnie z instrukcją użytkownika.
  - Jeśli kontrola ujawni jakiegokolwiek zagrożenia lub wady, natychmiast wycofaj urządzenie z eksploatacji i poddaj je naprawie lub wymień zgodnie z instrukcją użytkownika.
  - Każde urządzenie, które zostało użyte do zabezpieczenia przed upadkiem bądź zostało poddane działaniu dużych sił, musi zostać natychmiast wycofane z eksploatacji. Patrz instrukcja użytkownika lub skontaktuj się z działem 3M Fall Protection.
  - Urządzenie musi być zainstalowane w sposób opisany w instrukcji instalacji lub instrukcji użytkownika. Instalacja i zastosowania wykraczające poza zakres instrukcji muszą zostać zatwierdzone na piśmie przez dział 3M Fall Protection.
  - Podłoże lub konstrukcja, do której urządzenie jest przymocowane, musi być w stanie utrzymać statyczne obciążenia określone dla urządzenia w orientacjach dozwolonych w instrukcji użytkownika lub instrukcji instalacji.
  - Nie przekraczać dozwolonej liczby użytkowników.
  - Nigdy nie należy pracować poniżej zawieszono ładunku lub pracownika.
  - Należy zachować ostrożność podczas instalowania, używania i przenoszenia urządzenia, ponieważ ruchome części mogą powodować powstawanie punktów przycięcia. Patrz instrukcja użytkownika.
  - Należy zapewnić przestrzeganie odpowiednich procedur blokowania/oznaczenia.
  - Nigdy nie przypinać się do systemu, zanim zostanie umiejscowiony, w pełni zmontowany, wyregulowany i zainstalowany. Nie regulować systemu po przypięciu użytkownika.
  - Podsystemy zabezpieczenia przed upadkiem należy podłączać wyłącznie do wyznaczonych punktów kotwiczących na urządzeniu.
  - Przed wierceniem lub przymocowaniem należy zapewnić, że wiertło oraz urządzenie nie będą stykać się z przewodami elektrycznymi lub gazowymi ani innymi krytycznymi systemami wbudowanymi.
  - Należy upewnić się, że systemy ochrony przed upadkiem/zintegrowane podsystemy, złożone z komponentów pochodzących od różnych producentów, są kompatybilne i spełniają wymagania obowiązujących norm, w tym normy ANSI Z359 lub innych obowiązujących przepisów, norm i wymagań dotyczących ochrony przed upadkiem. Przed użyciem tych systemów należy zawsze skonsultować się z kompetentną lub przeszkoloną osobą.
- **Aby ograniczyć ryzyko związane z pracą na wysokości, które może skutkować poważnymi urazami ciała lub śmiercią:**
  - Należy upewnić się, że warunki fizyczne i zdrowotne pracownika umożliwiają bezpieczne znoszenie wszelkich sił oddziałujących w przypadku pracy na wysokości. W przypadku pytań dotyczących korzystania z tego sprzętu należy skonsultować się z lekarzem.
  - Nigdy nie wolno przekraczać dopuszczalnego udźwigu sprzętu zabezpieczającego.
  - Nigdy nie wolno przekraczać maksymalnego dystansu swobodnego upadku danego sprzętu zabezpieczającego.
  - Nie wolno używać sprzętu chroniącego przed upadkiem, który nie przeszedł pomyślnie kontroli okresowej lub przed oddaniem go do użytku albo jeśli użytkownik ma wątpliwości dotyczące korzystania lub przydatności sprzętu w danej aplikacji. W razie pytań należy kontaktować się z działem pomocy technicznej firmy 3M.
  - Niektóre połączenia podsystemów i elementów mogą niekorzystnie wpływać na działanie tego sprzętu. Stosować wyłącznie zgodne rodzaje połączeń. Przed zastosowaniem tego sprzętu w połączeniu z elementami lub podsystemami innymi niż opisane w instrukcji użytkownika należy skonsultować się z firmą 3M.
  - Należy stosować zwiększone środki ostrożności podczas pracy w pobliżu ruchomego sprzętu (np. górnych napędów wiertnic), źródeł zagrożeń elektrycznych, skrajnych temperatur, zagrożeń chemicznych, zagrożenia wybuchem lub toksycznych gazów, ostrych krawędzi, lub pod obiektami znajdującymi się nad użytkownikiem, które mogą spaść na użytkownika lub na sprzęt zabezpieczający przed upadkiem.
  - W przypadku wykonywania prac w miejscach, w których występują wysokie temperatury, należy używać urządzeń z łukiem elektrycznym lub do prac gorących.
  - Należy unikać powierzchni i obiektów, które mogą spowodować urazy ciała użytkownika lub uszkodzenie sprzętu.
  - Należy zapewnić wystarczającą wolną przestrzeń dla upadku w przypadku prowadzenia prac na wysokościach.
  - Nigdy nie wolno modyfikować ani przerabiać sprzętu zabezpieczającego przed upadkiem. Sprzęt może być naprawiany tylko przez firmę 3M lub podmioty upoważnione przez nią na piśmie.
  - Przed użyciem sprzętu zabezpieczającego przed upadkiem należy upewnić się, że obowiązują odpowiednie procedury ratownicze zapewniające podjęcie odpowiednich działań ratowniczych w razie upadku.
  - Jeśli dojdzie do upadku, osobie poszkodowanej należy natychmiast zapewnić pomoc medyczną.
  - W przypadku zastosowań związanych z zabezpieczeniem przed upadkiem nie stosować pasów na całe ciało. Należy wyłącznie używać szelek bezpieczeństwa na całe ciało.
  - Należy minimalizować zagrożenie upadku w wyniku zakotwienia, pracując tak blisko punktu kotwiczącego, jak to możliwe.
  - Podczas czynności szkoleniowych związanych z tym urządzeniem konieczne jest stosowanie pomocniczego systemu zabezpieczającego przed upadkiem, tak aby nie narazić szkolonego pracownika na ryzyko upadku.
  - Zawsze należy nosić odpowiedni sprzęt ochrony osobistej podczas instalowania, użytkowania lub przeprowadzania inspekcji urządzenia/systemu.



Przed przystąpieniem do instalacji i użytkowania urządzenia należy zapisać dane produktu zawarte na etykiecie identyfikacyjnej w Dzienniku przeglądów i konserwacji (tabela 2) zamieszczonym na końcu niniejszej instrukcji.

## OPIS PRODUKTU:

Na rysunku 1 przedstawiono wózek z przeciwwagą systemu przeznaczanego do dostępu i wydobywania z ciasnych pomieszczeń 3M™ DBI-SALA®. Wózek z przeciwwagą do dostępu i wydobywania z ciasnych pomieszczeń został zaprojektowany jako przenośny system, który może być używany z masztami kompatybilnych żurawików o zmiennym wysunięciu 3M DBI-SALA przeznaczonych do dostępu i wydobywania z ciasnych pomieszczeń. W systemie stosowane są 20-kilogramowe płyty obciążające umieszczane na stojakach w wózku, które pełnią funkcję przeciwwagi dla systemu zabezpieczającego przed upadkiem lub systemu ratunkowego.

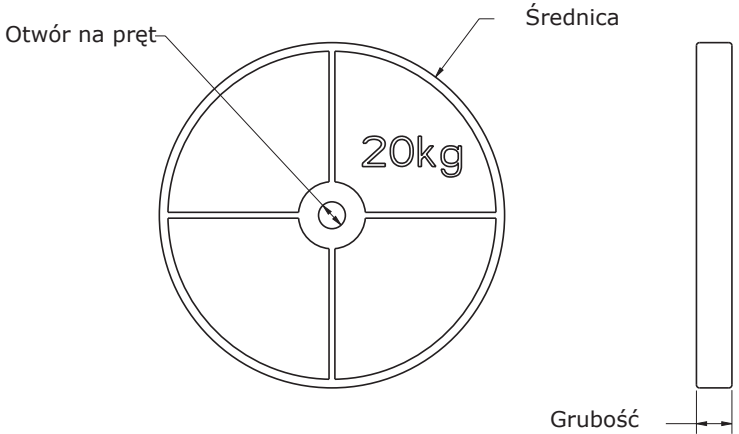
Na rysunku 2 przedstawiono części wózka z przeciwwagą określone w tabeli 1.

**Tabela 1 – dane techniczne**

Specyfikacje elementów:		
Rysunek 2 dotyczy następujących elementów	Element	Materiały
Ⓐ	Konstrukcja nożna	Aluminium – malowane proszkowo Stal węglowa – ocynkowana
Ⓑ	Część środkowa	Aluminium – malowane proszkowo Polietylen o dużej gęstości
Ⓒ	Przedłużenie podstawy	Aluminium – malowane proszkowo Stal węglowa – ocynkowana
Ⓓ	Kieszenie na widły	Stal węglowa – malowana proszkowo
Ⓔ	Kieszeń na przedłużenie	Aluminium – malowane proszkowo
Ⓕ	Zespół wózka	Stal węglowa – malowana proszkowo
Ⓖ	Uchwyt do pchania	Winył
Ⓗ	Sworzeń blokujący płyty obciążającej	Stal węglowa – malowana proszkowo
Ⓘ	Kołnierz blokujący	Stal węglowa – malowana proszkowo
⓵	Stojak na obciążniki	Stal węglowa – malowana proszkowo
Ⓚ	<b>8000123</b> – 20-kilogramowa płyta obciążająca (sprzedawana oddzielnie)	Stal węglowa – malowana proszkowo

W przypadku dostarczania własnych płyt obciążających należy spełnić poniższe warunki. Zignorowanie tego wymagania może spowodować obrażenia ciała lub śmierć.

### Dane techniczne płyty obciążającej

Masa	20 kg (45 lb)	
Otwór na pręt	25,4 mm (1") – 38,1 mm (1,25")	
Grubość	Maksymalnie 36,5 mm (1,44")	
Średnica	Maksymalnie 457,2 mm (18")	

**Tabela 1 – dane techniczne**

<b>Dane techniczne systemu:</b>	
<b>Strefa robocza</b>	Przystosowany do zabezpieczenia przed upadkiem i zastosowań ratowniczych z przodu nóg. Patrz rysunek 6.
<b>Kompatybilność</b>	Podstawy żurawika opisane w tej instrukcji są kompatybilne z systemami żurawików krótkiego i długiego zasięgu o wysokiej nośności 3M™ DBI-SALA.® Wymagana jest odpowiednia liczba płyt obciążających przedstawionych na rysunku 1.
<b>Masa systemu</b>	Z płytami: (20 x) – 606 kg (1336 lb) (36 x) – 925 kg (2039 lb)
	Bez płyt: 206 kg (455 lb)
<b>Wymiary</b>	Wymiary wózka z przeciwwagą są podane na rysunku 3.
<b>Udźwig:</b>	
<b>Udźwig</b>	205 kg (452 lb)

## 1.0 ZASTOSOWANIE PRODUKTU

- 1.1 CEL:** Podstawy żurawików zostały zaprojektowane jako punkty montażowe dla kompatybilnych systemów żurawików firmy 3M. Informacje dotyczące korzystania z systemu oraz jego funkcji są podane w odpowiedniej instrukcji systemu żurawika.
- 1.2 NORMY:** Podstawa żurawika spełnia wymagania krajowych i regionalnych norm wskazanych na okładce niniejszej instrukcji. Jeśli niniejszy produkt podlega odsprzedaży poza pierwotnym krajem przeznaczenia, odsprzedawca powinien dostarczyć niniejszą instrukcję w języku używanym w kraju użytkownika tego produktu.
- 1.3 INSTALACJA I NADZÓR:** Instalacja podstawy żurawika musi być nadzorowana przez kompetentną osobę<sup>1</sup>. Wykwalifikowana osoba<sup>2</sup> musi zweryfikować, czy instalacja konstrukcji jest zgodna z przepisami lokalnymi i krajowymi. Wykwalifikowana osoba musi zalecić odpowiednie złączki oraz prawidłowe umieszczenie podstawy żurawika. Korzystanie z żurawika oraz przymocowanego do niej sprzętu zabezpieczającego przed upadkiem musi być nadzorowane przez kompetentną osobę.
- 1.4 DOKUMENTACJA OBIEKTU:** Po zainstalowaniu podstawy żurawika instalator musi sporządzić dokumentację instalacji spełniającą wymogi informacyjne podane w Załączniku A do normy P-EN 795, a następnie przekazać ją wskazanemu przedstawicielowi użytkownika. Dokumentację instalacji należy przechowywać w miejscu wykonywania prac, aby umożliwić sprawdzenie jej w przyszłości.
- 1.5 SZKOLENIE:** Ten sprzęt musi być zamontowany i użytkowany przez osoby przeszkolone w zakresie jego prawidłowego stosowania. Niniejsza instrukcja może być stosowana w ramach programu szkolenia pracowników i/lub w odniesieniu do przepisów regionalnych. Użytkownicy lub instalatorzy tego urządzenia mają obowiązek upewnić się, że znają niniejszą instrukcję, są przeszkoleni w zakresie prawidłowego utrzymania i użytkowania urządzenia oraz mają świadomość charakterystyki działania, ograniczeń zastosowania oraz skutków niewłaściwego użycia tego urządzenia.
- 1.6 PLAN RATUNKOWY:** Podczas korzystania z żurawika oraz powiązanego z nim sprzętu zabezpieczającego przed upadkiem pracodawca musi dysponować planem ratunkowym i niezbędnymi środkami do wdrożenia go oraz zakomunikowania go użytkownikom. Zalecane jest utworzenie przeszkolonego zespołu ratowniczego na miejscu. Członkowie zespołu powinni posiadać wyposażenie oraz znać techniki niezbędne do przeprowadzenia pomyślnej akcji ratunkowej. Wymagane jest okresowe przeprowadzanie szkolenia w celu zapewnienia należytych umiejętności ratunkowych.
- 1.7 CZĘSTOTLIWOŚĆ KONTROLI:** Przed każdym użyciem podstawa żurawika musi być sprawdzona przez użytkownika, a ponadto co najmniej raz na rok musi przejść kontrolę przeprowadzaną przez kompetentną osobę inną niż użytkownik.<sup>3</sup> Procedury kontroli zostały opisane w „Dzienniku przeglądów i konserwacji”. Wyniki poszczególnych kontroli dokonywanych przez kompetentną osobę należy zapisywać na kopii „Dziennika kontroli i konserwacji”.

## 2.0 WYMAGANIA DOTYCZĄCE SYSTEMU

- 2.1 KOTWICZENIE I ZŁĄCZKI:** Wszystkie konstrukcje oraz złączki (jeśli dotyczy) użyte do przymocowania podstawy żurawika muszą spełniać „Wymagania dotyczące mocowania” określone w tabeli 1.
- 2.1 KOMPATYBILNOŚĆ ELEMENTÓW:** Sprzęt firmy 3M został zaprojektowany wyłącznie do użytku z innymi zatwierdzonymi elementami i podsystemami firmy 3M. Zastępowanie lub wymienianie elementów lub podsystemów na takie, które nie zostały zatwierdzone, może zagrażać kompatybilności sprzętu i wpływać na bezpieczeństwo oraz niezawodność systemu jako całości.
- 2.2 INDYWIDUALNY SYSTEM ZABEZPIECZENIA PRZED UPADKIEM:** Indywidualne systemy zabezpieczenia przed upadkiem (PFAS) stosowane wraz z tym systemem muszą spełniać obowiązujące normy, kodeksy i wymagania. System PFAS musi zawierać pełne szelki bezpieczeństwa i ograniczać siłę zatrzymującą zgodnie z poniższymi wartościami:

	Maksymalna siła zatrzymująca	Upadek swobodny
System PFAS z amortyzującą linką bezpieczeństwa	6 kN (1350 lb)	Ograniczenia dotyczące upadku swobodnego podane zostały w instrukcji dołączonej do linki bezpieczeństwa lub urządzenia samohamownego (SRD).
System PFAS z urządzeniem samohamownym (SRD)	6 kN (1350 lb)	

- 2.3 ZAGROŻENIA:** Korzystanie z tego urządzenia w miejscach, w których występują zagrożenia dla środowiska, może wymagać dodatkowych środków ostrożności w celu zmniejszenia ryzyka odniesienia obrażeń przez użytkowników lub uszkodzenia sprzętu. Informacje dotyczące konkretnych zagrożeń, które mogą mieć wpływ na korzystanie z systemu, można znaleźć w instrukcji masztu żurawika 3M.

<sup>1</sup> **Kompetentna osoba:** Osoba potrafiąca rozpoznać istniejące i możliwe do przewidzenia zagrożenia w otoczeniu lub niehigieniczne, niebezpieczne albo stwarzające zagrożenie dla pracowników warunki pracy, która jest równocześnie upoważniona do podejmowania szybkich działań naprawczych w celu ich wyeliminowania.

<sup>2</sup> **Wykwalifikowana osoba:** Osoba z uznanym dyplomem lub profesjonalnym certyfikatem i dużym doświadczeniem w zakresie zabezpieczania przed upadkiem. Ta osoba musi być w stanie projektować, analizować, oceniać i przygotowywać specyfikacje prac w zakresie zabezpieczania przed upadkiem.

<sup>3</sup> **Częstość kontroli:** Ekstremalne warunki robocze (surowe środowisko, długi czas użycia itd.) mogą spowodować konieczność, aby kompetentna osoba przeprowadzała kontrole z większą częstotliwością.

### 3.0 MONTAŻ

**3.1 PLANOWANIE:** Przed instalacją wózka z przeciwwagą należy zaplanować system ochrony przed upadkiem. Należy uwzględnić wszystkie czynniki, które mogą wpłynąć na bezpieczeństwo przed, podczas i po upadku. Należy uwzględnić wszystkie wymagania zdefiniowane w punkcie 2 oraz tabeli 1 w celu określenia odpowiedniego pojazdu i umieszczenia wózka z przeciwwagą.

**3.2 MONTAŻ I KONFIGURACJA:** Patrz rysunek 4.

1. Umieścić wózek na płaskiej powierzchni. Sprawdzić, czy pęcherzyki w poziomicach na wózku są wyśrodkowane.
2. Wstawić przedłużenie podstawy z dowolnej strony gniazda przedłużenia; zablokować sworzniem i dokręcić śrubę z potrójnym uchwytem gwiazdkowym.
3. Wstawić część środkową do przedłużenia podstawy oraz zablokować sworzniem.
4. Wstawić oba zespoły nóg do części środkowej oraz zablokować sworzniem.
5. Aby wyregulować długość przedłużenia podstawy, należy wyjąć sworzni blokujący i odkręcić śrubę z potrójnym uchwytem gwiazdkowym, obracając ją przeciwnie do ruchu wskazówek zegara.
6. Wysunąć część przednią podstawy z wózka na zewnątrz.
7. Włożyć sworzni blokujący i ponownie dokręcić śrubę z potrójnym uchwytem gwiazdkowym, obracając ją zgodnie z ruchem wskazówek zegara.
8. Dopasować stopki poziomujące na zespołach nóg, aż pęcherzyk w poziomicy będzie wyśrodkowany.
9. Dodać odpowiednią liczbę płyt obciążających do wózka zależnie od używanego żurawika o wysokiej nośności. Patrz rysunek 1.
10. Dosunąć kołnierz blokujący do płyt obciążających ze wszystkich czterech stron stojaka na obciążniki i przymocować za pomocą klucza sześciokątnego, aby zapobiec przesuwaniu się płyt. Patrz rysunek 5.
11. Włożyć sworzni blokujący do stojaka na obciążniki. Patrz rysunek 5.

Pierścienie do podnoszenia nie służą do zabezpieczenia przed upadkiem, lecz tylko do podnoszenia za pomocą suwnicy.

### 4.0 UŻYCIE

**4.1 PRZED KAŻDYM UŻYCIEM:** Sprawdzić, czy obszar roboczy oraz indywidualny system zabezpieczenia przed upadkiem (PFAS) spełniają wszystkie kryteria określone w punkcie 2 oraz czy istnieje formalny plan ratunkowy. Sprawdzić wózek z przeciwwagą według punktów kontrolnych dla użytkownika określonych w *Dzienniku przeglądów i konserwacji* (tabela 2). Nie używać systemu, jeżeli w wyniku przeglądu okaże się, że jest wadliwy lub nie zapewnia bezpiecznej pracy. Wycofać system z eksploatacji i zniszczyć lub skontaktować się z firmą 3M w sprawie wymiany bądź naprawy.

**4.2 PODCZAS UŻYCIA:**

Koło samonastawne powinno być zablokowane.

Połączyć oba pierścienie na czas podnoszenia wózka.

Podczas użycia i transportu wałek kołnierza oraz trzpień muszą być przymocowane oraz zablokowane po umieszczeniu obciążników na stojaku ze wszystkich czterech stron. Patrz rysunek 5.

**4.3 TRANSPORT / PO UŻYCIU:**

Podczas transportu części muszą być schowane na wózku. Patrz rysunek 7.

Zawiera kieszenie dla wózków widłowych.

Wózek obejmuje pierścienie do podnoszenia za pomocą suwnicy. Należy zaczepić wózek do urządzenia podnoszącego za pomocą obu pierścieni.

### 5.0 KONTROLA

**5.1 CZĘSTOŚĆ KONTROLI:** Wózek z przeciwwagą powinien być sprawdzany w odstępach czasu określonych w punkcie 1. Procedury kontroli zostały opisane w *Dzienniku przeglądów i konserwacji* (tabela 2). Przeglądy wszystkich innych elementów systemu ochrony przed upadkiem powinny być wykonywane zgodnie z częstotliwościami i procedurami podanymi w instrukcjach producenta.

**5.2 USZKODZENIA:** Jeśli kontrola wykaże, że wózek z przeciwwagą jest wadliwy lub nie zapewnia bezpiecznej pracy, należy go wycofać z eksploatacji i skontaktować się z firmą 3M w sprawie wymiany lub naprawy. Nie należy próbować samemu naprawiać systemu zabezpieczenia przed upadkiem.

**Wyłącznie autoryzowane naprawy:** Ten sprzęt może być naprawiany tylko przez firmę 3M lub firmy upoważnione przez nią na piśmie.

**5.3 TRWAŁOŚĆ PRODUKTU:** Okres eksploatacji systemu zabezpieczenia przed upadkiem jest zależny od warunków roboczych i konserwacji. Produkt ten może pozostać w eksploatacji tak długo, jak długo spełnia kryteria przeglądu.

## 6.0 KONSERWACJA, NAPRAWY, PRZECHOWYWANIE


**6.1 CZYSZCZENIE:** Metalowe elementy wózka z przeciwwagą należy okresowo czyścić miękką szczotką, ciepłą wodą oraz łagodnym roztworem mydła. Części muszą być dokładnie opłukane czystą wodą.

**6.2 NAPRAWA:** Sprzęt ten może być naprawiany tylko przez firmę 3M lub firmy upoważnione przez nią na piśmie. Jeśli podstawa żurawika została poddana działaniu siły powstrzymującej upadek lub kontrola wykaże, że jest wadliwa bądź nie zapewnia bezpiecznej pracy, należy wycofać system z eksploatacji i skontaktować się z firmą 3M w sprawie wymiany lub naprawy.

**6.3 PRZECHOWYWANIE I TRANSPORT:** Gdy wózek z przeciwwagą nie jest używany, należy go przechowywać wraz z powiązaniem sprzętem zabezpieczającym przed upadkiem w chłodnym, suchym, czystym miejscu z dala od bezpośredniego działania promieni słonecznych. Należy unikać miejsc, w których mogą występować opary chemiczne. Dokładnie skontrolować elementy po dłuższym okresie przechowywania.

## 7.0 ETYKIETY

Na rysunku 8 przedstawiono etykiety umieszczone na wózku z przeciwwagą. Etykiety należy wymienić, jeśli są nieczytelne. Na każdej z etykiet podane są następujące informacje:

	Przeczytać wszystkie instrukcje.
1	Certyfikacja norm CE
2	Spełnia wymagania badań wg normy EN 1496:2012
3	Dane techniczne systemu wózka z przeciwwagą i płyty obciążającej
4	Certyfikacja norm AS/NZS
5	A) Wyprodukowano (rok, miesiąc) B) Numer modelu C) Numer seryjny
6	Dane techniczne wózka i płyty obciążającej
7	Ostrzeżenie – tylko podnoszenie
8	A) Maksymalne wysunięcie ramienia żurawika B) Dopuszczalny udźwig materiału 205 kg (452 lb) C) Maksymalna siła zatrzymująca (MAF) indywidualnego systemu zabezpieczenia przed upadkiem (PFAS) ≤ 6 kN (1350 lb)

**Tabela 3 – Dziennik przeglądów i konserwacji**

Data przeglądu:		Przeгляд przeprowadził:	
Elementy:	Przeгляд: (częstotliwość przeglądów – patrz punkt 1)	Użytkownik	Kompetentna osoba <sup>1</sup>
Wózek z przeciwwagą (rysunek 1)	Sprawdzić wózek z przeciwwagą pod kątem pęknięć, wgnieceń i odkształceń.	<input type="checkbox"/>	<input type="checkbox"/>
	Sprawdzić cały moduł pod kątem oznak korozji.	<input type="checkbox"/>	<input type="checkbox"/>
Etykiety (rysunki 8 i 9)	Sprawdzić, czy wszystkie etykiety są odpowiednio przymocowane i czytelne (patrz punkt <i>Etykiety</i> ).	<input type="checkbox"/>	<input type="checkbox"/>
Systemy PFAS i inne urządzenia	Dodatkowe urządzenia indywidualnego systemu zabezpieczenia przed upadkiem (PFAS) (np. szelki bezpieczeństwa, urządzenie samohamowne itd.), które są stosowane wraz z podstawą żurawika do montażu ściennego, powinny być instalowane i sprawdzane zgodnie z instrukcjami producenta.	<input type="checkbox"/>	<input type="checkbox"/>
<b>Numery seryjne:</b>		<b>Data zakupu:</b>	
<b>Numer modelu:</b>		<b>Data pierwszego użycia:</b>	
<b>Działanie naprawcze/konserwacja:</b>		Zatwierdzone przez:	
		Data:	
<b>Działanie naprawcze/konserwacja:</b>		Zatwierdzone przez:	
		Data:	
<b>Działanie naprawcze/konserwacja:</b>		Zatwierdzone przez:	
		Data:	
<b>Działanie naprawcze/konserwacja:</b>		Zatwierdzone przez:	
		Data:	
<b>Działanie naprawcze/konserwacja:</b>		Zatwierdzone przez:	
		Data:	
<b>Działanie naprawcze/konserwacja:</b>		Zatwierdzone przez:	
		Data:	
<b>Działanie naprawcze/konserwacja:</b>		Zatwierdzone przez:	
		Data:	
<b>Działanie naprawcze/konserwacja:</b>		Zatwierdzone przez:	
		Data:	
<b>Działanie naprawcze/konserwacja:</b>		Zatwierdzone przez:	
		Data:	
<b>Działanie naprawcze/konserwacja:</b>		Zatwierdzone przez:	
		Data:	
<b>Działanie naprawcze/konserwacja:</b>		Zatwierdzone przez:	
		Data:	
<b>Działanie naprawcze/konserwacja:</b>		Zatwierdzone przez:	
		Data:	

**1 Kompetentna osoba:** Osoba potrafiąca rozpoznać istniejące i możliwe do przewidzenia zagrożenia w otoczeniu lub niehigieniczne, niebezpieczne albo stwarzające zagrożenie dla pracowników warunki pracy, która jest równocześnie upoważniona do podejmowania szybkich działań naprawczych w celu ich wyeliminowania.

# INFORMAÇÕES DE SEGURANÇA

**Certifique-se de que lê, compreende e segue todas as informações de segurança antes de utilizar este Dispositivo de Entrada/Resgate em Espaço Confinado. O INCUMPRIMENTO DESSAS INSTRUÇÕES PODERÁ RESULTAR EM LESÕES GRAVES OU MORTE.**

**Estas instruções têm de ser fornecidas ao utilizador deste equipamento. Guarde estas instruções para referência futura.**

## Uso previsto:

Este Dispositivo de Entrada/Resgate em Espaço Confinado deve ser utilizado como parte de um sistema pessoal completo de proteção antiqueda ou de resgate.

A sua utilização noutras circunstâncias incluindo, sem limitações, aplicações não aprovadas de manuseamento de materiais, atividades recreativas ou relacionadas com desporto ou outras atividades não descritas nas Instruções para o Utilizador ou nas Instruções de Instalação, não é aprovada pela 3M, e pode resultar em ferimentos graves ou morte.

Este dispositivo só deve ser utilizado por pessoas que tenham recebido formação no local de trabalho.

## AVISO

Este Dispositivo de Entrada/Resgate em Espaço Confinado faz parte de um sistema de proteção antiqueda pessoal ou de um sistema de resgate. Todos os utilizadores devem receber formação quanto à instalação e manuseamento seguros de todo o sistema. **A má utilização deste dispositivo pode resultar em ferimentos graves ou morte.** Para a devida seleção, manuseamento, instalação, manutenção e reparação, consulte todas as Instruções sobre o Produto e todas as recomendações do fabricante, consulte o seu supervisor ou contacte os serviços técnicos da 3M.

- **Para minimizar os riscos associados à utilização de um Dispositivo de Entrada/Resgate em Espaço Confinado que, caso não evitados, podem resultar em ferimentos graves ou morte:**
  - Inspeccione o dispositivo antes de cada utilização, pelo menos uma vez por ano, e após cada incidente de queda. Inspeccione de acordo com as Instruções para o utilizador.
  - Se a inspeção revelar uma condição perigosa ou defeito, retire o dispositivo de serviço e repare-o ou substitua-o de acordo com as Instruções para o utilizador.
  - Qualquer dispositivo que tiver sido sujeito a forças de detenção da queda ou de impacto, deve ser imediatamente retirado de serviço. Consulte o Manual de instruções ou contacte o Departamento de proteção contra quedas da 3M.
  - O dispositivo apenas deve ser instalado da forma indicada em pormenor nas Instruções de Instalação ou nas Instruções para o Utilizador. As instalações e a utilização fora do âmbito das instruções devem ser aprovadas por escrito pela 3M Fall Protection.
  - O substrato ou a estrutura à qual o dispositivo é fixado deve ser capaz de suportar as cargas estáticas especificadas para o dispositivo nas orientações permitidas nas Instruções para o Utilizador ou nas Instruções de Instalação.
  - Não exceda o número de utilizadores permitidos.
  - Nunca trabalhe debaixo de uma carga ou de um trabalhador suspenso(a).
  - Tenha cautela ao instalar, usar e mover o dispositivo, uma vez que as partes móveis podem criar potenciais pontos de aperto. Consulte as Instruções para o Utilizador.
  - Certifique-se de que foram seguidos procedimentos adequados de bloqueio/sinalização, conforme aplicável.
  - Nunca fixe a um sistema até que o mesmo esteja posicionado, devidamente montado, ajustado e instalado. Não ajuste o sistema enquanto um utilizador estiver ligado ao mesmo.
  - Apenas conecte subsistemas de proteção antiqueda ao ponto de conexão de ancoragem designado no dispositivo.
  - Antes de perfurar ou fixar, certifique-se de que a broca ou o dispositivo não entrarão em contacto com cabos elétricos, condutas de gás, ou outros sistemas críticos incorporados.
  - Assegure-se de que os sistemas/subsistemas de proteção antiqueda, montados com componentes produzidos por diferentes fabricantes, são compatíveis e satisfazem os requisitos das normas aplicáveis, incluindo a ANSI Z359 ou outros códigos, normas ou requisitos de proteção antiqueda aplicáveis. Consulte sempre uma Pessoa competente ou Qualificada antes de utilizar estes sistemas.
- **Para minimizar os riscos associados à utilização em trabalhos em altura que, caso não evitados, podem resultar em ferimentos graves ou morte:**
  - Certifique-se de que a sua condição física e o seu estado de saúde lhe permitem suportar, com segurança, todas as forças associadas ao trabalho em altura. Consulte um médico caso tenha alguma questão quanto à sua capacidade de utilizar este equipamento.
  - Nunca exceda a capacidade permitida do seu equipamento de proteção antiqueda.
  - Nunca exceda a distância de queda livre máxima do seu equipamento de proteção antiqueda.
  - Não utilize qualquer equipamento de proteção antiqueda que não cumpra os critérios predefinidos ou outras inspeções agendadas ou caso tenha dúvidas quanto à utilização ou adequação do equipamento no seu trabalho. Contacte os serviços técnicos da 3M se tiver dúvidas.
  - Algumas combinações de subsistemas e componentes podem interferir com o funcionamento deste equipamento. Utilize apenas conectores compatíveis. Consulte a 3M quando instalar ou utilizar este equipamento em combinação com componentes ou subsistemas diferentes dos descritos nas Instruções para o utilizador.
  - Tome precauções adicionais ao trabalhar perto de maquinaria em movimento (por exemplo, sistema top drive das plataformas petrolíferas), quanto a perigos elétricos, temperaturas extremas, perigos químicos, gases explosivos ou tóxicos, bermas afiadas ou materiais suspensos que possam cair em cima de si ou do equipamento de proteção antiqueda.
  - Utilize equipamentos de proteção contra soldadura por arco elétrico ou materiais inflamáveis ao trabalhar em ambientes de temperatura elevada.
  - Evite superfícies ou objetos que possam causar-lhe ferimentos ou danificar o equipamento.
  - Certifique-se de que existe uma altura livre de queda ao trabalhar em alturas.
  - Nunca modifique ou altere o equipamento de proteção antiqueda. Apenas a 3M ou terceiros com autorização escrita da 3M podem efetuar reparações neste equipamento.
  - Antes de utilizar equipamento de proteção antiqueda, certifique-se de que existe um plano de resgate pronto a ser acionado caso ocorra um incidente de queda.
  - No caso de um incidente de queda, solicite imediatamente ajuda médica para o trabalhador que caiu.
  - Não utilize um cinto de segurança para aplicações de detenção da queda. Utilize apenas um arnês de corpo inteiro.
  - Minimise as quedas em pêndulo trabalhando o mais possível diretamente abaixo do ponto de ancoragem.
  - Se o dispositivo for utilizado durante uma formação, deve ser utilizado um sistema de proteção antiqueda secundário para garantir que o formando não fica exposto a perigos de queda.
  - Utilize sempre equipamento de proteção individual adequado durante a instalação, utilização ou inspeção do dispositivo/sistema.

Antes da instalação e utilização deste equipamento, registre os dados de identificação do produto da etiqueta de identificação no Registo de Inspeção e Manutenção (Tabela 2) no verso deste manual.

## DESCRIÇÃO DO PRODUTO:

A Figura 1 ilustra o carrinho de contrapeso de entrada/salvamento em espaços confinados 3M™ DBI-SALA®. O carrinho de contrapeso para espaços confinados foi concebido para ser um sistema portátil para ser montado e utilizado com um mastro de braços elevatórios de compensação variável de entrada/salvamento em espaços confinados 3M DBI-SALA. O sistema utiliza pratos de peso de 20 kg colocados nos sistemas de peso no carrinho para serem utilizados como contrapeso para o sistema a utilizar para detenção da queda e salvamento.

A Figura 2 ilustra os componentes do carrinho de contrapeso especificados na Tabela 1.

**Tabela 1 – Especificações**

Especificações dos componentes:		
Referência na Figura 2	Componente	Materiais
(A)	Estrutura das pernas	Alumínio - revestimento em pó. Aço carbono galvanizado
(B)	Secção Central	Alumínio - revestimento em pó Polietileno de alta densidade
(C)	Extensão de base	Alumínio - revestimento em pó Aço carbono galvanizado
(D)	Bolsas para empilhador	Aço carbono - revestimento em pó.
(E)	Bolsa de extensão	Alumínio - revestimento em pó
(F)	Estrutura do carrinho	Aço carbono - revestimento em pó.
(G)	Pega	Vinil
(H)	Cavilha de bloqueio dos pratos de peso	Aço carbono - revestimento em pó.
(I)	Colar de bloqueio	Aço carbono - revestimento em pó
(J)	Sistema de peso	Aço carbono - revestimento em pó
(K)	<b>8000123</b> -Prato de peso de 20 kg (vendido em separado)	Aço carbono - revestimento em pó

Cumpra as especificações seguintes se fornecer os próprios pratos de peso. O incumprimento dessas instruções resultará em lesões graves ou morte.

### Especificações dos pratos de peso:

Peso	20 kg (45 lbs)	
Abertura de barra	25,4 mm (1") - 38,1 mm (1,25")	
Espessura	Máximo de 36,5 mm (1,44")	
Diâmetro	Máximo de 457,2 mm (18")	



**Tabela 1 – Especificações**

<b>Especificações do sistema:</b>	
<b>Zona de trabalho</b>	Classificado para detenção da queda e salvamento à frente das pernas. Consulte a figura 6.
<b>Compatibilidade</b>	As Bases de Braço Elevatório abrangidas por estas instruções são compatíveis com Sistemas de Braço Elevatório de Curto e Longo Alcance e Alta Capacidade (HC) 3M™ DBI-SALA®. Requer a quantidade adequada de pratos de peso na Figura 1.
<b>Peso do sistema</b>	Com pratos: (20x)-606 kg (1336 libras). (36x)-925 kg (2039 libras).
	Sem pratos: 206 kg (455 libras)
<b>Dimensões</b>	Consulte a Figura 3 para ver as dimensões do carrinho de contrapeso.
<b>Capacidades de Peso:</b>	
<b>Capacidade de Manuseamento de Material</b>	205 kg (452 libras)

## 1.0 APLICAÇÃO DO PRODUTO

- 1.1 FINALIDADE:** As Bases de Braço Elevatório são pontos de fixação concebidos para Sistemas de Braço Elevatório 3M compatíveis. Consulte as instruções do Sistema de Braço Elevatório respetivo para saber como é utilizado e a sua funcionalidade.
- 1.2 NORMAS:** A Base de Braço Elevatório está em conformidade com as normas nacionais ou regionais identificadas na capa destas instruções. Se este produto for revendido fora do país de destino original, o revendedor deve fornecer estas instruções na língua do país no qual o produto será usado.
- 1.3 INSTALAÇÃO E SUPERVISÃO:** A instalação da Base de Braço Elevatório tem de ser supervisionada por uma Pessoa Competente<sup>1</sup>. Uma Pessoa Qualificada<sup>2</sup> tem de verificar se a instalação estrutural cumpre os regulamentos locais e federais. Uma Pessoa Qualificada tem de recomendar os elementos de fixação adequados e a localização correta da Base de Braço Elevatório. A utilização do Braço Elevatório e do equipamento de Detenção de Queda associado tem de ser supervisionado por uma Pessoa Competente.
- 1.4 DOCUMENTAÇÃO DO LOCAL:** Após a montagem e instalação das Bases de Braço Elevatório, a Documentação de Instalação de acordo com os requisitos de informação da norma EN795 Anexo A deve ser preenchida e entregue ao representante designado do utilizador. A Documentação de Instalação deve ser mantida no local de trabalho para exame posterior.
- 1.5 FORMAÇÃO:** Este equipamento deve ser instalado e utilizado por pessoas que tenham recebido formação quanto à sua correta aplicação. Este manual pode ser utilizado como parte do programa de formação de um colaborador e/ou regulamentos regionais. É da responsabilidade do utilizador e do instalador deste equipamento assegurarem que estão familiarizados com estas instruções, que receberam formação sobre o tratamento e utilização corretos deste equipamento e que estão sensibilizados para as características do funcionamento, os limites de aplicação e as consequências da utilização indevida do mesmo.
- 1.6 PLANO DE SALVAMENTO:** Quando utilizar o Braço Elevatório e o equipamento de Detenção de Queda associado, a entidade patronal tem de ter um plano de salvamento e meios disponíveis para implementar e comunicar esse plano aos utilizadores. Recomenda-se a presença de uma equipa de salvamento profissional no local. Os membros da equipa devem receber o equipamento e conhecer as técnicas necessárias para realizar um salvamento bem sucedido. A formação deve ser ministrada regularmente para assegurar a competência técnica do socorro.
- 1.7 FREQUÊNCIA DE INSPEÇÕES:** A Base de Braço Elevatório deve ser inspecionado pelo utilizador antes de cada utilização e, adicionalmente, por uma pessoa competente que não o utilizador em intervalos que não ultrapassem um ano.<sup>3</sup> Os procedimentos de inspeção estão descritos no "Registo de inspeções e manutenções". Os resultados de cada inspeção realizada por pessoas competentes devem ser registados em cópias do "Registo de inspeções e manutenções".

## 2.0 REQUISITOS DO SISTEMA

- 2.1 ANCORAGEM E ELEMENTOS DE FIXAÇÃO:** Qualquer estrutura e elementos de fixação (elementos de fixação, conforme o caso) utilizados para fixar a Base de Braço Elevatório têm de cumprir os "Requisitos de Fixação" definidos na Tabela 1.
- 2.1 COMPATIBILIDADE DE COMPONENTES:** O equipamento da 3M destina-se a ser usado apenas com outros componentes e subsistemas aprovados pela 3M. As substituições efetuadas com componentes ou subsistemas não aprovados podem comprometer a compatibilidade do equipamento e podem afetar a segurança e fiabilidade de todo o sistema.
- 2.2 SISTEMA PESSOAL DE DETENÇÃO DE QUEDA:** Os Sistemas Pessoais de Proteção Anti-queda (PFAS) usados com o sistema devem cumprir as normas, códigos e requisitos da proteção anti-queda aplicáveis. O PFAS tem de utilizar um arnês de corpo inteiro e limitar a força de detenção até aos seguintes valores:

	Força de máxima paragem	Queda livre
Sistema pessoal de paragem de queda com cabos de segurança amortecedores de impacto	6 kN (1350 lb)	Consulte as instruções incluídas com o seu cabo de segurança ou SRD para saber as limitações de queda livre.
Sistema pessoal de paragem de queda com dispositivo autorretrátil (SRD)	6 kN (1350 lb)	

- 2.3 PERIGOS:** A utilização deste equipamento em áreas com riscos ambientais pode necessitar de precauções acrescidas a fim de evitar lesões no utilizador ou danos no equipamento. Consulte as instruções do mastro do braço elevatório 3M para conhecer os perigos específicos que podem afetar a utilização do sistema.

<sup>1</sup> **Pessoa competente:** Pessoa capaz de identificar riscos existentes e previsíveis nas proximidades ou condições de trabalho pouco higiénicas, prejudiciais ou perigosas para os funcionários, e que tem autorização para tomar medidas corretivas imediatas para os eliminar.

<sup>2</sup> **Pessoa qualificada:** Um indivíduo com um grau reconhecido ou certificado profissional e experiência alargada em Proteção contra quedas. Este indivíduo deverá estar apto a desenhar, analisar, avaliar e a fornecer especificações para Proteção contra quedas.

<sup>3</sup> **Frequência de inspeções:** As condições de trabalho extremas (ambientes rigorosos, utilização prolongada, etc.) podem necessitar de aumentar a frequência das inspeções por pessoas competentes.

### 3.0 INSTALAÇÃO

**3.1 PLANEAMENTO:** Planeie o seu sistema de proteção antiqueda antes da instalação do carrinho de contrapeso. Tenha em consideração todos os fatores que possam afetar a sua segurança antes, durante e após uma queda. Tenha em consideração todos os requisitos definidos na Secção 2 e na Tabela 1 para determinar o veículo e posicionamento corretos do carrinho de contrapeso.

**3.2 MONTAGEM E CONFIGURAÇÃO:** Consulte a Figura 4.

1. Coloque o carrinho numa superfície plana. Verifique as bolhas do nível no carrinho e certifique-se de que as bolhas estão centradas.
2. Insira a extensão de base num dos lados da bolsa de extensão; bloqueie com cavilha na posição certa e aperte o parafuso tri-asa.
3. Insira a secção central na extensão da base e bloqueie com cavilha na posição certa.
4. Insira ambas as estruturas de perna na secção central e bloqueie com cavilha na posição certa.
5. Para ajustar o comprimento da extensão de base, remova a cavilha de bloqueio e afrouxe o parafuso tri-asa rodando-o no sentido contrário ao dos ponteiros do relógio.
6. Estenda a secção dianteira da base para fora, afastando-a do carrinho.
7. Insira a cavilha de bloqueio e volte a apertar o parafuso tri-asa rodando-o no sentido dos ponteiros do relógio.
8. Nivele o sistema ajustando os pés de nivelamento nas estruturas de perna até que a bolha do nível esteja centrada.
9. Adicione a quantidade adequada de pratos de peso ao carrinho de acordo com o que o Braço Elevatório HC esteja a ser utilizado. Consulte a figura 1.
10. Faça deslizar o colar de bloqueio contra os pratos de peso nos 4 lados do sistema de pesos e aperte utilizando a chave sextavada para impedir que os pratos se movam. Consulte a figura 5.
11. Insira a cavilha de bloqueio no sistema de pesos. Consulte a figura 5.

*Anéis de elevação não para detenção da queda, apenas para elevação suspensa.*

### 4.0 UTILIZAR

**4.1 ANTES DE CADA UTILIZAÇÃO:** Confirme que a sua área de trabalho e sistema pessoal de proteção antiquedas (PFAS) cumprem os critérios definidos na Secção 2 e que existe um Plano de Salvamento implementado. Inspeção o carrinho de contrapeso de acordo com os pontos de inspeção do "Utilizador" definidos no "Registo de Inspeção e Manutenção" (tabela 2). Não utilize o sistema se a inspeção revelar uma condição perigosa ou defeituosa. Retire o sistema do serviço e destrua, ou contacte a 3M relativamente a substituição ou reparação.

**4.2 DURANTE A UTILIZAÇÃO:**

*O rodízio deve ser bloqueado.*

*Ligue a ambos os anéis ao elevar o carrinho.*

*O veio do colar e a cavilha têm de ser apertados e encaixados depois de os pesos terem sido colocados sobre os sistemas nos 4 lados durante a utilização e transporte. Consulte a figura 5.*

**4.3 TRANSPORTE/APÓS A UTILIZAÇÃO:**

*As peças têm de ser armazenadas no carrinho durante o transporte. Consulte a figura 7.*

*Incluir bolsas para empilhador.*

*O carrinho inclui anéis de elevação para utilizar com grua suspensa. O dispositivo de elevação tem de estar ligado a ambos os anéis de elevação no carrinho.*

### 5.0 INSPEÇÃO

**5.1 FREQUÊNCIA DE INSPEÇÕES:** O carrinho de contrapeso tem de ser inspecionado nos intervalos definidos na Secção 1. Os procedimentos de inspeção são descritos no "Registo de Inspeções e Manutenções" (tabela 2). Inspeção todos os outros componentes do Sistema de Proteção Antiqueda de acordo com as frequências e os procedimentos definidos nas instruções do fabricante.

**5.2 DEFEITOS:** Se a inspeção revelar condições perigosas ou defeituosas, retire imediatamente de serviço o carrinho de contrapeso e contacte a 3M, relativamente a substituição ou reparação. Não tente reparar o Sistema de detenção da queda.

**Apenas reparações autorizadas:** Apenas a 3M ou terceiros com autorização escrita podem efetuar reparações neste equipamento.

**5.3 VIDA DO PRODUTO:** A vida funcional do sistema de detenção da queda é determinada pelas condições de trabalho e manutenção. Enquanto o produto passar os critérios de inspeção, poderá continuar a ser utilizado.

## 6.0 MANUTENÇÃO, REPARAÇÃO, ARMAZENAMENTO


**6.1 LIMPEZA:** Limpe periodicamente os componentes metálicos do carrinho de contrapeso com uma escova suave, água morna e uma solução de sabão suave. Certifique-se de que as peças foram lavadas minuciosamente com água limpa.

**6.2 ASSISTÊNCIA:** Apenas a 3M ou terceiros com autorização escrita pela 3M podem efetuar reparações neste equipamento. Se a Base de Braço Elevatório tiver sido sujeita a forças de queda ou se a inspeção revelar condições perigosas ou defeituosas, retire o sistema de serviço e contacte a 3M relativamente a substituição ou reparação.

**6.3 ARMAZENAMENTO E TRANSPORTE:** Quando não estiver a ser utilizado, armazene e transporte o carrinho de contrapeso e o equipamento de proteção antiqueda associado num ambiente limpo, seco e fresco, afastado da luz solar direta. Evite áreas onde possam existir vapores químicos. Inspeccione minuciosamente os componentes após armazenamento prolongado.

## 7.0 ETIQUETAS

A Figura 8 ilustra as etiquetas do carrinho de contrapeso. As etiquetas devem ser substituídas se não forem completamente legíveis. As informações fornecidas em cada etiqueta são as seguintes:

	Ler todas as instruções.
1	Certificação de Normas CE
2	Cumpra os requisitos de teste da EN1496:2012
3	Especificações do sistema e pratos do carrinho de contrapeso
4	Certificação de Normas AS/NZS
5	A) Fabrico (Ano, Mês) B) Número de Modelo C) Número de Série
6	Peso do carrinho e especificações do pratos
7	Aviso de apenas elevação
8	A) Compensação Máxima do Braço Elevatório B) Classificado para manuseamento de material de 205 kg (452 libras) C) Força de Detenção Máxima (MAF) do Sistema Pessoal de Proteção Antiquedas (PFAS) ≤ 6 kN (1350 libras)

**Tabela 3 – Registo de Inspeções e Manutenções**

Data da inspeção:		Inspeccionado por:	
Componentes:	Inspeção: (Para obter mais informações acerca da <i>Frequência de inspeções</i> da unidade, consulte a secção 1)	Utilizador	Pessoa competente <sup>1</sup>
Carrinho de contrapeso (Figura 1)	Inspeccione o carrinho de contrapeso para verificar se existem fissuras, dobras ou deformações.	<input type="checkbox"/>	<input type="checkbox"/>
	Inspeccione toda a unidade para verificar se existe corrosão.	<input type="checkbox"/>	<input type="checkbox"/>
Etiquetas (Figuras 8 e 9)	Confirme que todas as etiquetas estão bem fixadas e legíveis (consulte a secção "Etiquetas")	<input type="checkbox"/>	<input type="checkbox"/>
Sistema pessoal de paragem de queda e outros equipamentos	O equipamento adicional do sistema pessoal de proteção anti-queda (PFAS) (arnês, SRL, etc.) utilizado com a Base de Braço Elevatório de Montagem Mural deve ser instalado e inspeccionado de acordo com as instruções do fabricante.	<input type="checkbox"/>	<input type="checkbox"/>
<b>Número(s) de série:</b>		<b>Data de aquisição:</b>	
<b>Número do modelo:</b>		<b>Data da primeira utilização:</b>	
<b>Ação corretiva/manutenção:</b>		Aprovado por:	
		Data:	
<b>Ação corretiva/manutenção:</b>		Aprovado por:	
		Data:	
<b>Ação corretiva/manutenção:</b>		Aprovado por:	
		Data:	
<b>Ação corretiva/manutenção:</b>		Aprovado por:	
		Data:	
<b>Ação corretiva/manutenção:</b>		Aprovado por:	
		Data:	
<b>Ação corretiva/manutenção:</b>		Aprovado por:	
		Data:	
<b>Ação corretiva/manutenção:</b>		Aprovado por:	
		Data:	
<b>Ação corretiva/manutenção:</b>		Aprovado por:	
		Data:	
<b>Ação corretiva/manutenção:</b>		Aprovado por:	
		Data:	
<b>Ação corretiva/manutenção:</b>		Aprovado por:	
		Data:	
<b>Ação corretiva/manutenção:</b>		Aprovado por:	
		Data:	

<sup>1</sup> **Pessoa competente:** Pessoa capaz de identificar riscos existentes e previsíveis nas proximidades ou condições de trabalho pouco higiénicas, prejudiciais ou perigosas para os funcionários, e que tem autorização para tomar medidas corretivas imediatas para os eliminar.

# ТЕХНИКА БЕЗОПАСНОСТИ

Перед использованием данного средства для входа в ограниченное пространство/защиты от падения втягивающего типа (SRD) пользователи должны изучить, понять и соблюдать все указания по технике безопасности, содержащиеся в данной инструкции. **НЕСОБЛЮДЕНИЕ ПРАВИЛ, УКАЗАННЫХ В ИНСТРУКЦИИ, МОЖЕТ ПРИВЕСТИ К СЕРЬЕЗНЫМ ТРАВМАМ ИЛИ СМЕРТИ.**

Эти инструкции должны быть предоставлены пользователю оборудования. Сохраните эту инструкцию для дальнейшего использования.

## Предусмотренное использование:

Данное средство для входа в ограниченное пространство/защиты от падения втягивающего типа предназначено для использования в комплекте с персональной страховочной системой или в качестве системы спасения и эвакуации.

Любое другое использование, в том числе, помимо прочего, погрузочно-разгрузочные операции, мероприятия, связанные с досугом, связанная со спортом деятельность или другие виды деятельности, не описанные в Инструкциях по эксплуатации или Инструкциях по установке, не утверждено компанией 3M и может привести к серьезным травмам или летальному исходу.

Данное устройство предназначено для использования лицами, обученными правильному применению этого устройства на рабочем месте.



## ВНИМАНИЕ

Это устройство входа в замкнутое пространство/спасательное устройство представляет собой часть персональной страховочной системы. Ожидается, что все пользователи будут полностью обучены безопасной установке и эксплуатации всей данной системы. **Неправильное использование данного устройства может привести к серьезным травмам или летальному исходу.** Для правильного подбора, эксплуатации, монтажа и технического обслуживания см. все Инструкции по эксплуатации и все рекомендации производителя, а также можете обратиться к своему руководителю или в службу технической поддержки компании 3M.

- **Что необходимо делать, чтобы снизить риски, связанные с входом в замкнутое пространство/работой со средствами защиты от падения втягивающего типа, которые, если их не избежать, могут привести к серьезным травмам или летальному исходу:**
  - Перед каждым использованием устройства проверяйте его как минимум раз в год и после любого случая падения. Выполняйте проверку в соответствии с инструкцией по эксплуатации данного продукта.
  - Если при проверке было выявлено, что какие-либо элементы находятся в неисправном состоянии, снимите устройство с эксплуатации и отремонтируйте или замените его в соответствии с Инструкцией по эксплуатации.
  - Любое устройство, подвергшееся тормозящим или ударным воздействиям при остановке падения, подлежат немедленному изъятию из эксплуатации. См. Инструкцию по эксплуатации или свяжитесь с компанией 3M Fall Protection.
  - Это устройство должно устанавливаться только в соответствии с инструкциями по установке или инструкциями по эксплуатации. Установка и использование, выходящие за рамки инструкции, должны быть утверждены в письменной форме компанией 3M Fall Protection.
  - Материал или конструкция, к которым прикреплено это устройство, должны выдерживать статические нагрузки, указанные для устройства в ориентациях, разрешенных в инструкциях по эксплуатации или в инструкциях по установке.
  - Не превышайте количество допустимых пользователей.
  - Никогда не работайте под подвешенным грузом или работником.
  - Соблюдайте осторожность при установке, использовании и перемещении этого устройства, поскольку движущиеся части могут создавать потенциальные точки защемления. См. Инструкцию по эксплуатации.
  - Убедитесь, что соблюдены надлежащие процедуры, касающиеся блокировки/отключения.
  - Никогда не подсоединяйтесь к системе до тех пор, пока она не будет правильно расположена, полностью собрана, отрегулирована и установлена. Не занимайтесь регулировкой системы в то время, когда пользователь подсоединен.
  - Подключайте подсистемы защиты от падения только к указанной точке крепления анкера на устройстве.
  - Перед сверлением или креплением убедитесь, что не произойдет контакта линий электропередачи, газопроводов или других важных встроенных систем со сверлом или устройством.
  - Убедитесь в том, что системы/подсистемы защиты от падения, собранные из компонентов, изготовленных разными производителями, совместимы друг с другом и соответствуют требованиям действующих стандартов, включая ANSI Z359 или другим действующим нормам, стандартам или требованиям к системам защиты от падения. Перед использованием данных систем всегда консультируйтесь с компетентным или квалифицированным специалистом.
- **Что необходимо делать, чтобы снизить риски, связанные с работой на высоте, которые, если их не избежать, могут привести к серьезным травмам или летальному исходу:**
  - Убедитесь, что ваше здоровье и физическое состояние позволяет безопасно выдерживать всю нагрузку, связанную с работой на высоте. Проконсультируйтесь со своим врачом, если у вас есть какие-либо вопросы относительно вашей способности использовать данное оборудование.
  - Никогда не превышайте допустимую нагрузку своего оборудования для предотвращения падения.
  - Никогда не превышайте максимальное расстояние свободного падения своего оборудования для предотвращения падения.
  - Не используйте какое-либо оборудование для предотвращения падения, которое не прошло осмотр перед использованием или другие плановые проверки, или если у вас есть сомнения по поводу использования или пригодности этого оборудования для конкретного варианта применения. При наличии каких-либо вопросов, обращайтесь в службу технических услуг компании 3M.
  - Некоторые сочетания компонентов и подсистем могут препятствовать нормальной работе снаряжения. Используйте только совместимые соединения. Перед использованием этого оборудования вместе с компонентами или подсистемами, не описанными в данной инструкции пользователя, обращайтесь за консультацией в компанию 3M.
  - Соблюдайте дополнительные меры предосторожности при работе с движущимися механизмами (например, верхний силовой привод буровых вышек), при опасности поражения электрическим током, при экстремальных температурах, в присутствии опасных химических веществ, взрывчатых или токсичных газов, при острых краях или при выполнении работ под материалами, расположенными над головой, которые могут упасть на вас или на ваше оборудование для предотвращения падения.
  - Использование оборудования, в котором применяется электрическая дуга, или оборудования для горячих работ при работе в условиях высоких температур.
  - Избегайте поверхностей и предметов, которые могут нанести вред пользователю или оборудованию.
  - Убедитесь в наличии достаточного безопасного расстояния опускания при работе на высоте.
  - Никогда не модифицируйте и не вносите изменения в свое оборудование для защиты от падения. Только компания 3M или организации, имеющие письменное разрешение от компании 3M, могут производить ремонт этого оборудования.
  - Перед использованием оборудования для защиты от падения, убедитесь в наличии плана спасения, который позволяет быстро организовать спасательные работы в случае падения.
  - Если происходит падение, то немедленно организуйте врачебную помощь упавшему работнику.
  - Для страховки от падения страховочные пояса использовать не следует. Используйте только страховочную привязь, охватывающую туловище.
  - Для снижения опасности падения с размахом работайте непосредственно под точкой крепления или как можно ближе к ней.
  - Если это устройство используется с целью обучения, то необходимо использовать вторичную систему защиты от падения таким образом, чтобы не подвергать стажера непредусмотренной опасности падения.
  - Всегда носите соответствующие средства индивидуальной защиты при установке, эксплуатации или проверке данного устройства/данной системы.

Перед установкой и использованием запишите идентификационную информацию об изделии, указанную на идентификационной этикетке, в журнал проверки и обслуживания (таблица 2) на обратной стороне этого руководства.

## ОПИСАНИЕ ИЗДЕЛИЯ.

На рис. 1 изображена тележка с противовесом для входа в замкнутое пространство / проведения спасательных работ 3М™ DBI-SALA®. Тележка с противовесом для входа в замкнутое пространство представляет собой портативную систему, устанавливаемую на мачте совместимых наклонных опор с изменяемым смещением для входа в замкнутое пространство / проведения спасательных работ 3М DBI-SALA. В системе применяются пластины-грузы весом 20 кг, размещенные на держателях грузов тележки, они используются в качестве противовеса для системы, используемой для остановки падения, а также спасения и эвакуации.

На рисунке 2 показаны компоненты тележки с противовесом (см. таблицу 1).

**Таблица 1. Технические условия**

Технические характеристики элементов:		
Обозначения на рис. 2	Компонент	Материалы
Ⓐ	Стойка в сборе	Алюминий, порошковое покрытие Углеродистая, оцинкованная сталь
Ⓑ	Центральная секция	Алюминий, порошковое покрытие Полиэтилен высокой плотности
Ⓒ	Удлинитель основания	Алюминий, порошковое покрытие Углеродистая, оцинкованная сталь
Ⓓ	Углубления под вилы	Углеродистая сталь с порошковым покрытием
Ⓔ	Карман удлинителя	Алюминий, порошковое покрытие
Ⓕ	Тележка в сборе	Углеродистая сталь с порошковым покрытием
Ⓖ	Нажимная рукоятка	Винил
Ⓗ	Стержень блокировки пластины-груза	Углеродистая сталь с порошковым покрытием
Ⓘ	Зажимной воротник	Углеродистая сталь с порошковым покрытием
Ⓝ	Держатель грузов	Углеродистая сталь с порошковым покрытием
Ⓚ	<b>8000123</b> -20 кг пластина-груз (продаются по отдельности)	Углеродистая сталь с порошковым покрытием

Соответствуют следующим техническим характеристикам при поставке оригинальных пластин-грузов. Несоблюдение изложенных в инструкции правил может привести к серьезным травмам или смерти.

Технические характеристики пластины-груза:		
Вес	20 кг (45 фунтов)	
Отверстие стержня	25,4 мм (1 дюйм) – 38,1 мм (1,25 дюйма)	
Толщина	Максимум 36,5 мм (1,44 дюйма)	
Диаметр	Максимум 457,2 мм (18 дюймов)	

**Таблица 1. Технические условия**

<b>Характеристики системы:</b>	
<b>Рабочая зона</b>	Предназначена для защиты от падения и спасения спереди стоек. См. рис. 6.
<b>Совместимость</b>	Основания наклонных опор, описанные в данной инструкции, совместимы с системами наклонных опор большой грузоподъемности (БГ) 3М™ DBI-SALA® с коротким и большим вылетом стрелы. Требуемое количество пластин-грузов на рис. 1.
<b>Вес системы</b>	С пластинами: (20х)-606 кг (1336 фунтов). (36х)-925 кг (2039 фунтов).
	Без пластин: 206 кг (455 фунтов)
<b>Размеры</b>	Размеры тележки с противовесом см. на рис. 3.
<b>Максимальный вес:</b>	
<b>Грузоподъемность при выполнении погрузочно-разгрузочных работ</b>	205 кг (452 фунта)



## 1.0 ПРИМЕНЕНИЕ ИЗДЕЛИЯ

- 1.1 НАЗНАЧЕНИЕ.** Основания наклонной опоры представляют собой специально разработанные точки крепления для совместимых систем наклонных опор ЗМ. Инструкции по использованию системы и принципу ее работы см. в соответствующей инструкции по эксплуатации системы наклонной опоры.
- 1.2 СТАНДАРТЫ.** Это основание наклонной опоры соответствует требованиям государственных или региональных стандартов, перечисленных на обложке этой инструкции. При перепродаже оборудования за пределы страны его производства посредник должен предоставить данные инструкции на языке страны, в которой будет использоваться оборудование.
- 1.3 УСТАНОВКА И НАДЗОР:** Установка основания наклонной опоры должна проводиться под надзором компетентного лица<sup>1</sup>. Квалифицированное лицо<sup>2</sup> должно удостовериться в том, что установленная конструкция соответствует местным и государственным нормативам. Квалифицированное лицо должно рекомендовать подходящие крепежные изделия и обеспечить соответствующее размещение основания наклонной опоры. Эксплуатация наклонной опоры и средств защиты от падения с высоты должна осуществляться под надзором компетентного лица.
- 1.4 ДОКУМЕНТАЦИЯ ПО УСТАНОВКЕ НА ОБЪЕКТЕ.** После сборки и установки оснований наклонных опор установщик должен подготовить документацию по установке в соответствии с информационными требованиями EN795, Приложение А, и передать ее представителю, назначенному пользователем. Документацию по установке необходимо хранить на месте проведения работ в целях последующей проверки.
- 1.5 ОБУЧЕНИЕ.** К монтажу и эксплуатации данного оборудования допускаются лица, прошедшие соответствующее обучение. Данное руководство можно использовать как часть программы обучения персонала и/или в рамках местных нормативов. Лица, осуществляющие эксплуатацию и монтаж данного снаряжения, обязаны изучить настоящую инструкцию, пройти соответствующее обучение правилам эксплуатации данного снаряжения и ухода за ним и знать рабочие характеристики, пределы применения и последствия ненадлежащего использования данного снаряжения.
- 1.6 ПЛАН СПАСЕНИЯ.** Работодатель, использующий наклонную опору и подсоединенные средства защиты от падения с высоты, должен иметь план спасения и средства для проведения спасательных операций; кроме того, он должен сообщить об этом плане пользователям. Рекомендуется содержать на рабочей площадке подготовленную спасательную команду. Спасательная команда должна обладать всеми необходимыми навыками и оборудованием для успешного проведения спасательных работ. Для поддержания должной квалификации спасателей следует регулярно проводить обучение.
- 1.7 ПЕРИОДИЧНОСТЬ ПРОВЕРКИ.** Пользователь обязан осмотреть основание наклонной опоры непосредственно перед использованием. Кроме этого, другое компетентное лицо обязано проводить проверку системы не реже одного раза в год.<sup>3</sup> Порядок проверки изложен в документе «Журнал проверки и обслуживания». Результаты проверки снаряжения компетентным лицом заносятся в «Журнал проверки и технического обслуживания».

## 2.0 ТРЕБОВАНИЕ К СИСТЕМЕ

- 2.1 АНКЕРЫ И КРЕПЕЖНЫЕ ИЗДЕЛИЯ.** Любые конструкции и крепежные изделия (если применяются), используемые для прикрепления основания наклонной опоры, должны соответствовать «Требованиям к установке», указанным в таблице 1.
- 2.1 СОВМЕСТИМОСТЬ КОМПОНЕНТОВ.** Оборудование ЗМ предназначено только для использования с компонентами и вспомогательными системами, утвержденными компанией ЗМ. Замены с использованием непроверенных компонентов или подсистем могут подвергать риску совместимость оборудования и влиять на безопасность и надежность системы в целом.
- 2.2 ИНДИВИДУАЛЬНАЯ СТРАХОВОЧНАЯ СИСТЕМА.** Индивидуальные страховочные системы (ИСС), используемые вместе с данной системой, должны отвечать действующим нормам, стандартам или требованиям к системам защиты от падения с высоты. В ИСС необходимо использовать страховочную привязь со следующими предельными значениями усилия торможения:

	Максимальное усилие торможения	Свободное падение
ИСС с амортизирующим стропом	6 кН (1350 фунтов)	Предельные значения для свободного падения указаны в инструкциях, прилагаемых к вашему стропу или СЗВТ.
ИСС со средством защиты втягивающего типа (СЗВТ)	6 кН (1350 фунтов)	

- 2.3 ОПАСНЫЕ УСЛОВИЯ.** При использовании данного снаряжения в присутствии вредных факторов окружающей среды следует принять дополнительные меры предосторожности во избежание производственного травматизма и порчи снаряжения. Описание опасных условий, которые могут повлиять на эксплуатацию системы, см. в инструкции по эксплуатации наклонной мачты ЗМ.

**1 Компетентное лицо** — лицо, способное определить существующие или прогнозируемые риски в среде или рабочих условиях, не соответствующих санитарным нормам или представляющих опасность для рабочих, и обладающее полномочиями для принятия быстрых корректирующих мер по устранению этих рисков.

**2 Квалифицированное лицо** — сотрудник, имеющей признанную квалификацию или профессиональный диплом, а также обширный опыт в сфере защиты от падения. Такой сотрудник должен уметь конструировать, проводить анализ и оценку, а также определять технические характеристики систем защиты от падения.

**3 Периодичность проверки.** При экстремальных условиях эксплуатации (суровые климатические условия, длительное использование и т. п.) могут потребоваться более частые проведения проверок компетентным лицом.

### 3.0 УСТАНОВКА

**3.1 ПЛАНИРОВАНИЕ:** Планируйте систему защиты от падения с высоты до установки тележки с противовесом. Учитывайте факторы, которые могут влиять на безопасность до, во время и после падения. Примите во внимание все требования, указанные в разделе 2 и таблице 1, для выбора подходящего транспортного средства и размещения тележки с противовесом.

**3.2 СБОРКА И УСТАНОВКА:** См. рис. 4.

1. Разместите тележку на плоской поверхности. Убедитесь в том, что пузырьки уровня на тележке расположены по центру.
2. Вставьте удлинитель основания с каждой стороны кармана удлинителя; зафиксируйте с помощью штифта и затяните винт с трехлопастной головкой.
3. Вставьте центральную секцию в удлинитель основания и выполните фиксирование с помощью штифта.
4. Вставьте обе стойки в сборе в центральную секцию и выполните фиксирование с помощью штифта.
5. Чтобы отрегулировать удлинитель основания, извлеките стержень блокировки и ослабьте винт с трехлопастной головкой, вращая его против часовой стрелки.
6. Вытяните переднюю секцию основания.
7. Вставьте стержень блокировки и затяните винт с трехлопастной головкой, вращая его по часовой стрелке.
8. Выровняйте систему с помощью регулировочных ножек на стойках в сборе. Воздушный пузырек уровня должен располагаться по центру.
9. Добавьте соответствующее количество пластин-грузов на тележку в соответствии с характеристиками используемой наклонной опорой БГ. См. рис. 1.
10. Сдвиньте зажимной воротник к пластинам-грузам на всех 4-х сторонах держателя грузов и затяните пластины шестигранным ключом, чтобы они не двигались. См. рис. 5.
11. Вставьте стержень блокировки в держатель грузов. См. рис. 5.

*Подъемные кольца не предназначены для остановки падения, они предназначены только для подъема сверху.*

### 4.0 ЭКСПЛУАТАЦИЯ

**4.1 ПЕРЕД КАЖДЫМ ИСПОЛЬЗОВАНИЕМ.** Убедитесь, что ваше рабочее место и индивидуальная страховочная система (ИСС) отвечают всем критериям, указанным в разделе 2 и в действующем официальном плане спасения. Осмотрите тележку с противовесом в точках проверки из раздела «Пользователь» в порядке, описанном в «Журнале проверки и обслуживания» (таблица 2). Не используйте систему, если при осмотре обнаружено ее небезопасное или неисправное состояние. Выведите систему из эксплуатации и обратитесь в компанию 3М по поводу замены или ремонта.

**4.2 ВО ВРЕМЯ ИСПОЛЬЗОВАНИЯ:**

*Самоустанавливающееся колесо должно быть заблокировано.*

*Подъем тележки необходимо осуществлять за оба кольца.*

*Стержень воротника и шплинт должны быть закреплены и зафиксированы после размещения грузов на держателях со всех 4-х сторон при использовании и транспортировке. См. рис. 5.*

**4.3 ТРАНСПОРТИРОВКА / ПОСЛЕ ИСПОЛЬЗОВАНИЯ:**

*Во время транспортировки детали должны быть сложены на тележке. См. рис. 7.*

*Учитывайте карманы для погрузчиков.*

*У тележки есть кольца для подъема мостовым краном. Подъемное устройство необходимо подсоединить к обоим подъемным кольцам на тележке.*

### 5.0 ПРОВЕРКА

**5.1 ПЕРИОДИЧНОСТЬ ПРОВЕРКИ.** Проверка тележки с противовесом должна проводиться с интервалами, указанными в разделе 1. Порядок проверки изложен в «Журнале проверки и обслуживания» 2. Порядок и периодичность проверки всех других элементов системы защиты от падения с высоты см. в инструкциях их производителей.

**5.2 НЕИСПРАВНОСТИ:** Если в ходе проверки выявлено небезопасное или неисправное состояние, то немедленно снимите тележку с противовесом с эксплуатации и обратитесь в компанию ЗМ по поводу замены или ремонта. Не пытайтесь отремонтировать страховочную систему самостоятельно.

**Только санкционированный ремонт:** Ремонт этого оборудования могут осуществлять только компания ЗМ или организации, имеющие письменное разрешение.

**5.3 СРОК СЛУЖБЫ ИЗДЕЛИЯ:** Срок службы страховочной системы зависит от условий эксплуатации и качества технического обслуживания. Изделия могут находиться в эксплуатации до тех пор, пока они соответствуют требованиям контроля.

## 6.0 ТЕХНИЧЕСКОЕ ОБСЛУЖИВАНИЕ, РЕМОНТ, ХРАНЕНИЕ


**6.1 ОЧИСТКА:** Металлические компоненты тележки с противовесом следует периодически очищать при помощи щетки с мягкой щетиной, теплой воды и слабого мыльного раствора. Затем все элементы следует ополоснуть чистой водой.

**6.2 РЕМОНТ:** Ремонт этого оборудования могут осуществлять только компания ЗМ или организации, имеющие письменное разрешение от компании ЗМ. Следует изъять из эксплуатации тележку с противовесом, подвергшуюся воздействию сил, возникающих в процессе прекращения падения, а также при выявлении небезопасного или неисправного состояния, и обратиться в компанию ЗМ по вопросу замены или ремонта.

**6.3 ХРАНЕНИЕ И ТРАНСПОРТИРОВКА:** Неиспользуемую тележку противовесом и средства защиты от падения с высоты следует хранить и транспортировать в прохладных, сухих и чистых условиях, обеспечивающих защиту от прямых солнечных лучей. Избегайте помещений, в атмосфере которых могут присутствовать пары химических веществ. Компоненты, находившиеся на длительном хранении, подлежат тщательной проверке.

## 7.0 МАРКИРОВКА

На рис. 8 показаны этикетки тележки с противовесом. Этикетки необходимо заменить, если текст на них не совсем разборчивый. Содержание всех этикеток приведено ниже:

	Прочитайте все инструкции.
①	Сертификация по стандартам CE
②	Соответствует требованиям испытаний по стандарту EN1496:2012
③	Система тележки с противовесом и технические характеристики
④	Сертификация по стандартам AS/NZS
⑤	А) Дата изготовления (год, месяц) В) Номер модели С) Серийный номер
⑥	Вес тележки и технические характеристики пластины
⑦	Предупреждение: только для подъема
⑧	А) Максимальное смещение наклонной опоры Б) Максимальная грузоподъемность при выполнении погрузочно-разгрузочных работ: 205 кг (452 фунта) В) Индивидуальная страховочная система (ИСС) Максимальное усилие торможения (МУТ) ≤ 6 кН (1350 фунтов)

**Таблица 3. Журнал проверки и обслуживания**

<b>Дата проведения проверки:</b>		<b>Проверку выполнил:</b>	
<b>Компоненты:</b>	<b>Проверка:</b> (см. раздел 1 <i>Периодичность проверки</i> )	<b>Пользователь</b>	<b>Компетентное лицо<sup>1</sup></b>
Тележка с противовесом (рис. 1)	Осмотрите тележку с противовесом на наличие трещин, вмятин или деформации.	<input type="checkbox"/>	<input type="checkbox"/>
	Осмотрите устройство целиком на наличие признаков коррозии.	<input type="checkbox"/>	<input type="checkbox"/>
Маркировка (рисунки 8 и 9)	Убедитесь, что все этикетки хорошо приклеены и текст на них разборчивый (см. раздел <i>«Маркировка»</i> )	<input type="checkbox"/>	<input type="checkbox"/>
ИСС и прочее оборудование	Дополнительное оборудование для индивидуальной страховочной системы (ИСС) (привязь, СЗВТ и т. д.), которое используется с основанием наклонной опоры (БГ) с настенным креплением, необходимо установить и проверить в соответствии с инструкциями изготовителя.	<input type="checkbox"/>	<input type="checkbox"/>

<b>Серийный номер (а):</b>	<b>Дата покупки:</b>
<b>Номер модели:</b>	<b>Дата первого использования:</b>
<b>Устранение неисправности / техническое обслуживание:</b>	Утвердил:
	Дата:
<b>Устранение неисправности / техническое обслуживание:</b>	Утвердил:
	Дата:
<b>Устранение неисправности / техническое обслуживание:</b>	Утвердил:
	Дата:
<b>Устранение неисправности / техническое обслуживание:</b>	Утвердил:
	Дата:
<b>Устранение неисправности / техническое обслуживание:</b>	Утвердил:
	Дата:
<b>Устранение неисправности / техническое обслуживание:</b>	Утвердил:
	Дата:
<b>Устранение неисправности / техническое обслуживание:</b>	Утвердил:
	Дата:
<b>Устранение неисправности / техническое обслуживание:</b>	Утвердил:
	Дата:
<b>Устранение неисправности / техническое обслуживание:</b>	Утвердил:
	Дата:
<b>Устранение неисправности / техническое обслуживание:</b>	Утвердил:
	Дата:
<b>Устранение неисправности / техническое обслуживание:</b>	Утвердил:
	Дата:
<b>Устранение неисправности / техническое обслуживание:</b>	Утвердил:
	Дата:
<b>Устранение неисправности / техническое обслуживание:</b>	Утвердил:
	Дата:
<b>Устранение неисправности / техническое обслуживание:</b>	Утвердил:
	Дата:
<b>Устранение неисправности / техническое обслуживание:</b>	Утвердил:
	Дата:

**1** *Квалифицированный специалист* — лицо, способное определить существующие или прогнозируемые риски в среде или рабочих условиях, не соответствующих санитарным нормам или представляющих опасность для рабочих, и обладающее полномочиями для принятия быстрых корректирующих мер по устранению этих рисков.

## VARNOSTNE INFORMACIJE

**Preden uporabite to napravo za vhod v utesnjene prostore/reševanje iz utesnjenih prostorov (Confined Space Entry/Rescue Device), prosimo, da preberete, razumete prebrano in upoštevate vse varnostne informacije, ki jih vsebuje ta priročnik. NEUPOŠTEVANJE LAHKO POVZROČI HUDE TELESNE POŠKODBE ALI SMRT.**

**Navodila je treba posredovati uporabniku opreme. Te informacije vedno hranite na priročnem mestu.**

### Predvidena uporaba:

Ta naprava za vhod v utesnjene prostore/reševanje iz utesnjenih prostorov je namenjena za uporabo kot sestavni del celotnega sistema za zaščito pri padcu in reševanje oseb.

Podjetje 3M ne odobrava uporabe za katere koli druge namene, kar med ostalimi vključuje neodobreno prenašanje materialov, rekreativne ali športne dejavnosti oziroma druge dejavnosti, ki niso opisane v Navodilih za uporabnike ali Navodilih za namestitvev – neupoštevanje navedene predvidene uporabe lahko povzroči hude telesne poškodbe ali smrt!

To napravo sme uporabljati samo usposobljen uporabnik pri izvajanju del na delovnem mestu.

## OPOZORILO

Ta naprava za vhod v utesnjene prostore/reševanje iz utesnjenih prostorov je del sistema za zaščito pri padcu in reševanje oseb. Pričakuje se, da so vsi uporabniki podrobno seznanjeni in usposobljeni za varno namestitvev in delovanje celotnega sistema. **Nepravilna uporaba te naprave lahko povzroči hude telesne poškodbe ali smrt.** Za pravilno izbiro, delovanje, namestitvev, vzdrževanje in servisiranje glejte ta Navodila za uporabo izdelka in vsa priporočila proizvajalca, se posvetujte z nadrejenim ali se obrnite na Tehnične storitve podjetja 3M.

- **Da bi se izognili povzročitvi hude telesne poškodbe ali smrti pri delu z napravo za vhod v utesnjene prostore/reševanje iz utesnjenih prostorov, morate upoštevati pravila za zmanjševanje tveganj, ki zahtevajo naslednje:**
  - Napravo preglejte pred vsako uporabo, najmanj pa enkrat letno in po vsakem dogodku, ki je sprožil delovanje naprave za preprečitev padca. Pri pregledu naprave vedno sledite Navodilom za uporabnike.
  - Če pri pregledu stanja naprave ugotovijo, da ni varna ali da je pomanjkljiva, jo umaknite iz uporabe in jo popravite ali zamenjajte, odvisno od zahtev v Navodilih za uporabnike.
  - Vsako napravo, ki je bila podvržena sili ob zadrževanju padca ali udarni sili, je treba nemudoma izločiti iz uporabe in uničiti. Glejte Navodila za uporabnike ali se obrnite na podjetje 3M Fall Protection.
  - Napravo je treba namestiti natanko tako, kot je podrobneje opisano v Navodilih za namestitvev ali Navodilih za uporabnike. Za namestitvev in načine uporabe, ki niso navedeni v navodilih, morate pridobiti pisno odobritev podjetja 3M Fall Protection.
  - Podlaga ali konstrukcija, na katero je naprava pritrjena, imeti mora zadostno trdnost, da zdrži statične obremenitve, ki so za dovoljene usmeritve pritrđenih trakov/vrvi navedene v Navodilih za uporabnike ali Navodilih za namestitvev v oddelku za specifikacije naprave.
  - Ne smete preseči števila dopustnih uporabnikov.
  - Nikoli ne smete delati pod visečim tovorom ali delavcem pri delu na višini.
  - Bodite previdni pri nameščanju, uporabi ali premikanju delov naprave, ker vas drseči deli naprave lahko stisnejo. Glejte Navodila za uporabnike.
  - Zagotovite pravilno uporabo opreme za začasno zaustavitev naprave (npr. ločilno stikalo)/opreme za označitev, da ne smete vklopiti napajanja, ker se izvaja pregled ali servisiranje naprave (oznaka se postavi na opremo za izklop energetskega napajanja za napravo), pri tem pa morate slediti ustreznim postopkom.
  - Uporabnik ne sme nikoli uporabljati sistema, ki ni postavljen v ustrezen položaj, v celoti sestavljen, nastavljen za svoj namen in montiran. Ko je uporabnik pritrjen na sistem, ne smete spreminjati nastavitev sistema.
  - Pod sisteme za zaščito pred padcem morate povezati izključno na označene sidrne priključne točke na napravi.
  - Pred vrtnanjem ali pritrjevanjem zagotovite, da sveder ali naprava ne bosta prišla v stik z električnimi vodi, plinovodi ali drugimi nevarnimi vgrajenimi sistemi.
  - Za sisteme/podsisteme za zaščito pred padcem, ki so sestavljeni iz komponent različnih izdelovalcev, zagotovite, da so vse komponente med sabo združljive in da izpolnjujejo zahteve ustreznih standardov, vključno s standardom ANSI Z359 ali z drugimi ustreznimi predpisi, standardi ali zahtevami v zvezi z zaščito pred padcem. Pred uporabo teh sistemov se vedno posvetujte s pristojno ali kvalificirano osebo.
- **Da bi se izognili povzročitvi hude telesne poškodbe ali smrti pri delu na višini, morate upoštevati pravila za zmanjševanje tveganj, ki zahtevajo naslednje:**
  - Zagotovite, da vam zdravje in fizična pripravljenost dovoljujeta, da varno delate in držite vse sile, ki ste jim izpostavljeni pri delu na višini. Če ste v dvomih glede svoje sposobnosti, da uporabljate to opremo, se posvetujte s svojim zdravnikom.
  - Nikoli ne smete preseči dopustne nosilnosti svoje opreme za zaščito pred padcem.
  - Nikoli ne smete preseči maksimalne razdalje prostega padca, ki je določena za vašo opremo za zaščito pred padcem.
  - Ne smete uporabiti opreme, za katero je bilo pri strokovnem pregledu pred uporabo ali pri drugem pregledu v okviru načrtovanih vzdrževalnih del ugotovljeno, da ne izpolnjuje pogojev za varno delo, ali če menite, da vaša oprema ne ustreza pogojem vašega delovnega mesta. Za vsa vprašanja se obrnite na Tehnične storitve podjetja 3M.
  - Kombinacije nekaterih podsistemov in sestavnih delov lahko ovirajo delovanje opreme. Uporabljajte samo združljive priključke. Pred uporabo opreme v kombinaciji s sestavnimi deli ali podsistemi, ki niso opisani v Navodilih za uporabnike, se posvetujte s podjetjem 3M.
  - Upoštevajte dodatne varnostne ukrepe, ko delate v bližini strojev za zemeljska dela (npr. zgornji pogon oljne ploščadi), visokonapetostnih električnih vodnikov, visoke temperature, nevarnih kemikalij, eksplozivnih ali strupenih plinov, ostrih robov, ali na deloviščih, na katerih se izvajajo dela na višini z materiali, ki lahko padejo na vas ali vašo opremo za zaščito pred padcem.
  - Ko delate v okoljih z visoko toploto, uporabljajte naprave za zaščito pred prebojnim vžigom ali naprave za zaščito pri varjenju, rezanju ali odprtem plamenu.
  - Izogibajte se površinam in predmetom, ki lahko poškodujejo uporabnika ali opremo.
  - Pri delu na višini zagotovite ustrezen prazen prostor na poti padca.
  - Svoje opreme za zaščito pred padcem nikoli ne smete spreminjati ali predelati. Popravila te opreme lahko izvaja samo podjetje 3M ali oseba, ki je od podjetja 3M pridobila pisno pooblastilo.
  - Pred uporabo opreme za zaščito pred padcem preverite, ali je izdelan načrt reševanja pri morebitnem padcu, ki zagotavlja takojšnje reševanje, če se zgodi nesreča.
  - Če se zgodi nesreča s padcem, nemudoma poiščite zdravniško pomoč za ponesrečenega delavca.
  - Za zaustavitev padca ne smete uporabiti jermena, nameščenega samo okrog pasu. Uporabljajte samo varovalno-pozicijski pas za celotno telo.
  - Nevarnost padcev z nihanjem lahko zmanjšate tako, da delate neposredno pod sidrno točko.
  - Ko uporabljate to napravo pri usposabljanju delavca, morate uporabiti sekundarno zaščito pred padcem na način, ki delavca, ki se še uči, ne bo izpostavil nevarnosti neželenega padca.
  - Vedno si nadenite osebno zaščitno opremo, ko nameščate, uporabljate, ali pregledujete napravo/sistem.

Pred namestitvijo in uporabo te opreme si z ID-nalepke v dnevnik za preglede in vzdrževanje (Preglednica 2), ki je na koncu tega priročnika, prepisite identifikacijske podatke izdelka.

## OPIS IZDELKA:

Slika 1 prikazuje protiutežni voziček za vhod v utesnjene prostore/reševanje iz utesnjenih prostorov 3M™ DBI-SALA®. Protiutežni voziček za vhod v utesnjene prostore je zasnovan kot prenosni sistem za nastavitev in uporabo z drogom združljivih dvižnih rok s spremenljivim odmikom za vhod v utesnjene prostore/reševanje 3M DBI-SALA. Sistem uporablja 20-kg utežne plošče, nameščene na stojalih za uteži, ki se uporabljajo kot protiutež za sistem, ki se uporablja za zaustavljanje padcev in reševanje.

Slika 2 prikazuje sestavne dele protiutežnega vozička, specficiranega v preglednici 1.

## Preglednica 1 – specifikacije

Specifikacije sestavnih delov:		
Slika 2 Referenca	Sestavni del	Materiali
(A)	Sklop noge	Aluminij – prašno barvano Ogljikovo jeklo – pocinkano
(B)	Središčni del	Aluminij – prašno barvano Polietilen velike gostote
(C)	Podaljšek podnožja	Aluminij – prašno barvano Ogljikovo jeklo – pocinkano
(D)	Ležišča vilic	Ogljikovo jeklo – prašno barvano
(E)	Ležišče podaljška	Aluminij – prašno barvano
(F)	Sklop vozička	Ogljikovo jeklo – prašno barvano
(G)	Potisna ročica	Vinil
(H)	Zaklepni zatič utežne plošče	Ogljikovo jeklo – prašno barvano
(I)	Zaklepna objemka	Ogljikovo jeklo – prašno barvano
(J)	Stojalo za uteži	Ogljikovo jeklo – prašno barvano
(K)	<b>8000123</b> – 20-kg utežna plošča (naprodaj ločeno)	Ogljikovo jeklo – prašno barvano

Če zagotovite svoje utežne plošče, upoštevajte naslednje specifikacije. V nasprotnem primeru pride do hudih telesnih poškodb ali smrti.

Specifikacije utežne plošče:		
Teža	20 kg (45 funtov)	
Odprtina za palico	25,4 mm (1") - 38,1 mm (1,25")	
Debelina	Največ 36,5 mm (1,44")	
Premer	Največ 457,2 mm (18")	

## Preglednica 1 – specifikacije

<b>Specifikacije sistema:</b>	
<b>Delovno območje</b>	Za zaustavljanje padca in reševanje pred nogami. Glejte sliko 6.
<b>Združljivost</b>	Podnožja dvižne roke, obravnavana v tem navodilu, so združljiva s sistemi dvižne roke za kratek in dolg doseg visoke nosilnosti (HC) 3M™ DBI-SALA®. Potrebujete ustrezno količino utežnih plošč na sliki 1.
<b>Teža sistema</b>	S ploščami: (20x)-606 kg (1336 funtov). (36x)-925 kg (2039 funtov).
	Brez plošč: 206 kg (455 funtov)
<b>Mere</b>	Za mere protiutežnega vozička glejte sliko 3.
<b>Nosilnost:</b>	
<b>Nosilnost pri ravnanju z materiali</b>	205 kg (452 funtov)



## 1.0 UPORABA IZDELKA

- 1.1 NAMEN:** Podnožja opornika vključujejo montažne točke za pritrditev združljivih opornih sistemov 3M. Za uporabo in vrsto delovnih operacij opornega sistema glejte ustrezna navodila za oporni sistem.
- 1.2 STANDARDI:** To podnožje opornika je v skladu z državnimi ali regijskimi standardi, ki so navedeni na prvi strani teh navodil. Pri preprodaji tega izdelka zunaj prvotne namembne države mora preprodajalec zagotoviti prevod teh navodil v jezik države, v kateri se bo izdelek uporabljal.
- 1.3 MONTAŽA IN NADZOR:** Montažo podnožja opornika mora nadzorovati pristojna oseba<sup>1</sup>. Kvalificirana oseba<sup>2</sup> mora preveriti, ali montaža konstrukcije izpolnjuje lokalne in zvezne/državne predpise. Kvalificirana oseba mora priporočiti ustrezne pritrdilne elemente in pravilno postavitvev podnožja opornika. Pristojna oseba mora opravljati nadzor nad potekom uporabe opornika in pritrjene opreme za zaščito pred padcem.
- 1.4 DOKUMENTACIJA O IZVEDENIH DELIH:** Ko sta sestavljanje in montaža podnožij opornika končana, mora monter izdelati montažno dokumentacijo, ki izpolnjuje informativne zahteve standardov EN 795, Priloga A, in jo izročiti pooblaščenemu zastopniku uporabnika. Montažna dokumentacija se mora hraniti na kraju izvajanja del za poznejši pregled.
- 1.5 USPOSABLJANJE:** To opremo morajo namestiti in jo lahko uporabljajo samo osebe, ki so usposobljene za pravilno namestitvev in uporabo opreme. Ta priročnik se lahko uporabi kot sestavni del programa za usposabljanje zaposlenih in/ali regijskih predpisov. Uporabniki in monterji te opreme so odgovorni za seznanitev s temi navodili in za ustrezno usposabljanje, ki jim zagotavlja pravilno skrb za to opremo in njeno pravilno uporabo; poleg tega so odgovorni za seznanitev z delovnimi značilnostmi, omejitvami uporabe in posledicami nepravilne uporabe te opreme.
- 1.6 NAČRT REŠEVANJA:** Pri uporabi opornika in s tem povezane opreme za zaščito pred padcem mora imeti delodajalec pripravljen načrt reševanja in pripravljena, hitro dostopna sredstva za izvajanje tega načrta in njegovo posredovanje uporabnikom. Priporoča se zagotavljanje usposobljene reševalne ekipe na kraju izvajanja del. Članom reševalne ekipe je treba zagotoviti opremo in tehnike za izvedbo uspešnega reševanja. Usposabljanje je treba izvajati periodično za zagotavljanje strokovnosti in spretnosti pri reševanju.
- 1.7 POGOSTOST PREGLEDOV:** Uporabnik mora podnožje opornika pregledati pred vsako uporabo; poleg tega mora pristojna oseba, ki ni uporabnik, v intervalih, ki ne smejo biti daljši od enega leta, opraviti dodatni pregled.<sup>3</sup> Postopki pregledov so opisani v »Dnevniku pregledov in vzdrževanja«. Rezultati vsakega pregleda, ki ga opravi pristojna oseba, morajo biti vpisani v kopijah »Dnevnika pregledov in vzdrževanja«.

## 2.0 SISTEMSKÉ ZAHTEVE

- 2.1 SIDRANJE IN PRITRDILNI ELEMENTI:** Katera koli konstrukcija in pritrdilni elementi (pritrdilni elementi, če je primerno), ki se uporabijo za pritrditev podnožja opornika, morajo izpolniti »Zahteve za montažo«, navedene v tabeli 1.
- 2.1 ZDRUŽLJIVOST SESTAVNIH DELOV:** Oprema znamke 3M je namenjena samo za uporabo z drugimi odobrenimi deli in podsistemi znamke 3M. Nadomeščanje ali zamenjava komponent z neodobrenimi komponentami ali podsistemi lahko ogrozi združljivost opreme in lahko vpliva na varnost in zanesljivost celotnega sistema.
- 2.2 SISTEM ZA ZAUSTAVITEV PADCA OSEB:** Sistemi za zaustavitev padca oseb (PFAS), uporabljeni z opornim sistemom, morajo izpolnjevati veljavne standarde, predpise in zahteve za zagotavljanje zaščite pred padcem. Sistemi za zaustavitev padca oseb (PFAS) morajo uporabljati varovalno-pozicijski pas za celotno telo in omejiti silo zaviranja (pri zaviranju vrvi v primeru padca) na naslednje vrednosti:

	Največja sila zaviranja	Prosti padec
Sistem za zaustavitev padca oseb (PFAS) z vrvjo za blaženje sunkov	6 kN (1350 funtov)	Za omejitve prostega padca glejte navodila, priložena vaši vrvi z zaključno zanko ali samopovratni varovalni napravi (SRD).
Sistem za zaustavitev padca oseb (PFAS) s samopovratno varovalno napravo (SRD)	6 kN (1350 funtov)	

- 2.3 NEVARNOSTI:** Pri uporabi te opreme na nevarnih območjih se lahko zahtevajo dodatni previdnostni ukrepi za preprečitev možnosti poškodb uporabnika ali opreme. Za posebne nevarnosti, ki lahko vplivajo na uporabo sistema, glejte navodila za oporni drog 3M.

<sup>1</sup> **Pristojna oseba:** Oseba, ki je sposobna prepoznati obstoječe in morebitne nevarnosti v okolju ali delovnih pogojih, ki so nehygienične, življenjsko nevarne ali tvegane za zaposlene, in ki je pooblaščen, da nemudoma ukrepa s korektivnimi ukrepi za odpravljanje prepoznanih nevarnosti.

<sup>2</sup> **Kvalificirana oseba:** Posameznik, ki ima priznano stopnjo izobrazbe ali poklicno spričevalo in veliko izkušenj na področju zaščite pred padcem. Ta posameznik mora biti sposoben načrtovati, analizirati, ocenjevati in izdelovati specifikacije na področju zaščite pred padcem.

<sup>3</sup> **Pogostost pregledov:** Ekstremni delovni pogoji (težke klimatske razmere, daljša uporaba varovalne opreme ipd.) bodo morda zahtevali pogostejše preglede (krajše časovne presledke med pregledi), ki jih opravijo pristojne osebe.



### 3.0 NAMESTITEV

**3.1 NAČRTOVANJE:** Načrtujte sistem za zaščito pred padcem še pred namestitvijo protiutežnega vozička. Upoštevajte vse dejavnike, ki bi lahko vplivali na vašo varnost pred padcem, med njim in po njem. Upoštevajte vse zahteve, opredeljene v razdelku 2 in preglednici 1, da določite ustrezno vozilo in postavitvev protiutežnega vozička.

**3.2 SESTAVLJANJE IN POSTAVITEV:** Glejte sliko 4.

1. Voziček postavite na ravno površino. Preverite mehurčke vodnih tehtnic in poskrbite, da bodo mehurčki na sredini.
2. Na katero koli stran ležišča podaljška vstavite podaljšek podnožja; blokirajte ga z zatičem v ustreznem položaju in zategnite ročni vijak.
3. V podaljšek podnožja vstavite središčni del in ga blokirajte z zatičem v ustreznem položaju.
4. V središčni del vstavite oba sklopa nog in ga blokirajte za zatičem v ustreznem položaju.
5. Če želite prilagoditi podaljšek podnožja, odstranite blokirni zatič in razrahljajte ročni vijak, tako da ga obračate v nasprotni smeri urnega kazalca.
6. Podaljšajte sprednji del podnožja navzven stran od vozička.
7. Vstavite blokirni zatič in ponovno zategnite ročni vijak, tako da ga obračate v smeri urnega kazalca.
8. Izravnajte sistem, tako da prilagodite izravnalne nožice na sklopih nog, dokler mehurček vodne tehtnice ni na sredini.
9. Dodajte ustrezno količino utežnih plošč na voziček glede na to, za kaj se dvižna roka visoke nosilnosti (HC) uporablja. Glejte sliko 1.
10. Potisnite blokirno objemko ob utežne plošče na vseh štirih straneh stojala za uteži in jo pritrdite s šestrobim ključem, da preprečite premikanje plošč. Glejte sliko 5.
11. V stojalo za uteži vstavite blokirni zatič. Glejte sliko 5.

*Dvižni obroči niso namenjeni za zaustavljanje padca; samo za dviganje nad glavo.*

### 4.0 UPORABA

**4.1 PRED VSAKO UPORABO:** Prepričajte se, da vaše delovno območje in sistem za zaustavitev padca oseb (PFAS) ustrežata vsem merilom, določenim v razdelku 2, in da je izdelan uraden načrt reševanja. Preglejte protiutežni voziček skladno s kontrolnimi mesti »Uporabnika«, določenimi v »Dnevniku pregledov in vzdrževanja« (preglednica 2). Če se ob pregledu ugotovi, da sistem ni varen oziroma da je v okvari, ga ne uporabljajte. Izločite sistem iz uporabe in ga uničite oziroma stopite v stik z družbo 3M glede zamenjave ali popravila.

**4.2 MED UPORABO:**

*Kolesce mora biti blokirano.*

*Pri dviganju vozička ga priključite na oba obroča.*

*Drsni obroči in osnik morata biti pritrjena in sklopljena, potem ko se uteži položijo na stojala na vseh štirih straneh pri uporabi in prevažanju. Glejte sliko 5.*

**4.3 PREVOZ/PO UPORABI:**

*Pri prevažanju morajo biti deli shranjeni na vozičku. Glejte sliko 7.*

*Vključuje ležišča viličarja.*

*Voziček vključuje dvižne obroče za uporabo z mostnim dvigalom. Dvižno napravo je treba priključiti na oba dvižna obroča na vozičku.*

### 5.0 PREGLED

**5.1 POGOSTOST PREGLEDOV:** Protiutežni voziček je treba pregledovati v rednih časovnih presledkih, ki so določeni v razdelku 1. Postopki pregledov so opisani v »Dnevniku pregledov in vzdrževanja« 2. Vse sestavne dele sistema za zaščito pred padcem pregledujte tako pogosto, kot je določeno v navodilih proizvajalca, in skladno s postopki, ki so določeni v njih.

**5.2 NAPAKE:** Če pri pregledu ugotovite, da protiutežni voziček ni varen ali da je pomanjkljiv, ga takoj izločite iz uporabe in stopite v stik z družbo 3M glede zamenjave ali popravila. Ne poskušajte popravljati sistema za zaustavitev padca.

**Samo pooblaščen popravila:** *Popravila te opreme lahko opravlja samo podjetje 3M ali oseba, ki je pridobila pisno pooblastilo.*

**5.3 ŽIVLJENJSKA DOBA IZDELKA:** Uporabna življenjska doba sistema za zaustavitev padca je določena z delovnimi pogoji in vzdrževanjem. Dokler izdelek med pregledom izpolnjuje merila za uporabnost, ga lahko uporabljate.

## **6.0 VZDRŽEVANJE, SERVISIRANJE, SKLADIŠČENJE**


**6.1 ČIŠČENJE:** Kovinske sestavne dele protiutežnega vozička redno čistite z mehko krtačo, toplo vodo in blago milnico. Poskrbite, da se deli temeljito sperejo s čisto vodo.

**6.2 SERVIS:** Popravila te opreme lahko opravlja samo družba 3M ali oseba, ki je pridobila pisno pooblastilo družbe 3M. Če je bilo podnožje dvizhne roke izpostavljeno silam ob zaustavitvi padca ali če ste pri pregledu ugotovili, da ni varno ali da je pomanjkljivo, izločite sistem iz uporabe in stopite v stik z družbo 3M glede zamenjave ali popravila.

**6.3 SKLADIŠČENJE IN PREVOZ:** Kadar protiutežni voziček in povezana oprema za zaščito pred padcem nista v uporabi, ju hranite in transportirajte v hladnem, suhem in čistem okolju, stran od neposredne sončne svetlobe. Izogibajte se območjem, kjer obstaja verjetnost kemičnih hlapov. Po vsakem daljšem obdobju hrambe temeljito preglejte sestavne dele.

## **7.0 NALEPKE**

Slika 8 prikazuje nalepke na protiutežnem vozičku. Nečitljive nalepke morate zamenjati. Na posamezni nalepki so navedene naslednje informacije:

	Preberite vsa navodila.
①	Certifikat v skladu s standardi CE
②	Ustreza zahtevam za preverjanje po standardu EN1496:2012
③	Specifikacije sistema in plošč protiutežnega vozička
④	Certifikat po standardih AS/NZS
⑤	A) Izdelava (leto, mesec) B) Številka modela C) Serijska številka
⑥	Specifikacije teže vozička in plošč
⑦	Opozorilo glede samega dviganja
⑧	A) Največji odmik dvizhne roke B) Za ravnanje z materiali s težo 205 kg (452 funtov) C) Največja sila ob zaustavitvi padca (MAF) sistema za zaustavitev padca oseb (PFAS) ≤ 6 kN (1350 funtov)

### Preglednica 3 – Dnevnik pregledov in vzdrževanja

Preglednica 3 – Dnevnik pregledov in vzdrževanja			
Datum pregleda:		Pregledal:	
Sestavni deli:	Pregled: (Glejte poglavje 1 za Pogostost pregledov)	Uporabnik	Pristojna oseba <sup>1</sup>
Protiutežni voziček (slika 1)	Preverite, ali so na protiutežnem vozičku razpoke, udrtine ali deformacije.	<input type="checkbox"/>	<input type="checkbox"/>
	Preglejte celotno enoto glede korozije.	<input type="checkbox"/>	<input type="checkbox"/>
Nalepke (sliki 8 in 9)	Prepričajte se, da so vse nalepke dobro pritrjene in čitljive (glejte »Nalepke«)	<input type="checkbox"/>	<input type="checkbox"/>
PFAS in druga oprema	Dodatno opremo za sistem za zaustavitev padca oseb (PFAS) (jermenje za telo, samouvlečne rešilne vrvi (SRL) itd.), ki se uporablja s stenskim podnožjem dvizhne roke, je treba namestiti in pregledati skladno z navodili proizvajalca.	<input type="checkbox"/>	<input type="checkbox"/>
<b>Serijske številke:</b>		<b>Datum nakupa:</b>	
<b>Številka modela:</b>		<b>Datum prve uporabe:</b>	
<b>Popravljalni ukrep/vzdrževanje:</b>		Odobril/-a:	
		Datum:	
<b>Popravljalni ukrep/vzdrževanje:</b>		Odobril/-a:	
		Datum:	
<b>Popravljalni ukrep/vzdrževanje:</b>		Odobril/-a:	
		Datum:	
<b>Popravljalni ukrep/vzdrževanje:</b>		Odobril/-a:	
		Datum:	
<b>Popravljalni ukrep/vzdrževanje:</b>		Odobril/-a:	
		Datum:	
<b>Popravljalni ukrep/vzdrževanje:</b>		Odobril/-a:	
		Datum:	
<b>Popravljalni ukrep/vzdrževanje:</b>		Odobril/-a:	
		Datum:	
<b>Popravljalni ukrep/vzdrževanje:</b>		Odobril/-a:	
		Datum:	
<b>Popravljalni ukrep/vzdrževanje:</b>		Odobril/-a:	
		Datum:	
<b>Popravljalni ukrep/vzdrževanje:</b>		Odobril/-a:	
		Datum:	
<b>Popravljalni ukrep/vzdrževanje:</b>		Odobril/-a:	
		Datum:	
<b>Popravljalni ukrep/vzdrževanje:</b>		Odobril/-a:	
		Datum:	
<b>Popravljalni ukrep/vzdrževanje:</b>		Odobril/-a:	
		Datum:	
<b>Popravljalni ukrep/vzdrževanje:</b>		Odobril/-a:	
		Datum:	
<b>Popravljalni ukrep/vzdrževanje:</b>		Odobril/-a:	
		Datum:	

<sup>1</sup> **Pristojna oseba:** Oseba, ki je sposobna prepoznati obstoječe in morebitne nevarnosti v okolju ali delovnih pogojih, ki so nehygienične, življenjsko nevarne ali tvegane za zaposlene, in ki je pooblaščen, da nemudoma ukrepa s korektivnimi ukrepi za odpravljanje prepoznanih nevarnosti.

## SÄKERHETSINFORMATION

Läs igenom, se till att du förstår och följ all säkerhetsinformation i denna bruksanvisning innan du använder denna enhet för ingång/räddning i trånga utrymmen. OM DETTA INTE GÖRS KAN DET LEDA TILL ALLVARLIGA SKADOR ELLER DÖDSFALL.

Dessa anvisningar måste tillhandahållas för den som ska använda denna utrustning. Spara dessa instruktioner för framtida referens.

### Avsedd användning:

Denna enhet för ingång/räddning i trånga utrymmen är avsedd att användas som en del av ett komplett personligt fallskydds- eller räddningssystem.

Användning för andra syften, inklusive men ej begränsat till, icke godkända materialhanteringsapplikationer, fritids- och idrottsaktiviteter samt andra aktiviteter som inte beskrivs i bruksanvisningen eller installationsanvisningen, godkänns inte av 3M och kan leda till allvarlig personskada eller dödsfall.

Denna enhet ska endast användas av utbildade användare för professionellt bruk.

## VARNING

Den här enheten för ingång/räddning i trånga utrymmen är en del av ett personligt fallskydds- eller räddningssystem. Alla användare förväntas vara fullständigt utbildade i säker installation och användning av hela systemet. **Felaktig användning av den här enheten kan resultera i allvarlig skada eller dödsfall.** För korrekt val, användning, installation, underhåll och service hänvisas till alla bruksanvisningar för produkten och alla rekommendationer från tillverkaren, din arbetsledare eller 3M:s tekniska kundtjänst.

- **För att minska riskerna i samband med arbete med en enhet för ingång/räddning i trånga utrymmen, som om de inte undviks, kan leda till allvarliga personskador eller dödsfall:**
  - Kontrollera enheten före varje användning, minst en gång per år och efter varje fallhändelse. Utför kontrollen enligt bruksanvisningen.
  - Om inspektion avslöjar ett osäkert eller defekt tillstånd ska du ta anordningen ur drift och reparera eller byta ut den i enlighet med bruksanvisningen.
  - Varje enhet som har utsatts för fallstopp eller fallkraft måste omedelbart tas ur bruk. Se bruksanvisningarna eller kontakta 3M Fall Protection.
  - Enheten får endast installeras på det sätt som beskrivs i installationsanvisningarna eller bruksanvisningarna. Installation och användning på annat sätt än enligt anvisningarna måste godkännas skriftligen av 3M Fall Protection.
  - Underlaget eller strukturen i vilken utrustningen fästs måste kunna bära de statiska laster som anges för utrustningen i de riktningar som är tillåtna enligt bruksanvisningarna eller installationsanvisningarna.
  - Överskrid inte tillåtet antal användare.
  - Arbeta aldrig under en hängande last eller arbetare.
  - Iaktta försiktighet vid installation, användning och förflyttning av utrustningen eftersom delar i rörelse kan ge upphov till klämpunkter. Se bruksanvisningarna.
  - Säkerställ att lämpliga procedurer för låsning/spärrning följs när det är tillämpligt.
  - Anslut aldrig till ett system förrän detta har positionerats och fullständigt monterats, justerats och installerats. Justera inte systemet när en användare är ansluten.
  - Koppla endast delsystem till avsedda förankringskopplingar på utrustningen.
  - Säkerställ före borrning eller infästning att inga elledningar, gasledningar eller andra kritiska dolda system kommer i kontakt med borren eller utrustningen.
  - Se till att fallskyddssystem och delsystem som är monterade med komponenter från olika tillverkare är kompatibla och uppfyller kraven i tillämpliga standarder, inklusive ANSI Z359 eller andra tillämpliga regler, standarder eller krav på fallskydd. Anlita alltid en kompetent eller kvalificerad person före användning av dessa system.
- **För att minska risker för allvarlig skada eller dödsfall vid arbete på höga höjder:**
  - Se till att din hälsa och fysiska kondition medger att du säkert kan motstå alla krafter i samband med arbete på hög höjd. Rådgör med läkare om du har frågor kring din förmåga att använda den här utrustningen.
  - Överskrid aldrig din fallskyddsutrustnings godkända kapacitet.
  - Överskrid aldrig din fallskyddsutrustnings maximala avstånd för fritt fall.
  - Använd aldrig fallskyddsutrustning som inte godkänts vid inspektion före användning eller andra schemalagda inspektioner, eller om du är osäker på huruvida utrustningen kan användas eller lämpar sig för ditt tillämpningsområde. Vänd dig till 3M:s tekniska kundtjänst med eventuella frågor.
  - Vissa kombinationer av undersystem och komponenter kan störa utrustningens funktionsduglighet. Använd endast kompatibla kopplingar. Rådfråga 3M innan du använder denna utrustning i kombination med andra komponenter eller undersystem än de som beskrivs i bruksanvisningen.
  - Iaktta särskild försiktighet vid arbete i närheten av rörliga maskindelar (t.ex. toppspindel på oljerigg), elfara, höga temperaturer, farliga kemikalier, explosiva eller giftiga gaser, skarpa kanter eller under material som kan falla ner på dig eller din fallskyddsutrustning.
  - Använd Arc Flash- eller Hot Works-enheter vid arbete i miljöer med höga temperaturer.
  - Undvik ytor och föremål som kan skada användare eller utrustning.
  - Se till att det finns tillräcklig fallmarginal vid arbete på höga höjder.
  - Du skall aldrig modifiera eller ändra din fallskyddsutrustning. Endast 3M eller av 3M skriftligen auktoriserade parter får utföra reparationer på utrustningen.
  - Innan du använder fallskyddsutrustning skall du kontrollera att det finns en räddningsplan som medger snabb räddning vid eventuellt fall.
  - Vid fall bör arbetaren som fallit få omedelbar läkarvård.
  - Ett kroppsbalte får ej användas för fallstoppstillämpningar. Använd endast helkroppsselar.
  - Minimera risken för pendelfall genom att arbeta med förankringspunkten så rakt ovanför dig som möjligt.
  - Vid utbildning i användning av den här enheten måste ett andra fallskyddssystem användas för att inte utsätta personen som utbildas för en oavsiktlig fallrisk.
  - Använd alltid lämplig personlig skyddsutrustning vid installation, användning eller inspektion av enheten/systemet.

Anteckna ID-etikettens produktidentitetsuppgifter i besiktning- och underhållsloggen (Tabell 2) på baksidan av denna bruksanvisning före installation och användning av utrustningen.

### PRODUKTBESKRIVNING:

Figur 1 visar 3M™ DBI-SALA® motviktsvagn för ingång/räddning i trånga utrymmen. Motviktsvagnen för trånga utrymmen är avsett som ett flyttbart system som sätts upp och används med en mast på en kompatibel 3M DBI-SALA däckert med varierbar utliggning för trånga utrymmen. Systemet innehåller 20 kg viktplåtar som placeras på vagnens viktställ och används som motvikt för det system som används för fallskydd och räddning.

Figur 2 visar motviktsvagnens delar (specifikationer i Tabell 1).

**Tabell 1 – Specifikationer**

Komponentspecifikationer:		
Figur 2 referens	Komponent	Material
(A)	Benenhet	Pulverlackerad aluminium Förzinkat kolstål
(B)	Mittsektion	Pulverlackerad aluminium Polyeten med hög densitet (HDPE)
(C)	Fotförlängare	Pulverlackerad aluminium Förzinkat kolstål
(D)	Gaffelfickor	Pulverlackerat kolstål
(E)	Förlängningsurtag	Pulverlackerad aluminium
(F)	Vagnmontage	Pulverlackerat kolstål
(G)	Tryckhandtag	Vinyl
(H)	Låssprint för viktplåt	Pulverlackerat kolstål
(I)	Låskrage	Pulverlackerat kolstål
(J)	Viktställ	Pulverlackerat kolstål
(K)	<b>8000123</b> -20 kg viktplåt (säljs separat)	Pulverlackerat kolstål

Följande specifikationer skall följas vid anskaffning av egna plåtar. Förbiseende av detta kan det leda till allvarliga personskador eller dödsfall.

#### Specifikation av viktplåtar

Vikt	20 kg (45 lb)	Urtag	
Urtag	25,4–38,1 mm (1"–1,25")		
Tjocklek	Max 36,5 mm (1,44")		
Diameter	Max 457,2 mm (18")		

**Tabell 1 – Specifikationer**

<b>Systemspecifikationer:</b>	
<b>Arbetsområde</b>	Klassad för fallstopp och räddning framför benen. Se figur 6.
<b>Kompatibilitet</b>	De varianter av dävertfot som omfattas av denna instruktion är kompatibla med 3M™ DBI-SALA® däcksystem HC för kort och lång räckvidd. Erforderligt antal viktplåtar visas i Figur 1.
<b>Systemvikt</b>	Med plåtar 20 st: 606 kg (1336 lb), 36 st: 925 kg (2039 lb).
	Utan plåtar: 206 kg (455 lb)
<b>Mått</b>	Se Figur 3 angående motviktsvagnens mått
<b>Viktkapacitet:</b>	
<b>Kapacitet för materialhantering</b>	205 kg (452 lb)

## 1.0 PRODUKTANVÄNDNING

- 1.1 SYFTE:** Dävertstativ är konstruerade för montering av kompatibla 3M dävertsystem. Se instruktionerna för respektive dävertsystem angående deras användning och funktioner.
- 1.2 STANDARDER:** SRL-blocket överensstämmer med de nationella eller harmoniserade standarder som återges på framsidan av dessa instruktioner. Om denna produkt återförsäljs utanför det ursprungliga mottagarlandet, måste återförsäljaren tillhandahålla denna bruksanvisning på språket i det land där produkten kommer att användas.
- 1.3 INSTALLATION OCH ÖVERVAKNING:** Installation av dävertstativet skall övervakas av en kompetent person<sup>1</sup>. En kvalificerad person<sup>2</sup> skall kontrollera att det installerade systemet uppfyller gällande bestämmelser. En kvalificerad person skall rekommendera lämpliga fästelement och lämplig placering av dävertstativet. Användning av dävert och infäst fallskyddsutrustning skall övervakas av en kompetent person.
- 1.4 PLATSDOKUMENTATION:** Efter montering och installation av dävertstativ skall dokumentation av installationen enligt kraven som anges i EN795 Bilaga A fyllas i av installatören och överlämnas till användarens utsedda representant. Installationsdokumentationen skall förvaras på arbetsplatsen och vara tillgänglig för efterföljande undersökningar.
- 1.5 UTBILDNING:** Denna utrustning måste installeras och användas av personer som är utbildade för korrekt användning av den. Denna manual kan ingå i utbildningsprogram för anställda och/eller lokala bestämmelser. Det är de som använder och installerar denna utrustning som ansvarar för att säkerställa att de är förtrogna med dessa anvisningar, utbildade för korrekt skötsel och användning av denna utrustning samt medvetna om driftsegenskaperna, tillämpningsbegränsningar och konsekvenserna av felaktig användning av denna utrustning.
- 1.6 RÄDDNINGSPLAN:** Vid användning av dävertstativet med förankrad fallskyddsutrustning skall arbetsgivaren ha en räddningsplan och hjälpmedel tillgängliga för genomförande och kommunikering av planen till användarna. Ett utbildat räddningsteam på plats rekommenderas. Teamets medlemmar ska föras med utrustning och metoder för att utföra en framgångsrik räddningsoperation. Regelbunden utbildning ska tillhandahållas för att säkerställa räddningspersonalens kompetens.
- 1.7 BESIKTNINGSINTERVALL:** Dävertstativet skall besiktas av användaren före varje användning och dessutom av en kompetent person, annan än användaren, minst en gång per år.<sup>3</sup> Besiktningrutinerna beskrivs i "Besiktning- och underhållslogg". Resultatet av varje kompetent persons besiktning ska registreras på kopior av "Besiktning- och underhållsloggen".

## 2.0 SYSTEMKRAV

- 2.1 FÖRANKRING OCH FÄSTELEMENT:** Alla strukturer och infästningar (fästelement om tillämpligt) som används för att fästa dävertstativet skall uppfylla monteringskraven i tabell 1.
- 2.1 KOMPONENTERS KOMPATIBILITET:** Utrustning från 3M är endast avsedd att användas med 3M-godkända komponenter och undersystem. Ersättning eller utbyte mot icke godkända komponenter eller undersystem kan äventyra utrustningens kompatibilitet och även påverka hela systemets säkerhet och tillförlitlighet.
- 2.2 PERSONLIGT FALLSKYDDSSYSTEM:** Personliga fallskyddssystem (PFAS), som används tillsammans med denna utrustning, måste uppfylla tillämpliga standarder och anvisningar. PFAS-system med helkroppssle skall användas, som begränsar den maximala stoppkraften till följande värden:

	Högsta tillåtna stoppkraft	Fritt fall
PFAS med stötdämpande lina	6 kN (1 350 lb)	Se instruktionerna som medföljer livlinan eller SRD-blocket angående begränsningar för fritt fall.
PFAS med självindragande lina (SRL-block)	6 kN (1 350 lb)	

- 2.3 FAROR:** Vid användning av utrustningen på platser med miljöfaror kan ytterligare försiktighetsåtgärder krävas för att undvika att användare eller utrustning skadas. Se instruktioner för 3M dävertmast angående specifika risker som kan påverka användningen av systemet.

**1 Kompetent person:** En person som kan identifiera befintliga och förutsägbara risker i omgivningarna, eller arbetsförhållanden som är hälsovådliga, riskfyllda eller farliga för anställda och som har behörighet att vidta omedelbara korrigerande åtgärder för att eliminera dessa.

**2 Kvalificerad person:** Det ska vara en person med intygat erkänd professionell nivå och omfattande erfarenhet av fallskydd. Denna person måste vara väl insatt i konstruktion, analys, utvärdering och specifikation av fallskydd.

**3 Besiktningintervall:** Extrema arbetsförhållanden (hård miljö, lång tids användning m.m.) kan kräva tätare besiktningar av kompetent person.

### 3.0 INSTALLATION

**3.1 PLANERING:** Gör en plan för fallskyddssystemet före montering av motviktsvagnen. Ta hänsyn till alla faktorer som kan påverka säkerheten före, under och efter ett fall. Ta hänsyn till alla krav som anges i avsnitt 2 och Tabell 1 vid bestämmande av lämpligt fordon och placering av motviktsvagnen.

**3.2 MONTERING OCH INSTÄLLNINGAR:** Se figur 4.

1. Placera vagnen på en horisontell yta. Kontrollera vagnens horisontella avvägning med libellerna på vagnen.
2. Sätt i förlängarna i förlängarurtagen på varje sida. Lås med sprintar och dra åt trekantskruven.
3. Sätt i mittsektionen i fotförlängaren och lås med sprint.
4. Sätt i båda benmontagen i mittsektionen och lås med sprintar.
5. Justera fotförlängarnas längd genom att ta bort låssprintarna och lossa trekantskruven moturs.
6. Förläng fotens främre sektion utåt, bort från vagnen.
7. Sätt i låssprinten och dra åt trekantskruven medurs.
8. Avväg systemet horisontellt med de justerbara fötterna på benmontaget så att libellögat är centrerat.
9. Lägg till lämpligt antal viktplåtar på vagnen efter hur HC-däverten ska användas. Se Figur 1.
10. Skjut låskragen mot viktplåtarna på viktställets fyra sidor och dra åt med en sexkantsnyckel så att plåtarna ligger stadigt. Se Figur 5.
11. Sätt i låssprinten i viktstället. Se Figur 5.

*Lyftöglorna är endast avsedda för lyft, inte för fallskydd.*

### 4.0 ANVÄNDNING

**4.1 FÖRE VARJE ANVÄNDNING:** Kontrollera att arbetsområdet och det personliga fallskyddssystemet (PFAS) uppfyller alla villkor som definieras i Avsnitt 2 och att en formell räddningsplan har upprättats. Kontrollera motviktsvagnen enligt "Användarens kontrollpunkter" som finns i "Besiktning- och underhållslogg" (Tabell 2). Använd inte systemet om ett osäkert eller defekt tillstånd upptäcks vid besiktning. Ta systemet ur bruk och förstör det eller kontakta 3M för utbyte eller reparation.

**4.2 VID ANVÄNDNING:**

*Styrhjulet skall vara låst.*

*Koppla i båda lyftöglorna vid lyft av vagnen.*

*Under användning och transport måste låskrage och sprint sitta på plats och i ingrepp när vikterna har placerats på ställen på alla fyra sidorna. Se Figur 5.*

**4.3 TRANSPORT/EFTER ANVÄNDNING:**

*Delarna skall vara packade på vagnen under transport. Se figur 7.*

*Truckgaffelurtag.*

*På vagnen sitter lyftöglor som skall användas vid lyft med kran. Lyftanordningen skall kopplas i båda lyftöglorna på vagnen.*

### 5.0 BESIKTNING

**5.1 BESIKTNINGSINTERVALL:** Motviktsvagnen skall besiktas med de intervall som anges i avsnitt 1. Besiktningens procedurer beskrivs i "Besiktning- och underhållslogg" 2. Kontrollera alla andra komponenter i fallskyddssystemet med de intervall och enligt procedurer som anges i tillverkarens instruktioner.

**5.2 DEFEKTER:** Ta omgående motviktsvagnen ur bruk och kontakta 3M för utbyte eller reparation om osäkra eller defekta tillstånd upptäcks vid besiktning. Gör inga försök att reparera fallskyddssystemet.

**Får endast repareras av auktoriserad verkstad:** Endast 3M eller skriftligen auktoriserade parter får utföra reparationer på utrustningen.

**5.3 PRODUKTLIVSLÄNGD:** Fallskyddssystemets livslängd avgörs av arbetsförhållanden och underhåll. Det får användas så länge det uppfyller besiktningsskraven.












## 6.0 UNDERHÅLL, SERVICE OCH FÖRVARING

- 6.1 RENGÖRING:** Rengör regelbundet motviktsvagnens metallkomponenter med en mjuk borste, varmt vatten och mild tvållösning. Se till att delarna sköljs grundligt med rent vatten.
- 6.2 SERVICE:** Endast 3M eller parter med skriftligt godkännande från 3M får reparera utrustningen. Om dävertfoten har utsatts för fallstoppkraft eller om osäkra eller defekta tillstånd upptäckts vid besiktning ska systemet tas ur bruk och 3M kontaktas för utbyte eller reparation.
- 6.3 FÖRVARING OCH TRANSPORT:** Förvara motviktsvagnen och tillhörandefallskyddsutrustning som inte används på sval, torr och ren plats skyddad mot direkt solljus. Undvik platser där det kan finnas kemiska ångor. Kontrollera komponenterna noggrant efter längre tids förvaring.

## 7.0 ETIKETTER

Figur 8 visar vilka etiketter som finns på motviktsvagnen. Etiketter som inte är helt läsliga skall bytas ut. Följande information finns på etiketterna:

	Läs alla instruktioner.
	Intyg för EU-standarder
	Uppfyller provningskrav enligt EN 1496:2012
	Specifikation av motviktsvagn och plåtar
	Intyg för AS/NZS-standarder
	A) Tillverkad (år, månad) B) Modellnummer C) Serienummer
	Vagnens och plåtarnas vikt
	Varning: endast för lyft
	A) Största utliggning för dävertarm B) Kapacitet för materialhantering högst 205 kg (452 lb) C) Högsta tillåtna stoppkraft för personligt fallskyddssystem (PFAS) $\leq 6$ kN (1 350 lb)

**Tabell 3: Besiktnings- och underhållslogg**

Besiktningsdatum:		Besiktning utförd av:	
Komponenter:	Besiktning: (Se avsnitt 1 angående besiktningsintervall)	Användare	Kompetent person <sup>1</sup>
Motviktsvagn (Figur 1)	Kontrollera motviktsvagnen med avseende på sprickor, hack och deformation.	<input type="checkbox"/>	<input type="checkbox"/>
	Kontrollera hela enheten med avseende på korrosion.	<input type="checkbox"/>	<input type="checkbox"/>
Etiketter (Figur 8 och 9)	Kontrollera att alla etiketter sitter säkert fast och är läsbara (se "Etiketter").	<input type="checkbox"/>	<input type="checkbox"/>
PFAS och övrig utrustning	Annan utrustning i personligt fallskyddssystem (PFAS) (sele, SRL-block osv.) som används tillsammans med väggmonterad däckfot skall installeras och besiktas enligt tillverkarens anvisningar.	<input type="checkbox"/>	<input type="checkbox"/>
Serienummer:		Inköpsdatum:	
Modellnummer:		Datum för första användning:	
Korrigerande åtgärd/underhåll:		Godkänt av:	
		Datum:	
Korrigerande åtgärd/underhåll:		Godkänt av:	
		Datum:	
Korrigerande åtgärd/underhåll:		Godkänt av:	
		Datum:	
Korrigerande åtgärd/underhåll:		Godkänt av:	
		Datum:	
Korrigerande åtgärd/underhåll:		Godkänt av:	
		Datum:	
Korrigerande åtgärd/underhåll:		Godkänt av:	
		Datum:	
Korrigerande åtgärd/underhåll:		Godkänt av:	
		Datum:	
Korrigerande åtgärd/underhåll:		Godkänt av:	
		Datum:	
Korrigerande åtgärd/underhåll:		Godkänt av:	
		Datum:	
Korrigerande åtgärd/underhåll:		Godkänt av:	
		Datum:	
Korrigerande åtgärd/underhåll:		Godkänt av:	
		Datum:	
Korrigerande åtgärd/underhåll:		Godkänt av:	
		Datum:	

**1 Kompetent person:** En person som kan identifiera befintliga och förutsägbara risker i omgivningen och hälsovärdiga, riskfyllda eller farliga arbetsförhållanden för anställda och som har befogenhet att vidta omedelbara korrigerande åtgärder för att eliminera sådana risker och förhållanden.

# GÜVENLİK BİLGİLERİ

**Bu Sınırlandırılmış Alan Girişi/Kurtarma Cihazını kullanmadan önce bu talimatlardaki tüm güvenlik bilgilerini okuyun, anlayın ve izleyin. BUNUN YAPILMAMASI AĞIR YARALANMAYA VEYA ÖLÜME YOL AÇABİLİR.**

**Bu talimatlar, bu ekipmanın kullanıcılarına verilmelidir. Bu talimatları ileride kullanmak üzere saklayın.**

## Kullanım Amacı:

Sınırlandırılmış Alan Girişi/Kurtarma Cihazı, düşmeye karşı komple bir kişisel koruma veya kurtarma sisteminin parçası olarak kullanılmak içindir.

Bunlarla sınırlı olmaksızın onaylanmamış malzeme elleçleme uygulamaları, eğlence veya spor ile ilgili faaliyetler veya Kullanıcı Talimatları veya Kurulum Talimatlarında açıklanmamış diğer faaliyetler dâhil olmak üzere başka bir uygulamada kullanılması 3M tarafından onaylanmamaktadır ve ağır yaralanmaya veya ölüme yol açabilir.

Bu cihaz yalnızca iş yeri uygulamalarında eğitim almış kullanıcılar tarafından kullanıma yöneliktir.

## UYARI

Sınırlandırılmış Alan Girişi/Kurtarma Cihazı, düşmeye karşı kişisel koruma veya kurtarma sisteminin bir parçasıdır. Tüm kullanıcıların tam sistemin güvenli şekilde takılması ve kullanılması konusunda eksiksiz olarak eğitim almış olmaları beklenir. **Ürün sınırlamalarına uyulmaması ağır yaralanmaya veya ölüme yol açabilir.** Doğru şekilde seçmek, çalıştırmak, takmak ve bakımını ve servisini yapmak için tüm Ürün Talimatlarına ve tüm üretici tavsiyelerine bakın, amirinize sorun veya 3M Teknik Servisine danışın.

- **Sakınılmadığı takdirde ağır yaralanmaya veya ölüme yol açabilecek olan bir Sınırlandırılmış Alan Girişi/Kurtarma Cihazı ile çalışmanın risklerini azaltmak için:**
  - Her bir kullanımdan önce, yılda en az bir kez ve bir düşme vakasından sonra cihazı kontrol edin. Kullanım Talimatlarına uygun şekilde kontrol edin.
  - İncelemede güvenli olmayan veya kusurlu bir durumun ortaya çıkması halinde cihazı hizmet dışına çıkarın ve Kullanım Talimatlarına göre tamir edin veya değiştirin.
  - Herhangi bir düşme engelleme işlemi yapan veya darbe kuvvetine maruz kalan cihaz, hemen hizmet dışına çıkarılmalıdır. Kullanıcı Talimatlarına başvurun veya 3M Fall Protection ile iletişime geçin.
  - Cihaz yalnızca Kurulum Talimatları veya Kullanıcı Talimatlarında açıklanan şekilde takılmalıdır. Talimat kapsamı dışında kurulumlar ve kullanımlar 3M Fall Protection tarafından onaylanmalıdır.
  - Cihazın bağlandığı alt tabaka veya yapı, Kullanıcı Talimatlarında veya Kurulum Talimatlarında izin verilen yönlendirmelerdeki cihaz için belirtilen statik yüklere dayanabilmelidir.
  - İzin verilen kullanıcı sayısını geçmeyin.
  - Hiçbir zaman askıdaki bir yükün veya işçinin altında çalışmayın.
  - Cihazı takarken, kullanırken ve hareket ettirirken dikkatli olun zira hareketli parçalar potansiyel sıkışma noktaları oluşturabilir. Kullanıcı Talimatlarına başvurun.
  - Geçerli olan uygun kilitleme/etiketleme prosedürlerinin takip edildiğinden emin olun.
  - Bir sisteme konumlandırılana, tam olarak monte edilene, ayarlanana ve kurulana kadar kesinlikle bağlantı yapmayın. Sistemde bir kullanıcı bağlı iken ayarlama yapmayın.
  - Düşme koruma alt sistemlerini yalnızca cihazın üzerindeki belirlenmiş ankraj bağlantı noktasına bağlayın.
  - Matkapla veya bağlama işleminden önce elektrik hatlarının, gaz hatlarının veya diğer kritik gömülü sistemlerin matkap ucuyla veya cihazla temas etmeyeceğinden emin olun.
  - Farklı üreticiler tarafından üretilmiş bileşenler kullanılarak monte edilmiş düşmeye karşı koruma sistemlerinin/alt sistemlerinin uyumlu olduğunu ve ANSI Z359 veya geçerli diğer düşmeye karşı koruma yasaları, standartları veya gereklilikleri dâhil olmak üzere geçerli standartların koşullarını sağladığını teyit edin. Bu sistemleri kullanmadan önce Yetkin ve/veya Nitelikli bir Kişiye danışın.
- **Sakınılmadığı takdirde ağır yaralanmaya veya ölüme yol açabilecek olan yüksekte çalışma ile ilgili riskleri azaltmak için:**
  - Sağlığınızın ve fiziksel durumunuzun yüksekte çalışma ile ilişkili tüm kuvvetlere güvenli şekilde dayanmanıza olanak vermesine dikkat edin. Bu ekipmanı kullanma yeteneğiniz ile ilgili sorularınız olduğu takdirde doktorunuza danışın.
  - Düşmeye karşı koruma donanımınızın izin verilen kapasitesini asla aşmayın.
  - Düşmeye karşı koruma donanımınızın maksimum serbest düşme mesafesini asla aşmayın.
  - Kullanım öncesi incelemeyi veya diğer programlı muayeneleri geçemeyen veya donanımın sizin uygulamanızdaki kullanımı veya uygunluğu bakımından endişeleriniz olduğu zaman hiç bir düşmeye karşı koruma donanımını kullanmayın. Tüm sorularınız için 3M Teknik Servisine danışın.
  - Bazı alt sistem ve bileşen kombinasyonları bu ekipmanın çalışmasına engel olabilir. Yalnızca uyumlu bağlantılar kullanın. Bu ekipmanı Kullanma Talimatlarında belirtilenler dışında bileşenler veya alt sistemler ile birlikte kullanmadan önce 3M'ye danışın.
  - Hareketli makineler (örneğin petrol kulelerinin üst sürücü mekanizması), elektrik tehlikeleri, aşırı sıcaklıklar, kimyasal tehlikeler, patlayıcı veya zehirli gazlar, keskin kenarlar çevresinde veya sizin veya düşmeye karşı koruma ekipmanının üzerine düşebilecek baş üstü malzemelerin altında çalışırken ilave önlemlere başvurun.
  - Yüksek ısı ortamlarında çalışırken Ark Parlama veya Sıcak Çalışma cihazları kullanın.
  - Kullanıcıya veya donanıma zarar verebilecek yüzeylerden ve nesnelere sakının.
  - Yüksekte çalışırken yeterli düşme boşluğunun bulunmasına dikkat edin.
  - Düşmeye karşı koruma donanımınızda asla tadilat veya değişiklik yapmayın. Bu ekipmanı yalnızca 3M veya 3M tarafından yazılı olarak yetki verilmiş taraflar tamir edebilir.
  - Düşmeye karşı koruma donanımını kullanmadan önce, bir düşme kazası olması durumunda, hemen kurtarma işlemi yapmaya olanak veren bir kurtarma planının bulunduğunu kontrol edin.
  - Bir düşme olayı durumunda, düşen işçi için hemen tıbbi yardım isteyin.
  - Düşmeyi engelleme uygulamaları için bir vücut kemeri kullanmayın. Sadece Tam Vücut Kemeri kullanın.
  - Ankraj noktasının mümkün olduğunca doğrudan altında çalışmak suretiyle sallanarak düşmeleri asgari düzeye indirin.
  - Bu cihaz için eğitim yaparken, eğitim alan kişinin amaçlanmamış şekilde düşme tehlikesine maruz kalmayacağı şekilde ikincil bir düşmeye karşı koruma sistemi kullanılmalıdır.
  - Cihazı/sistemi takarken, kullanırken veya muayene ederken daima uygun kişisel koruyucu donanım kullanın.

Bu ekipmanın kurulumu ve kullanımından önce, kimlik etiketindeki ürün tanımlama bilgilerini bu kılavuzun arka kısmındaki Muayene ve Bakım Günlüğüne (Tablo 2) kaydedin.

## ÜRÜN AÇIKLAMASI:

Şekil 1'de 3M™ DBI-SALA® Sınırlandırılmış Alan Giriş/Kurtarma Karşı Ağırlık Arabası gösterilmektedir. Sınırlandırılmış Alan Karşı Ağırlık Arabası, uyumlu 3M DBI-SALA Sınırlandırılmış Alan Giriş/Kurtarma Ayarlanabilir Denge Ağırlıklı Mataforaların mastı ile kullanım için ayarlanabilecek taşınabilir bir sistem olarak tasarlanmıştır. Sistem, arabanın ağırlık rafları üzerine düşme önleme ve kurtarma sistemi için karşı ağırlık olarak kullanılmak üzere yerleştirilmiş 20 kg'lık ağırlık plakalarını kullanır.

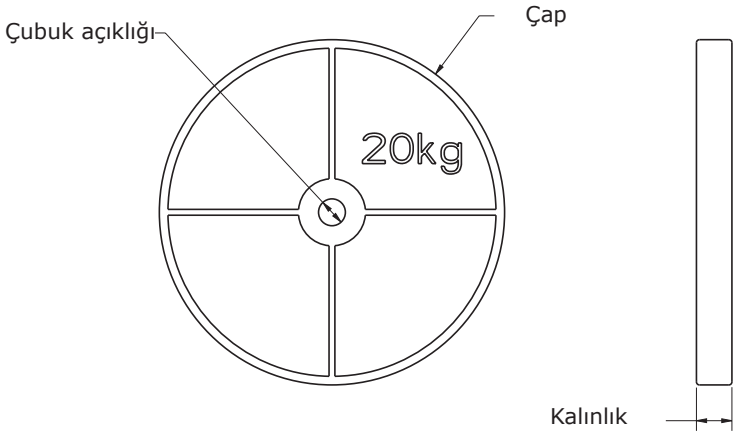
Şekil 2'de, Tablo 1'de belirtilen Karşı Ağırlık Arabasının bileşenleri gösterilmiştir.

**Tablo 1 – Teknik Özellikler**

Bileşen Teknik Özellikleri:		
Şekil 2 Referansı	Bileşen	Malzemeler
(A)	Bacak Grubu	Alüminyum - Toz kaplı Karbon çeliği - çinko kaplı
(B)	Merkez Bölümü	Alüminyum - Toz kaplı Yüksek Yoğunlukta polietilen
(C)	Taban Uzantısı	Alüminyum - Toz kaplı Karbon çeliği - çinko kaplı
(D)	Çatal Cepleri	Karbon çeliği - Toz kaplı
(E)	Uzatma Cebi	Alüminyum - Toz kaplı
(F)	Araba Grubu	Karbon çeliği - Toz kaplı
(G)	İtme Kolu	Vinil
(H)	Ağırlık Plakası Kilit Pimi	Karbon çeliği - Toz kaplı
(I)	Kilit Manşonu	Karbon Çeliği - Toz kaplı
(J)	Ağırlık Rafı	Karbon Çeliği - Toz kaplı
(K)	<b>8000123</b> - 20 kg'lık Ağırlık Plakası (Ayrıca satılır)	Karbon Çeliği - Toz kaplı

Kendi ağırlık plakaları ile birlikte temin edilirse aşağıdaki teknik özellikleri karşılar. Bunun yapılmaması ağır yaralanmaya veya ölüme yol açabilir.

### Ağırlık Plakası Teknik Özellikleri:

Ağırlık	20 kg (45 lbs)	
Çubuk açıklığı	25,4 mm (1") - 38,1 mm (1,25")	
Kalınlık	Maksimum 36,5 mm (1,44")	
Çap	Maksimum 457,2 mm (18")	

**Tablo 1 – Teknik Özellikler**

<b>Sistemin Teknik Özellikleri</b>	
<b>Çalışma Bölgesi</b>	Bacakların önünde düşme önleme ve kurtarma için sınıflandırılmıştır. Şekil 6'ya bakın.
<b>Uyumluluk</b>	Bu talimatlar kapsamındaki Matafora Tabanları, 3M™ DBI-SALA® Yüksek Kapasiteli (HC) Kısa ve Uzun Matafora Sistemleri ile uyumludur. Şekil 1'deki ağırlık plakalarından uygun miktarda gerekir.
<b>Sistemin Ağırlığı</b>	Plakalarla: (20x)-606 kg (1336 lbs). (36x)-925 kg (2039 lbs).
	Plakalar olmadan: 206 kg (455 lbs)
<b>Ebat</b>	Karşı Ağırlık Arabasının ebatları için Şekil 3'e bakın.
<b>Ağırlık Kapasiteleri:</b>	
<b>Malzeme Taşıma Kapasitesi</b>	205 kg (452 lbs)

## 1.0 ÜRÜN UYGULAMASI

- 1.1 AMAÇ:** Matafora Taban, uyumlu 3M Matafora Sistemleri için tasarlanmış montaj noktasıdır. Sistem kullanımı ve işlevi için ilgili Matafora Sistemi talimatına bakın.
- 1.2 STANDARTLAR:** Bu Matafora Tabanı, bu talimatların ön kapağında belirtilen ulusal veya bölgesel standart(lar)a uymaktadır. Bu ürünün orijinal varış ülkesi dışında yeniden satılması durumunda, satıcı bu talimatları ürünün kullanılacağı ülkenin dilinde temin etmelidir.
- 1.3 KURULUM VE GÖZETİM:** Matafora Tabanının kurulumu, Yetkili bir Kişinin gözetiminde olmalıdır<sup>1</sup>. Ehliyetli bir Kişi<sup>2</sup> yapısal kurulumun yerel ve federal düzenlemeleri karşıladığını doğrulamalıdır. Ehliyetli bir Kişi, uygun sabitleme elemanı ve uygun Matafora Tabanı yerleştirmesini önermelidir. Matafora ve takılan Düşme Koruması donanımının kullanımı, Yetkili bir Kişinin gözetiminde olmalıdır.
- 1.4 SAHA DOKÜMANTASYONU:** Matafora Tabanının montaj ve kurulumundan sonra, EN795 Ek A'nın bilgilendirme gerekliliklerini karşılayan "Kurulum Dokümantasyonu"nun kurucu tarafından tamamlanması ve kullanıcının yetkili temsilcisine teslim edilmesi gerekir. Kurulum Dokümantasyonu, daha sonraki muayeneler için çalışma sahasında tutulmalıdır.
- 1.5 EĞİTİM:** Bu ekipmanın, doğru uygulama konusunda eğitimli kişilerce kurulması ve kullanılması gerekmektedir. Bu kılavuz, çalışan eğitim programı ve/veya bölgesel düzenlemelerin bir parçası olarak kullanılabilir. Bu talimatlar hakkında bilgi sahibi olmak, ekipmanın doğru bakım ve kullanımına ilişkin eğitimli olmak ve işletim özellikleri, uygulama sınırlamaları ve bu ekipmanın hatalı kullanımından doğan sonuçların farkında olmak, bu ekipmanın kullanıcıları ve kurucularının sorumluluğundadır.
- 1.6 KURTARMA PLANI:** Matafora ve bağlı Düşme Koruması ekipmanını kullanırken, işverenin bir kurtarma planı ve bunu uygulayacak gereçleri olmalıdır ve söz konusu planı kullanıcılara iletmelidir. Eğitimli, sahada hazır bekleyen bir kurtarma ekibi önerilir. Ekip üyelerine, başarılı bir kurtarma işlemi gerçekleştirmek için gereken ekipmanlar ve teknikler sağlanmalıdır. Kurtarma yeterliliğinden emin olmak için eğitim düzenli olarak sağlanmalıdır.
- 1.7 MUAYENE SIKLIĞI:** Matafora Tabanı, Kullanıcı tarafından her kullanımdan önce ve ek olarak kullanıcı dışında Yetkili bir Kişi tarafından yılda birden fazla olmayan aralıklarla incelenmesi gereklidir.<sup>3</sup> Muayene prosedürleri, "Muayene ve Bakım Günlüğü"nde açıklanmıştır. Her Yetkili Kişi muayenesinin sonuçları, "Muayene ve Bakım Günlüğü'nün" kopyalarına kaydedilmelidir.

## 2.0 SİSTEM GEREKLİLİKLERİ

- 2.1 ANKRAJ VE SABİTLEME ELEMANLARI:** Matafora Tabanına takılacak tüm yapı ve bağlantı elemanları (bağlantı elemanı varsa), Tablo 1'de tanımlanan "Montaj Gereklilikleri"ni karşılamalıdır.
- 2.1 BİLEŞEN UYUMLULUĞU:** 3M ekipmanı, sadece 3M onaylı diğer bileşenler ve alt sistemlerle birlikte kullanım için tasarlanmıştır. Onaylanmamış bileşenler veya alt sistemlerle yapılan değiştirmeler ekipmanın uyumluluğunu riske atabilir ve komple sistemin güvenliği ve güvenilirliğini etkileyebilir.
- 2.2 KİŞİSEL DÜŞME ÖNLEME SİSTEMİ:** Sistemle kullanılan Kişisel Düşme Önleme Sistemleri (PFAS), yürürlükteki Düşme Koruması standartları, kanunları ve gereklilikleriyle uyumlu olmalıdır. PFAS, Tam Vücut Kemerini kullanmalı ve Önleme Kuvvetini aşağıdaki değerlerle sınırlandırmalıdır:

	Maksimum Önleme Kuvveti	Serbest Düşme
Darbe Emici Güvenlik Halatına sahip PFAS	6 kN (1.350 lb)	Güvenlik Halatınıza veya Serbest Düşme kısıtlamaları için SRD ile dahil edilen talimatlara bakın.
Kendinden Geri Çekmeli Cihaza sahip PFAS (SRD)	6 kN (1.350 lb)	

- 2.3 TEHLİKELER:** Bu ekipman çevresel tehlikelerin bulunduğu alanlarda kullanılırken kullanıcının yaralanması veya ekipmanın zarar görmesini engellemek için ek önlemler alınmalıdır. Sistem kullanımını etkileyebilecek özel tehlikeler için 3M matafora mast talimatlarına bakın.

<sup>1</sup> **Yetkin Kişi:** Çevrede veya çalışma koşullarında çalışanlar için sağlıklı, tehlikeli veya riskli olan mevcut veya öngörülebilir tehlikeleri belirleyebilen ve bunları ortadan kaldırmak üzere acil düzeltici önlemler alma yetkisi bulunan kişi.

<sup>2</sup> **Ehliyetli Kişi:** Düşme Koruması ile ilgili geçerli bir derecesi veya mesleki belgesi olan bir birey. Bu bireyin Düşme Koruması tasarlama, analiz etme, değerlendirme ve özelliklerini belirleme niteliklerine sahip olması gerekir.

<sup>3</sup> **Muayene Sıklığı:** Aşırı çalışma koşulları (sert çevre şartları, uzun süreli kullanım vb.) yetkili kişi muayenelerinin sıklığının artırılmasını gerektirebilir.

### 3.0 MONTAJ

**3.1 PLANLAMA:** Karşı Ağırlık Arabasını takmadan önce düşme koruma sisteminizi planlayın. Düşüş öncesi, sırası ve sonrasında güvenliğinizi etkileyecek tüm faktörleri dikkate alın. Doğru aracı belirlemek ve Karşı Ağırlık Arabasını doğru şekilde yerleştirmek için Bölüm 2 ve Tablo 1'de tanımlanan tüm gereklilikleri göz önünde bulundurun.

**3.2 MONTAJ VE KURULUM:** Şekil 4'e bakın.

1. Arabayı düz bir yüzeye yerleştirin. Arabanın üzerindeki su terazisini kontrol edin ve su kabarcığının ortada olduğundan emin olun.
2. Taban Uzantısını Uzatma Cebinin bir tarafına geçirin; yerine sabitleyin ve üçlü vidayı sıkın.
3. Merkez Bölümü Taban Uzantısına geçirin ve yerine sabitleyin.
4. Her iki Bacak Grubunu Merkez Bölümüne geçirin ve yerine sabitleyin.
5. Taban Uzantısının uzunluğunu ayarlamak için kilit pimini çıkarın ve üçlü vidayı saat yönünün tersine döndürerek gevşetin.
6. Tabanın ön bölümünü arabadan dışarı doğru uzatın.
7. Kilit Pimini takın ve üçlü vidayı saat yönünde döndürerek geri sıkın.
8. Bacak Gruplarının üzerindeki dengeleme ayaklarını ayarlayarak su terazisindeki su kabarcığı tam ortada olana kadar sistemin dengesini ayarlayın.
9. HC Mataforanın kullanım amacına göre arabaya uygun miktarda ağırlık plakası ekleyin. Şekil 1'e bakın.
10. Kilit Manşonunu Ağırlık Rafının 4 tarafındaki ağırlık plakalarına karşı kaydırın ve plakaların hareket etmesini önlemek için altıgen anahtar kullanarak sıkın. Şekil 5'e bakın.
11. Kilit pimini Ağırlık Rafına geçirin. Şekil 5'e bakın.

*Kaldırma halkaları düşmeyi önlemek için değil yalnızca yüksekte kaldırma için kullanılır.*

### 4.0 KULLANIM

**4.1 HER KULLANIMDAN ÖNCE:** Çalışma alanınızın ve Kişisel Düşme Önleme Sisteminizin (PFAS) Bölüm 2'de tanımlanan tüm kriterleri karşıladığından ve resmi bir Kurtarma Planının bulunduğundan emin olun. Karşı Ağırlık Arabasını "Muayene ve Bakım Günlüğü" (tablo 2) de belirtilen 'Kullanıcı' muayene hususları uyarınca inceleyin. Muayenede güvenli olmayan veya kusurlu bir durum tespit edildiği takdirde sistemi kullanmayın. Sistemi hizmet dışına alıp imha edin veya değiştirilmesi ya da onarılması için 3M ile iletişime geçin.

**4.2 KULLANIM SIRASINDA:**

*Araba Tekerleği kilitlenmelidir.*

*Arabayı kaldırırken her iki halkayı da bağlayın.*

*Kullanım ve taşıma sırasında 4 tarafa da ağırlıklar yerleştirildikten sonra manşon şaftı ve dingil pimi bağlanmalı ve geçirilmelidir. Şekil 5'e bakın.*

**4.3 TAŞIMA/KULLANIM SONRASI:**

*Taşıma sırasında parçalar arabaya istiflenmelidir. Şekil 7'ye bakın.*

*Forklift Ceplerini dahil edin.*

*Araba, tepe vinçleri ile kullanılacak kaldırma halkaları içerir. Kaldırma cihazı arabanın üzerindeki her iki kaldırma halkasına da bağlanmalıdır.*

### 5.0 MUAYENE

**5.1 MUAYENE SIKLIĞI:** Karşı Ağırlık Arabası, Bölüm 1'de tanımlanan aralıklarla kontrol edilmelidir. Muayene prosedürleri 'Muayene ve Bakım Günlüğü 2'de' açıklanmıştır Düşme Koruma Sisteminin tüm diğer bileşenlerini, üreticinin talimatlarında belirtilen sıklıklar ve prosedürler doğrultusunda muayene edin.

**5.2 BOZUKLUKLAR:** Muayene sonucunda güvenli olmayan veya kusurlu bir durum tespit edilirse, Karşı Ağırlık Arabasını derhal hizmet dışına alın ve değişim ya da onarım ile ilgili olarak 3M ile iletişime geçin. Düşme Önleme Sistemini onarmaya çalışmayın.

**Yalnızca Yetkili Kişiler Tarafından Onarılmalıdır:** Bu ekipmanda yalnızca 3M veya yazılı olarak yetkilendirilmiş kişiler onarım işlemleri yapabilir.

**5.3 ÜRÜN ÖMRÜ:** Düşme Önleme Sisteminin işlevsel ömrü çalışma koşullarına ve bakıma göre belirlenir. Ürün, muayene ölçütlerini geçtiği sürece kullanımda kalabilir.

## **6.0 BAKIM, SERVİS, SAKLAMA**


**6.1 TEMİZLİK:** Karşı Ağırlık Arabasının metal bileşenlerini yumuşak bir fırça, ılık su ve hafif sabun çözeltisi kullanarak periyodik olarak temizleyin. Parçaların temiz suyla iyice durulandıktan emin olun.

**6.2 SERVİS:** Bu ekipmanda yalnızca 3M veya 3M tarafından yazılı olarak yetkilendirilmiş şahıslar onarım işlemleri yapabilir. Matafora Tabanı düşme kuvvetine maruz kalırsa veya muayene sonucunda güvenli olmayan ya da kusurlu durumlar tespit edilirse sistemi hizmetten çıkarın ve değiştirme ya da onarım için 3M ile iletişime geçin.

**6.3 SAKLAMA VE TAŞIMA:** Kullanımda değilken, Karşı Ağırlık Arabasını ve ilişkili düşme koruma ekipmanını serin, kuru, temiz bir ortamda, doğrudan güneş ışığından uzakta saklayın ve taşıyın. Kimyasal buharların bulunabileceği alanlardan uzak durun. Uzun süreli saklama sonrasında bileşenleri kapsamlı olarak muayene edin.

## **7.0 ETİKETLER**

Şekil 8'de Karşı Ağırlık Arabasının üzerindeki etiketler gösterilmiştir. Tamamen okunmuyorsa etiketler değiştirilmelidir. Her etikette verilen bilgiler şu şekildedir:

	Tüm talimatları okuyun.
1	CE Standartları Sertifikasyonu
2	EN1496:2012 test gerekliliklerini karşılar
3	Karşı Ağırlık Arabası sisteminin ve plakanın teknik özellikleri
4	AS/NZS Standartları Sertifikasyonu
5	A) Üretim Tarihi (Yıl, Ay) B) Model Numarası C) Seri Numarası
6	Arabanın ağırlığı ve plakanın teknik özellikleri
7	Yalnızca kaldırma uyarısı
8	A) Maksimum Matafora Kolu Ofseti B) 205 kg'lık (452 lbs) materyal taşıma için değerlendirilmiştir C) Kişisel Düşme Önleme Sistemi (PFAS) Maksimum Tutma Kuvveti (MAF) $\leq$ 6 kN (1.350 lbs)



**Tablo 3 – Muayene ve Bakım Günlüğü**

Muayene Tarihi:		Muayene Eden:	
Bileşenler:	Muayene: (Muayene Sıklığı için bkz. Bölüm 1)	Kullanıcı	Yetkili Kişi <sup>1</sup>
Karşı Ağırlık Arabası (Şekil 1)	Karşı Ağırlık Arabasını çatlak, delik veya deformasyon açısından muayene edin.	<input type="checkbox"/>	<input type="checkbox"/>
	Ünitenin tamamını korozyon açısından muayene edin.	<input type="checkbox"/>	<input type="checkbox"/>
Etiketler (Şekil 8 ve 9)	Tüm etiketlerin sabit bir şekilde yapıştırıldığını ve okunur olduğunu onaylayın (bkz. 'Etiketler')	<input type="checkbox"/>	<input type="checkbox"/>
PFAS ve Diğer Donanımlar	Duvara Monteli Matafora Tabanı ile birlikte kullanılan İlave Kişisel Düşme Önleme Sistemi (PFAS) ekipmanı (kemer, SRL vb.) üreticinin talimatlarına göre takılmalı ve kontrol edilmelidir.	<input type="checkbox"/>	<input type="checkbox"/>
<b>Seri Numarası/Numaraları:</b>		<b>Satın Alındığı Tarih:</b>	
<b>Model Numarası:</b>		<b>İlk Kullanım Tarihi:</b>	
<b>Düzeltilici İşlem/Bakım:</b>		Onaylayan:	
		Tarih:	
<b>Düzeltilici İşlem/Bakım:</b>		Onaylayan:	
		Tarih:	
<b>Düzeltilici İşlem/Bakım:</b>		Onaylayan:	
		Tarih:	
<b>Düzeltilici İşlem/Bakım:</b>		Onaylayan:	
		Tarih:	
<b>Düzeltilici İşlem/Bakım:</b>		Onaylayan:	
		Tarih:	
<b>Düzeltilici İşlem/Bakım:</b>		Onaylayan:	
		Tarih:	
<b>Düzeltilici İşlem/Bakım:</b>		Onaylayan:	
		Tarih:	
<b>Düzeltilici İşlem/Bakım:</b>		Onaylayan:	
		Tarih:	
<b>Düzeltilici İşlem/Bakım:</b>		Onaylayan:	
		Tarih:	
<b>Düzeltilici İşlem/Bakım:</b>		Onaylayan:	
		Tarih:	
<b>Düzeltilici İşlem/Bakım:</b>		Onaylayan:	
		Tarih:	
<b>Düzeltilici İşlem/Bakım:</b>		Onaylayan:	
		Tarih:	

**1 Yetkili Kişi:** Çevrede veya çalışma koşullarında çalışanlar için sağlıksız, tehlikeli veya riskli olan mevcut veya öngörülebilir tehlikeleri belirleyebilen ve bunları ortadan kaldırmak üzere acil düzeltici önlemler alma yetkisi bulunan kişi.





## GLOBAL PRODUCT WARRANTY, LIMITED REMEDY AND LIMITATION OF LIABILITY

**WARRANTY:** THE FOLLOWING IS MADE IN LIEU OF ALL WARRANTIES OR CONDITIONS, EXPRESS OR IMPLIED, INCLUDING THE IMPLIED WARRANTIES OR CONDITIONS OF MERCHANTABILITY OR FITNESS FOR A PARTICULAR PURPOSE.

Unless otherwise provided by local laws, 3M fall protection products are warranted against factory defects in workmanship and materials for a period of one year from the date of installation or first use by the original owner.

**LIMITED REMEDY:** Upon written notice to 3M, 3M will repair or replace any product determined by 3M to have a factory defect in workmanship or materials. 3M reserves the right to require product be returned to its facility for evaluation of warranty claims. This warranty does not cover product damage due to wear, abuse, misuse, damage in transit, failure to maintain the product or other damage beyond 3M's control. 3M will be the sole judge of product condition and warranty options.

This warranty applies only to the original purchaser and is the only warranty applicable to 3M's fall protection products. Please contact 3M's customer service department in your region for assistance.

**LIMITATION OF LIABILITY:** TO THE EXTENT PERMITTED BY LOCAL LAWS, 3M IS NOT LIABLE FOR ANY INDIRECT, INCIDENTAL, SPECIAL OR CONSEQUENTIAL DAMAGES INCLUDING, BUT NOT LIMITED TO LOSS OF PROFITS, IN ANY WAY RELATED TO THE PRODUCTS REGARDLESS OF THE LEGAL THEORY ASSERTED.

# 3M



Fall Protection

### USA

3833 SALA Way  
Red Wing, MN 55066-5005  
Toll Free: 800.328.6146  
Phone: 651.388.8282  
Fax: 651.388.5065  
3Mfallprotection@mmm.com

### Brazil

Rua Anne Frank, 2621  
Boqueirão Curitiba PR  
81650-020  
Brazil  
Phone: 0800-942-2300  
falecoma3m@mmm.com

### Mexico

Calle Norte 35, 895-E  
Col. Industrial Vallejo  
C.P. 02300 Azcapotzalco  
Mexico D.F.  
Phone: (55) 57194820  
3msaludocupacional@mmm.com

### Colombia

Compañía Latinoamericana de Seguridad S.A.S.  
Carrera 106 #15-25 Interior 105 Manzana 15  
Zona Franca - Bogotá, Colombia  
Phone: 57 1 6014777  
fallprotection-co@mmm.com

### Canada

260 Export Boulevard  
Mississauga, ON L5S 1Y9  
Phone: 905.795.9333  
Toll-Free: 800.387.7484  
Fax: 888.387.7484  
3Mfallprotection-ca@mmm.com

### EMEA (Europe, Middle East, Africa)

*EMEA Headquarters:*  
Le Broc Center  
Z.I. 1re Avenue - BP15  
06511 Carros Le Broc Cedex  
France  
Phone: + 33 04 97 10 00 10  
Fax: + 33 04 93 08 79 70  
informationfallprotection@mmm.com

### Australia & New Zealand

95 Derby Street  
Silverwater  
Sydney NSW 2128  
Australia  
Phone: +(61) 2 8753 7600  
Toll-Free : 1800 245 002 (AUS)  
Toll-Free : 0800 212 505 (NZ)  
Fax: +(61) 2 8753 7603  
anzfallprotectionsales@mmm.com

### Asia

*Singapore:*  
1 Yishun Avenue 7  
Singapore 768923  
Phone: +65-6450 8888  
Fax: +65-6552 2113  
TotalFallProtection@mmm.com

### Shanghai:

19/F, L'Avenue, No.99 Xian Xia Rd  
Shanghai 200051, P R China  
Phone: +86 21 62539050  
Fax: +86 21 62539060  
3MFallProtection-CN@mmm.com

### Korea:

3M Korea Ltd  
20F, 82, Uisadang-daero,  
Yeongdeungpo-gu, Seoul  
Phone: +82-80-033-4114  
Fax: +82-2-3771-4271  
TotalFallProtection@mmm.com

### Japan:

3M Japan Ltd  
6-7-29, Kitashinagawa, Shinagawa-ku, Tokyo  
Phone: +81-570-011-321  
Fax: +81-3-6409-5818  
psd.jp@mmm.com

WEBSITE:  
[3M.com/FallProtection](http://3M.com/FallProtection)



EU DECLARATION OF CONFORMITY:  
[3M.com/FallProtection/DOC](http://3M.com/FallProtection/DOC)