



Tiger Lifting



www.tigerlifting.com

Tiger

Home of the Tiger hoisting, winching and height safety ranges

Tiger Low Headroom Combination Chain Block & Trolley Model No. LHCG

Main Features

- Very low headroom
- Range from 1.0t to 10.0t
- Ideal for locations where headroom is limited
- Operating temperature of -30°C to +50°C (temperature range of -50°C to +50°C available as an option)
- Can be chained to any height of lift to meet your exact requirements
- Chain carrier available
- Spark Resistant version available
- Available with load limiter
- Available with beam locking device

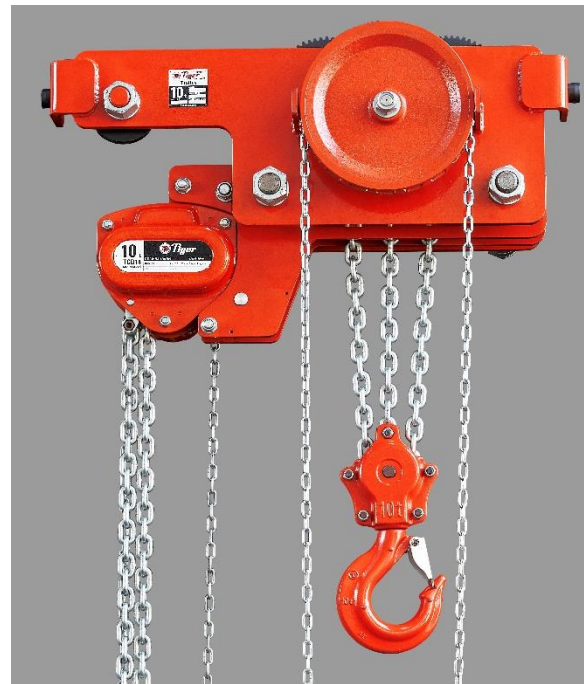


Certification:

Each unit comes fully certified with a test certificate or an EC Declaration of Conformity stating compliance with the essential health and safety requirements of the Machinery Directive 2006/42/EC.



optional locking device and chain carrier



10t combination





Technical Data

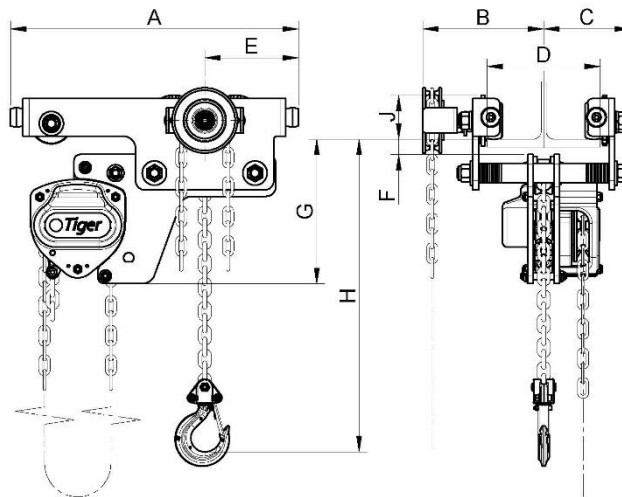
Product Code	Capacity (tonne)	D - Track width		Dimensions (mm)								Net Weight (kg) @ std HOL/range 1
		Range 1 (mm)	Range 2 (mm)	A	B	C	E	F	G	H	J	
LHCG-0100	1.0	62-180	180-310	458	192	138	149	24	230	210	70.5	33.5
LHCG-0200	2.0	88-180	180-310	582	196	146	179	24	299	260	79.5	50.0
LHCG-0300	3.0	88-180	180-310	698	196	153	221	32	341	305	96.5	78.5
LHCG-0600	6.0	106-194	194-260	808	209	164	274	32	344	425	117	108.0
LHCG-1000	10.0	150-320		972	336	263	341	45	364	550	182	239.0

Standard geared trolley hand chain length - 2.5m. We can change the length to suit your requirements.

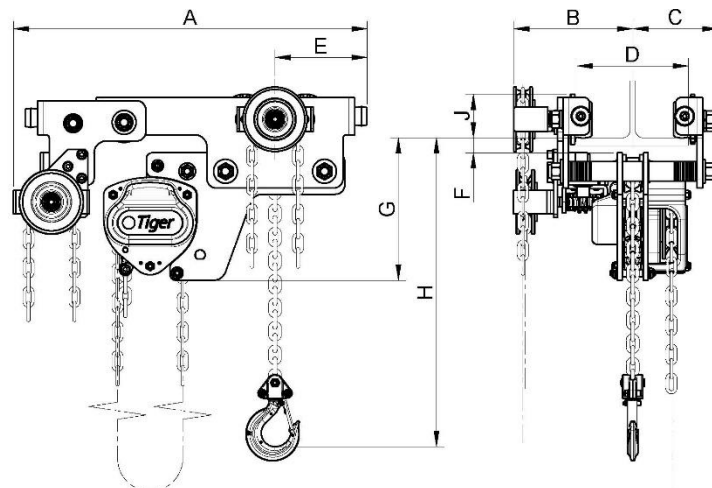
Standard height of lift (HOL) of chain block - 3m. We can change this to suit your requirements.

D is the standard track width range. Please contact us for track widths outside of this range.

F is the maximum beam flange thickness.



LHCG



with locking device - LHCG-K

Due to our policy of continual product development, dimensions, weights and specifications may change without prior notice. Please check with your Tiger sales team when ordering.

