

TECHNICAL DATA SHEET

MEGA SWIVEL ANCHOR

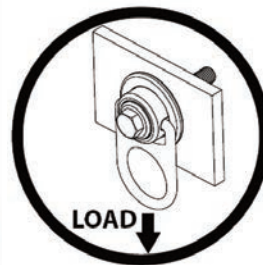
TDS86



Checkmate Mega Swivel Anchor
EN795 man riding anchor. The anchor can swivel 360 degrees and will pivot or 'flip' 180 degrees ensuring attachments do not become entangled or twisted. Designed to be installed in concrete or steel structures. With a variety of installation kits available to suit your particular application.



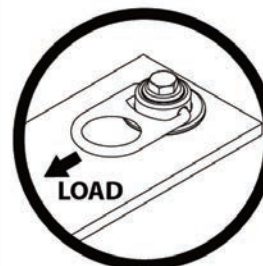
Loading conditions



ACCEPTABLE



ACCEPTABLE



ACCEPTABLE



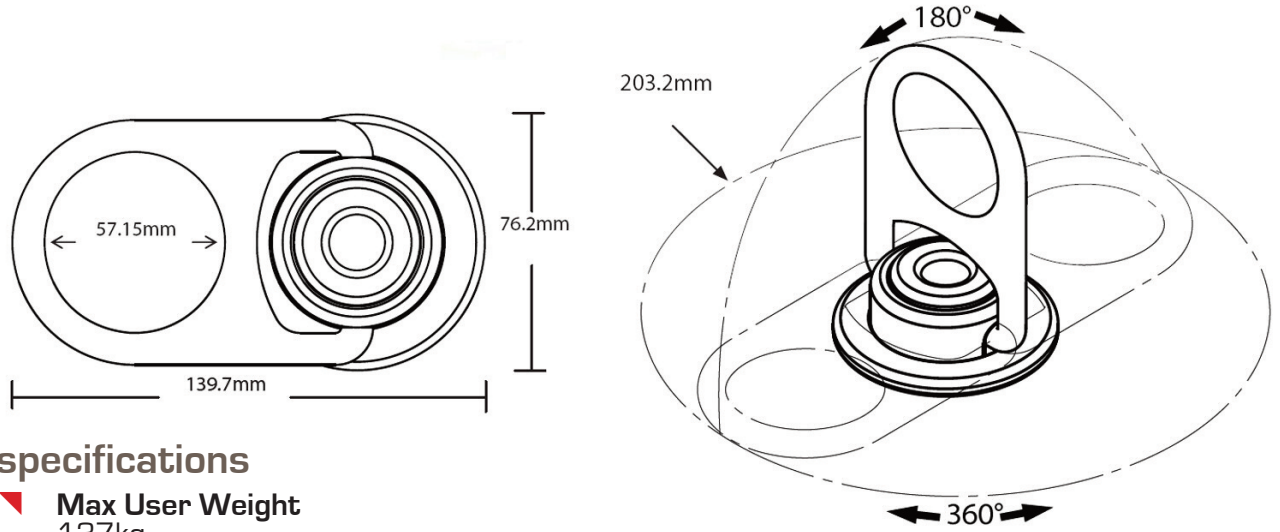
IMPROPER

standards

- ▶ ANSI Z359.1-2007, Z359.7-2011
- ▶ OSHA 1926.502
- ▶ CE 0321
- ▶ EN 795:1996 (+A1:2000) Class B

ordering information

Part No.	Description	Weight
SWY100N	44kN Mega Swivel	725g
SWY100S	44kN Mega Swivel With Steel Bolt Kit	935g
SWY100C	44kN Mega Swivel Concrete Sleeve Bolt Kit	1000g
SWP100N-KIT	Weld Puck Weld On Kit	1103g
SWX100N	Backer Plate (Plate Only)	826g



specifications

- Max User Weight
137kg

principal materials

- Swivel
Zinc Plated Steel



CHECKUSOUT

www.checkmateuk.com

