



Tiger Lifting



www.tigerlifting.com

Tiger

Home of the Tiger hoisting, winching and height safety ranges

Tiger Karabiners and Scaffold Hooks

Model No. TS

Main Features

- Quick and versatile rigging point for personal fall protection equipment
- Part of the Tigersafe range of height safety equipment
- High tensile steel
- CE Certified - CE 0321
- These units meet the requirements within EN 362:2004/B
- TS-507 has UIAA certification
- Scaffold hooks are provided with captive pins to prevent rotation during use



Certification:

Each unit comes fully certified with a test certificate or an EC Declaration of Conformity stating compliance with the essential health and safety requirements of the Machinery Directive 2006/42/EC.

We advise that structural calculations are carried out on all beams and supporting steel work by qualified engineering departments to ensure safe operation.

Markings:



Manufacturer mark | CE Notified body | EN standard



Product code | Breaking strength | Year-Batch | Refer to instructions





Tiger Lifting



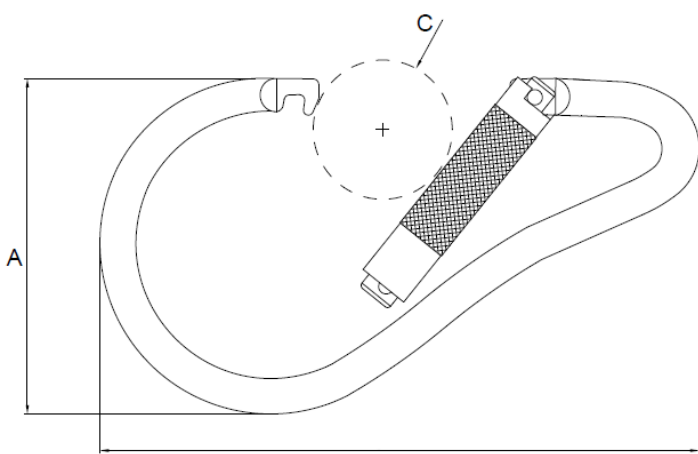
www.tigerlifting.com

Tiger

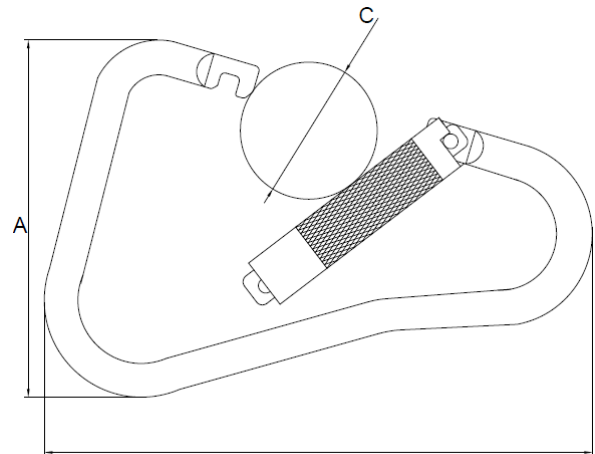
Home of the Tiger hoisting, winching and height safety ranges

Technical Data

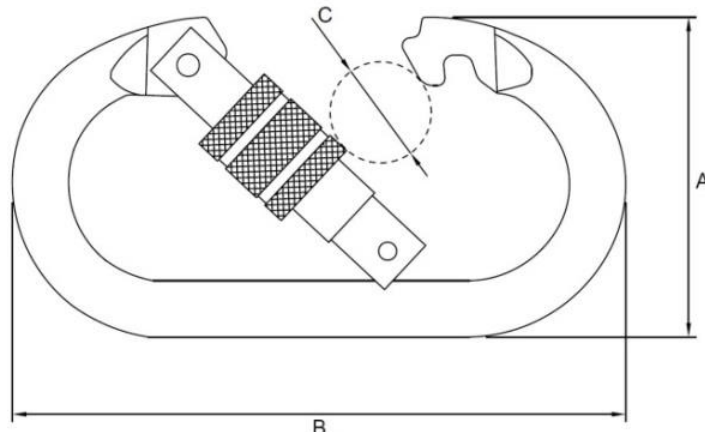
Product code	Description	Minimum breaking strength	Dimensions (mm)			Box Quantity	Weight (g)
			A	B	C		
TS-2012	Pear Steel "Scaffold" Hook with Captive Pin/Twist Lock	35kN / 7868lb	132	237	55	30	746
TS-2151	Offset Steel "Scaffold" Hook with Captive Pin/Twist Lock	50kN / 11240lb	142	222	56	30	723
TS-507	"Oval" Steel Karabiner/Screw lock	25kN / 5620lb	57	109	18	100	165



TS-2012



TS-2151



TS-507

Due to our policy of continual product development, dimensions, weights and specifications may change without prior notice. Please check with your Tiger sales team when ordering.

