



Subject: **DBI Advance Counterweight Base Reference 8000106**

Region:	<b>EMEA</b>	Language:	<b>EN</b>	Number:	<b>PB0034</b>	Revision:	<b>A</b>
Total Pages:	1	First Issue:	<b>9/2021</b>	Rev. Date:	<b>23/11/2021</b>		

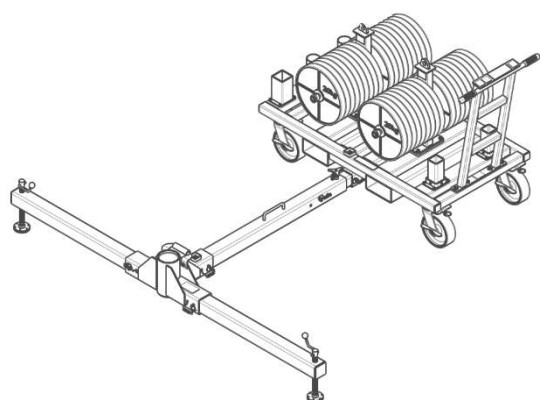
The purpose of this bulletin is to address an inaccurate statement in several versions of the “printed and PDF” confined space brochure. Some brochure versions state an incorrect number of required weighted plates item number 8000123.

In the brochure, the short reach Davit HC (Item number 8000107) was referenced as requiring 16 plates, whereas the correct requirement is 20 plates as stated in the IFU reference 5908362.

In the brochure, the long reach Davit HC (Item number 8000108) was referenced as requiring 32 plates, whereas the correct requirement is 36 plates as stated in the IFU reference 5908362.

This error has now been rectified. However, we are issuing this product bulletin to clarify the requirement for anyone viewing the prior version of the brochure.

For those customers who have purchased their own weighted plates it is important that you check the number of weights is correct according to the IFU and not the brochure and correct as appropriate.



A	B	
20	36cm-71cm (14"-28")	
36	69cm-112cm (27"-44")	
<b>8000123</b>		
AX		

### Important Notice

The mounting and use of the product described within this document assumes that the user has previous experience of this type of product and that it will be assembled by a competent professional according to product documentation. Before using this product, 3M recommends that the user complete some trials to validate the performance of the product for the application intended by the user.

All information and specification details contained within this document are specific to this particular 3M product and cannot be applied to other products or environments. Any action or use of this product in violation of this document is at the risk of the user.

Compliance with the information and specifications regarding the particular product described in this document does not exempt the user from compliance with additional guidelines (e.g., safety rules, procedures). Compliance with operational requirements especially in respect to the environment and usage of tools with this product must be observed. 3M is not responsible for the consequences of any violation of these rules which are beyond its decision and control.

Warranty provisions are provided with the sales contract documents consistent with applicable law.



### Registered Offices: