

RH HORIZONTAL PLATE CLAMPS

SOLD IN PAIRS



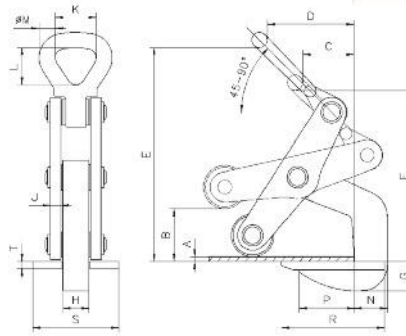
Horizontal plate clamps

Working load limit (WLL) 1500 - 5000kg

This range of horizontal plate clamps have been designed, to be used in pairs, for the horizontal transportation of individual, and bundled plate. The clamp is fitted with a steel roller to reduce any potential marking of the plate.

These clamps are sold, and must be used, in pairs.

NB: Always use with a two-legged chain sling (not supplied).



Model	WLL kg*	Jaw capacity mm	A mm	B mm	C mm	D mm	E mm	F mm	G mm	H mm	J mm	K mm	L mm	M mm	N mm	P mm	R mm	S mm	T mm
RH1500	1500	60	5	60	60	105	250	200	22	30	12	50	73	18	36	65	120	100	10
RH2500	2500	70	10	70	75	130	135	275	38	30	12	64	92	25	58	77	150	100	10
RH3500	3500	80	10	80	90	162	345	292	48	30	15	64	92	25	65	105	185	100	10
RH5000	5000	102	10	102	110	170	425	345	45	45	20	89	130	35	80	120	210	120	12

*Per pair. **Weight per pair of clamps without chains.