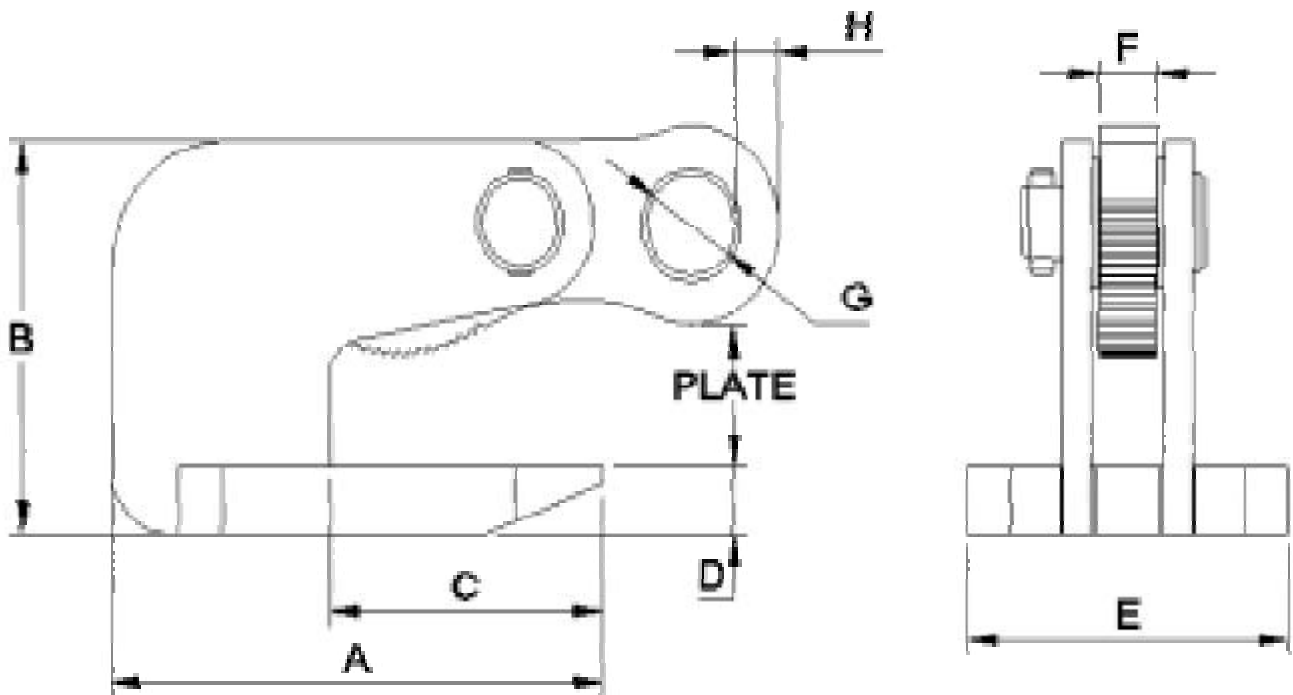


DESCRIPTION

The THK plate clamps are used in pairs with a 2leg sling at 60° on all types of materials in plate form up to surface hardness of 300 Brinell, providing that the plate can withstand the forces imposed on to it. They have been designed to handle a single thin sheet that deflects when being lifted.

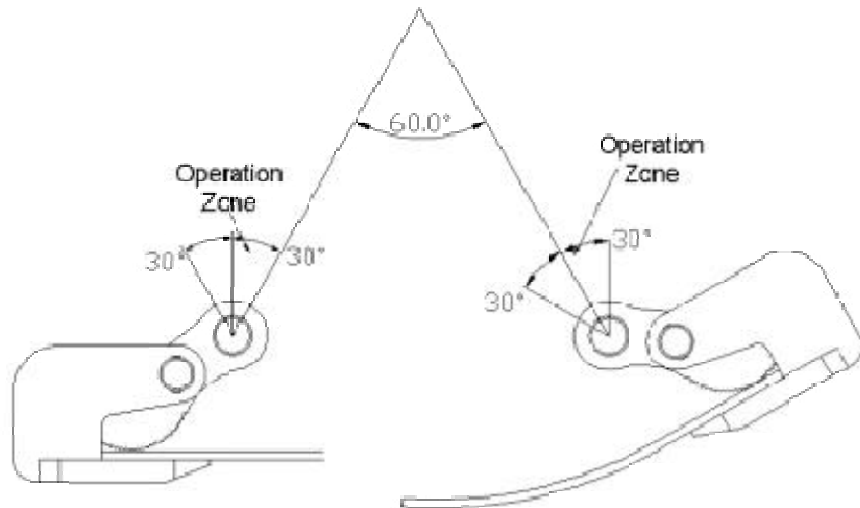
DIAGRAM



TABLE

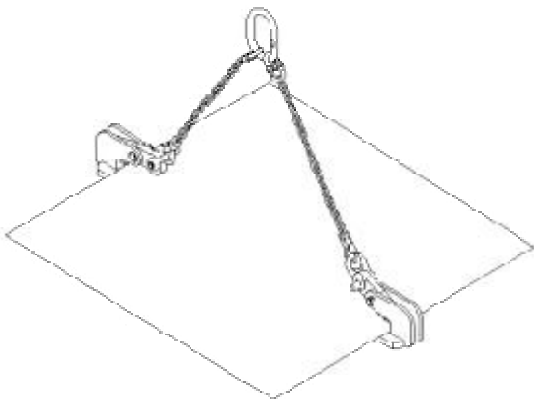
| MODEL | WLL kg | PLATE mm Z | WEIGHT kg | A | B | C | D | E | F | G | H |
|-----------------|-----------|---------------|--------------|-----|-----|-----|----|-----|----|----|----|
| THK 750 | 750 | 0 - 25 | 3 | 118 | 81 | 72 | 12 | 86 | 12 | 20 | 12 |
| THK 1500 | 1500 | 0 - 35 | 6 | 140 | 102 | 80 | 15 | 102 | 12 | 25 | 15 |
| THK 3000 | 3000 | 0 - 35 | 12 | 168 | 119 | 93 | 20 | 110 | 20 | 30 | 17 |
| THK 4500 | 4500 | 0 - 45 | 28 | 183 | 155 | 103 | 25 | 122 | 20 | 30 | 18 |
| THK 6000 | 6000 | 0 - 60 | 28 | 214 | 176 | 113 | 30 | 122 | 20 | 35 | 22 |
| THK 9000 | 9000 | 0 - 60 | 42 | 223 | 188 | 124 | 35 | 140 | 20 | 40 | 25 |

LOAD DIAGRAM



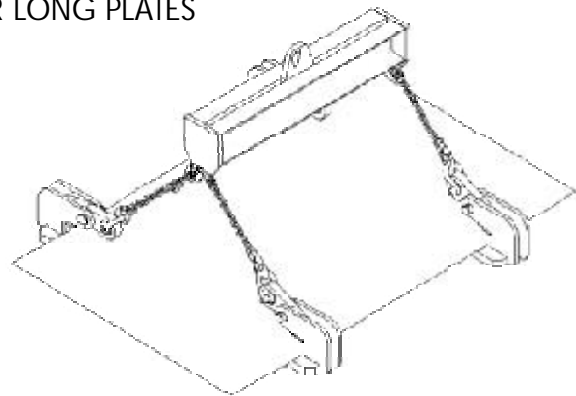
RESTRICTIONS Always read instructions prior to use.
Included angle between chain and sling is not to exceed 60 degrees.

FOR SHORT PLATES



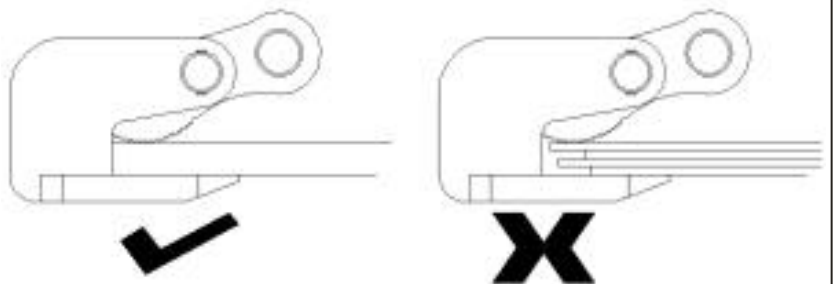
Use one pair of clamps for short plates

FOR LONG PLATES



Use a lifting beam or a spreader beam for long plates. DO NOT use endless chain slings or 4 leg slings.

Check the plate is in contact with the back of the clamp. Designed for use with one plate only.



OPTIONS

The THK option range includes alternative sizes and lifting capacities making this range the ideal horizontal thin sheet plate clamp.