



Tiger Lifting

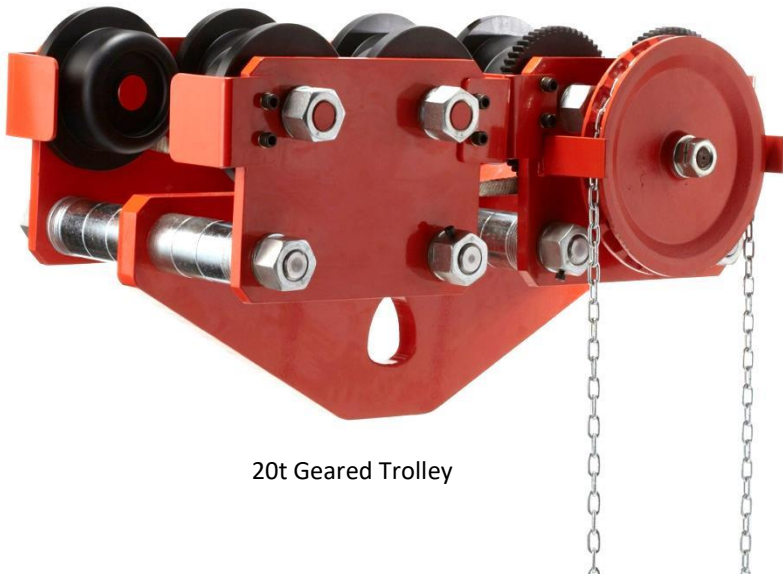


www.tigerlifting.com

Tiger

Home of the Tiger hoisting, winching and height safety ranges

Tiger Trolley Model No. TG/TP



20t Geared Trolley



1t Geared Trolley with optional beam locking device

Main Features

- Plain Trolley Range from 0.5t to 10.0t
- Geared Trolley Range from 0.5t to 30.0t
- The anti-drop plates design ensures extra safety, and also prevents damage to the wheels when contacting end rail stoppers
- Tiger trolley wheels are specially designed with a convex profile eliminating potential point loading
- The wheels run on sealed bearings for smoother rolling with less effort and maintenance
- Twin bar or single bar trolleys available
- Geared type available (with hand chain length to suit your requirements)
- Extended beam width available
- Corrosion or Spark Resistant versions available
- Operating temperature of -30°C to +100°C (temperature range of -50°C to +100°C available as an option)
- Optional beam locking device
- The 5:1 factor of safety allows for use with manual or powered hoists

These units meet and exceed all the requirements within BS EN 13157: 2004+A1:2009 and AS1418.2.

Certification:

Each unit comes fully certified with a test certificate or an EC Declaration of Conformity stating compliance with the essential health and safety requirements of the Machinery Directive 2006/42/EC.





Tiger Lifting



www.tigerlifting.com

Tiger

Home of the Tiger hoisting, winching and height safety ranges

Corrosion Resistant Trolleys

Critical components, including the hand chain and the pinion gear for geared trolleys, are protected by our OCP (Organic Compound Protection) finish giving unprecedented long-term reliability. Stainless steel fittings are used throughout the trolley. These ensure the initial capital outlay of purchasing a Tiger corrosion resistant trolley is protected by allowing the statutory inspections and re-certifications to be easier and also help with the overall aesthetics of the trolley being maintained in an "as new" condition. Our corrosion resistant trolleys are finished in our high quality white Akzo Nobel powder coat paint offering excellent additional corrosion protection and a high degree of impact protection.

Spark Resistant Trolleys

In many areas of industry, plants are operated with potentially explosive atmospheres. Due to the very high risk to personal and other assets, extremely strict guidelines and technical requirements are in place in explosive zones. Tiger Spark Resistant products are manufactured in accordance with ATEX Directive 94/9/EC and the Machinery Directive 2006/42/EC. Our products are lightweight and durable with a proven track record. Atex marking: Ex II 2 GD c IIC T4 IIIC T135°C. Suitable for gas and dust hazardous areas: Zone 1 & 2 (gas) and Zone 21 & 22 (dust).

- Plain or geared trolleys available
- Solid bronze trolley wheels
- Rubber buffers for trolleys
- Copper plated hand wheel (geared trolley) and hanging plate
- Special corrosion protected body
- Combination block and trolley units available

Optional

- Beam locking device



Photo Gallery



10t geared trolley



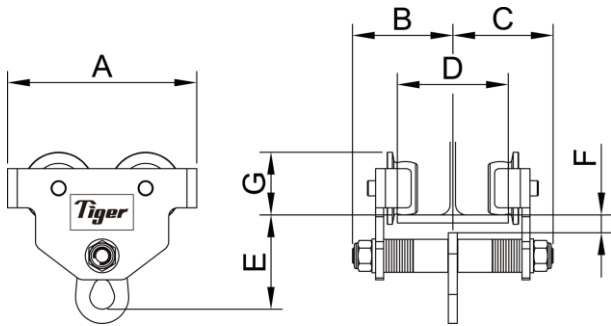
20t geared trolley (rear view)



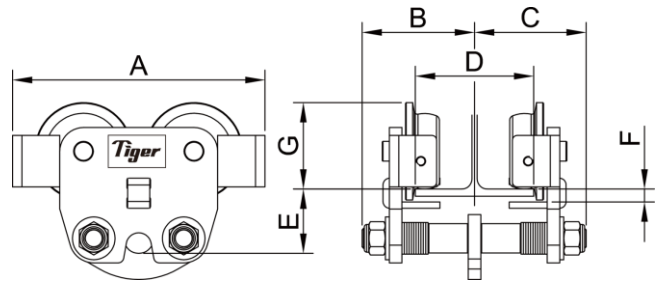


Technical Data - Plain Trolleys

	Product Code	Capacity (tonne)	D - Track width #		Dimensions (mm)									Min. curve ratio (m)	Net Weight (kg)
			Range 1 (mm)	Range 2 (mm)	A	B	C	E	F	G	H	J	K		
Single Bar Trolleys	TPS-0050	0.5	62-128	62-203	195	106	106	98	20	64	10	24	30	0.8	5.0
	TPS-0100	1.0	62-128	62-203	213	113	113	106	20	71	10	27	34	1.0	7.5
	TPS-0200	2.0	88-154	88-230	236	136	136	132	25	80	13	38	46	1.3	12.0
	TPS-0300	3.0	88-153	88-230	270	146	146	150	25	97	13	42	53	1.5	19.5
	TPS-0500	5.0	106-194	106-305	323	169	169	174	30	117	16	46	59	1.5	30.5
Twin Bar Trolleys*	TPT-0300	3.0	88-153	88-230	320	142	142	82	16	110				1.5	22.0
	TPT-0500	5.0	106-194	106-305	352	167	166	91	24	131				1.5	35.5
	TPT-1000	10.0	150-320	N/A	460	255	255	248	42‡	182	23	74	100	2.7	135.5



Single Bar



Twin Bar

Technical Data - Geared Trolleys

	Product Code	Capacity (tonne)	D - Track width #		Dimensions (mm)									Min. curve ratio (m)	Net Weight (kg)
			Range 1 (mm)	Range 2 (mm)	A	B	C	E	F	G	H	J	K		
Single Bar Trolleys	TGS-0050	0.5	62-128	62-203	195	165	106	98	20	64	10	24	30	0.8	9.0
	TGS-0100	1.0	62-128	62-203	213	170	113	106	20	71	10	27	34	1.0	11.0
	TGS-0200	2.0	88-154	88-230	236	182	136	132	25	80	13	38	46	1.3	16.5
	TGS-0300	3.0	88-153	88-230	270	184	146	150	25	97	13	42	53	1.5	24.5
	TGS-0500	5.0	106-194	106-305	323	210	169	174	30	117	16	46	59	1.5	35.5
Twin Bar Trolleys*	TGT-0300	3.0	88-153	88-230	320	181	142	82	16	110				1.5	27.0
	TGT-0500	5.0	106-194	106-305	352	202	166	91	24	131				1.5	40.0
	TGT-1000	10.0	150-320	N/A	460	335	255	248	42‡	182	23	74	100	2.7	150.0
	TGT-2000	20.0	150-320	N/A	930	335	255	270	42‡	182	35	85	95	6.0	356.0
	TGT-2500	25.0	150-320	N/A	930	335	255	278	42‡	182	38	100	115	6.0	363.0
	TGT-3000	30.0	150-320	N/A	990	348	267	288	42‡	182	38	100	115	6.0	368.0

Standard geared trolley hand chain length – 2.5m. We can change the length to suit your requirements.

Notes:

H is the thickness of the anchor point, J is the width of the anchor point opening and K is the height of the anchor point opening.

* 0.5t-2t twin bar available as special orders – minimum order 100 each size – please contact us for details.

‡ A beam flange thickness up to 50mm can be accommodated if required – please ask for more information.

Please contact us for track widths outside of these ranges.





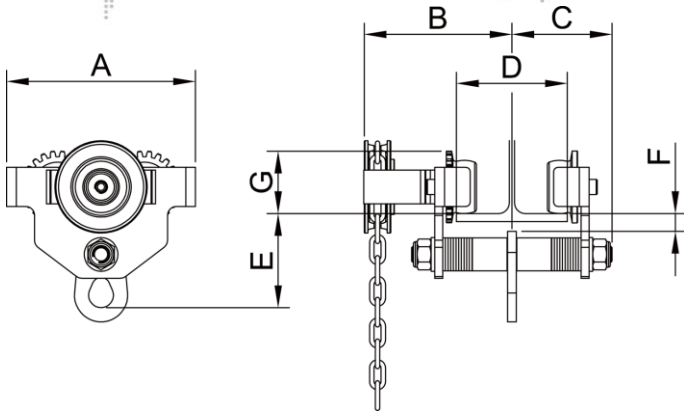
Tiger Lifting



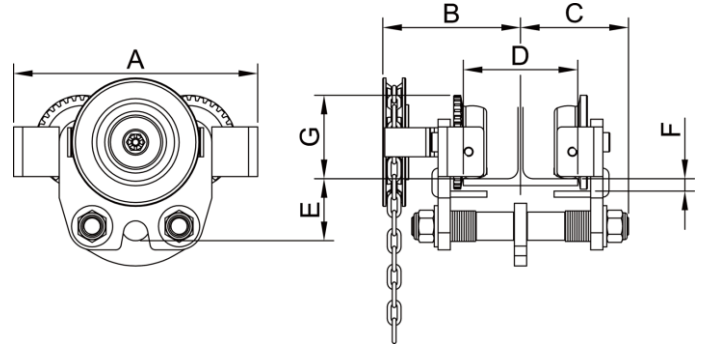
www.tigerlifting.com

Tiger

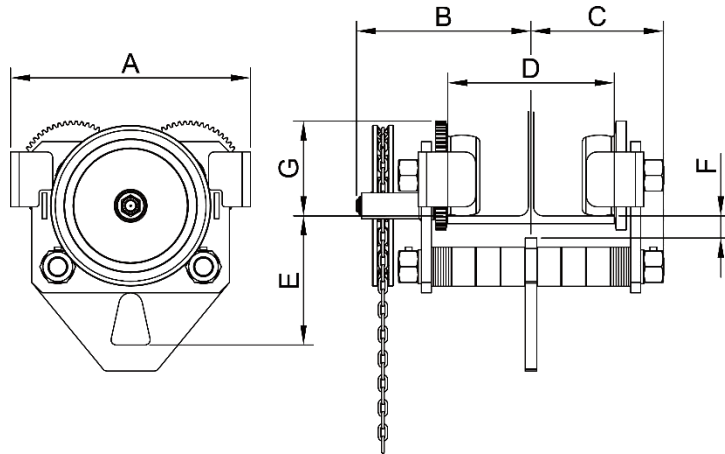
Home of the Tiger hoisting, winching and height safety ranges



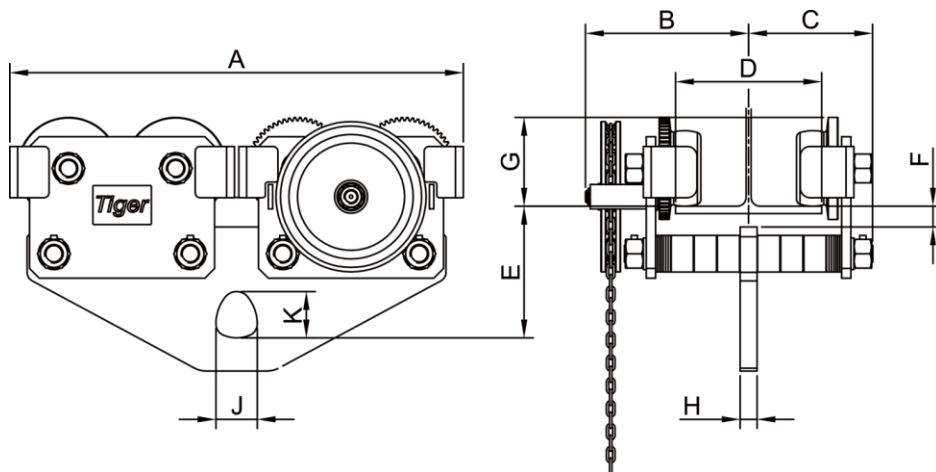
Single Bar



Twin Bar 3.0t & 5.0t



Twin Bar Trolley 10.0t



Twin Bar Trolley 20.0t – 30.0t

Due to our policy of continual product development, dimensions, weights and specifications may change without prior notice. Please check with your Tiger sales team when ordering.

