

Metric Thread Model No. 8-211



Main Features

- Rotates through 360° and pivots 90°
- Manufactured from alloy steel, quenched and tempered
- Tested in accordance with EN1677-1
- Certified by DGUV GS-OA 15-04
- Load rated parts are 100 % magnaflux crack detected
- Individual forged parts and cap screw are traceable to Test Certification
- Bolts are Metric thread
- Proof tested to 2.5 times the WLL
- Fatigue rated to 20,000 cycles at 1.5 times the WLL
- All YOKE Lifting points meet or exceed all the requirements of ASME B30.26
- Quick and simple assembly, just a tapped hole is required

Certification:

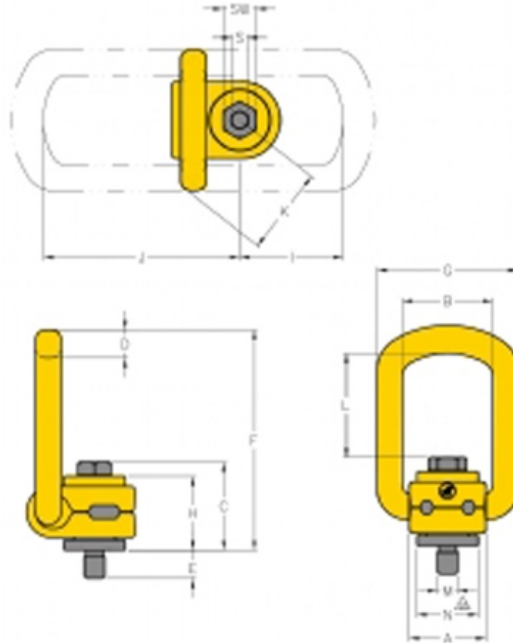
Each unit comes fully certified with a test certificate or an EC Declaration of Conformity stating compliance with the essential health and safety requirements of the Machinery Directive 2006/42/EC, the Supply of Machinery (Safety) Regulations 2008 and Section 6 of the Health and Safety at Work Etc Act 1974.

Manufactured and tested in accordance with EN1677-1. All YOKE Lifting points meet or exceed all the requirements of ASME B30.26.

Technical Data

Product Code	Capacity (tonne)	Thread version		Pitch DIN1 3	Dimensions (mm)														Torque in (Nm)	Net Weight (kg)
		M (mm)	E (mm)		A	B	C	D	F	G	H	S	SW	I	J	K	L	N		
8-211-003	0.30	M8	11	1.25	30	35	35	11	86	55	29	6	13	41	77	34	41	24	30	0.3
8-211-006	0.63	M10	16	1.5	30	35	36	11	86	55	29	6	17	42	78	34	40	24	60	0.4
8-211-010	1.00	M12	18	1.75	33	38	44	14	99	57	36	8	19	44	89	38	42	31	100	0.5
8-211-012	1.20	M14	21	2	33	38	45	14	99	57	36	10	22	45	89	38	40	31	120	0.5
8-211-015	1.50	M16	24	2	33	38	46	14	99	57	36	10	24	45	89	38	40	31	150	0.6
8-211-025	2.50	M20	31	2.5	50	54	56	16	142	82	43	12	30	74	132	53	70	49	250	1.6
8-211-040	4.00	M24	36	3	50	54	59	16	143	82	44	14	36	74	132	53	67	45	400	1.9
8-211-050	5.00	M30	49	3.5	60	65	81	23	170	99	62	17	46	80	153	64	67	59	500	3.1
8-211-070	7.00	M36	56	4	60	65	75	23	171	99	58	22	55	80	153	64	74	59	700	3.1
8-211-080	8.00	M36	62	4	77	85	101	27	225	124	78	22	55	112	205	80	97	69	800	5.9
8-211-100	10.00	M42	72	4.5	77	85	104	27	225	124	78	24	65	113	204	79	94	69	1000	6.3
8-211-150	15.00	M42	64	4.5	95	104	112	36	258	158	86	24	65	127	229	98	110	98	1500	10.9
8-211-200	20.00	M48	73	5	95	104	120	36	260	158	90	27	75	126	230	99	104	98	2000	12.1

Other sizes available - please ask for details.



Due to our policy of continual product development, dimensions, weights and specifications may change without prior notice. Please check with your Tiger sales team when ordering.