

### Clevis eye mountings model AYH

Clevis eye mountings are screwed onto the piston and bottom of the hydraulic cylinder whenever mounting conditions require a pivoting of the cylinder.



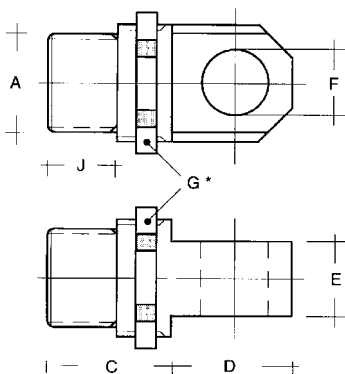
#### Technical data model AYH

Model	EAN-No. 4025092*	Suitable for cylinder	Suitable for	Weight kg
AYH-5-1	*157179	YH-5/30, YH-5/80, YH-5/150	Cylinder base	0.3
AYH-5-2	*157186	YH-5/30, YH-5/80, YH-5/150	Piston	0.3
AYH-10-1	*157193	YH-10/30, YH-10/80, YH-10/150, YH-10/250	Cylinder base	0.6
AYH-10-2	*157209	YH-10/30, YH-10/80, YH-10/150, YH-10/250	Piston	0.6
AYH-20-1	*157216	YH-20/150, YH-20/250	Cylinder base	2.1
AYH-20-2	*157223	YH-20/150, YH-20/250	Piston	2.1

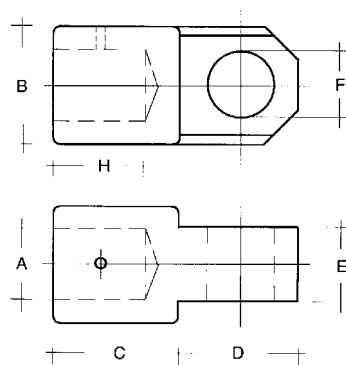
#### Dimensions model AYH

Model	AYH-5-1	AYH-5-2	AYH-10-1	AYH-10-2	AYH-20-1	AYH-20-2
A, mm	M27x2	M18x1.5	M36x2	M27x2	M45x2	M36x2
B, mm	-	35	-	40	-	70
C, mm	35	35	38	38	50	50
D, mm	35	35	42	42	65	65
E, mm	15	15	25	25	35	35
F, mm	16	16	20	20	30	30
G <sup>1</sup> , mm	M35x1.5	-	M40x1.5	-	M70x2	-
H, mm	-	-	-	21	-	24
J, mm	18	-	21	-	23	-

<sup>1</sup>G = retainer nut DIN 981



Model AYH-...-1 for cylinder base



Model AYH-...-2 for piston