

92 SERIES VERTICAL PLATE CLAMPS



Standard plate clamps with safety lock

Working load limit (WLL) 500 - 3000kg

These clamps are primarily used for transporting sheet metal and steel plates in the vertical position, as well as lifting and rotating through 180°.

They can also be used for transporting steel constructions and profiles. It is recommended to use a pair of plate clamps in conjunction with a spreader beam for long materials which have a tendency to sag or flex.

Function

The jaw is opened and closed with the locking lever, except for the 92-500 which uses a positive spring-loaded cam.

The safety lock spring loads the cam jaw, preventing the clamp from opening even when there is no load on the jaw.

Workmanship and parts

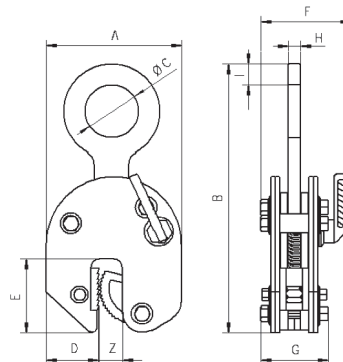
These plate clamps are service-friendly, making it easy to exchange parts, which are readily available. Clamp repairs are available through the factory, or can be done by a competent person.

NB: The plate surface of the material being clamped must have a hardness level below HRC 30/Brinell 300.



Model	WLL kg*	Jaw (Z) capacity mm	A mm	B mm	C mm	D mm	E mm	F mm	G mm	H mm	I mm	Weight kg**
92-500	50 - 500	0 - 16	99	195	29	33	47	50	48	11	15	1.5
92-1500	100 - 1500	0 - 20	126	225	50	49	70	82	55	13	20	3.0
92-2000	200 - 2000	0 - 32	192	312	80	75	96	100	81	20	24	8.0
92-3000	300 - 3000	0 - 32	192	320	80	75	96	100	81	30	30	12.0

PLEASE NOTE: Units are supplied as standard with a hook ring. Link fitting and chain are available on request as a special order.
 *Per clamp. **Weight per clamp with hook ring. ***Standard length of chain = 4-6 links.



92 Series plate clamps.
Working load limit 500 - 3000kg