



Water Ingress Detection System for alarm in cargo holds, ballast and dry spaces on bulkers

This Fully autonomous system meets the standards for protection against water ingress in dry cargo vessel. Its main advantage is the use of Lidec L20-70DW level switches as independent water detector, which is self controlled permanently even inside surrounding cargos as cement or any other powdery substance.

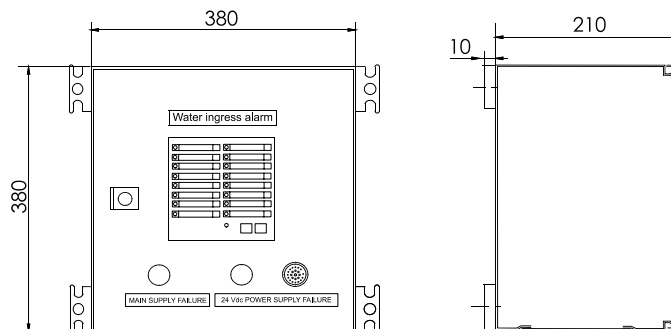
The excellent through life reliability of the control cabinet and its components especially the alarm unit which is an intelligent and self-reliant warning unit, no longer needs to be demonstrated. Its role is to process signals, eliminate unwanted information and give alarms at the right time.

WIDS System - Technical Specifications

Technical Data

Number of channels per alarm unit:	16
Type of detection:	fail-safe (18-6 mA)
Power supply:	115/230V / 50-60Hz 100 VA max.
Operating temperature:	-10°C + 55°C (peak 70°C)
Protection:	IP52
Automatic threshold detection	
Sensor input:	Lidec L20-70DW
Weight:	25 kg

Dimensions & Fixation

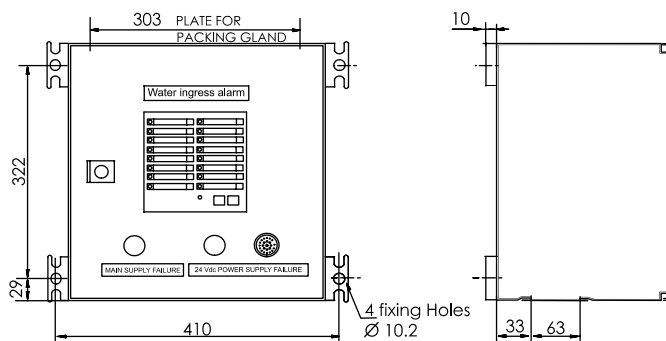


The dimensions can be modified according to the number of alarm units to be supplied

Special Features

- Relay output: 3 (for siren, rotating light and automatic switch over for power supply)
- Power supply fault detection
- Individual channel inhibition before loading liquid
- Automatic channel inhibition release when tank is empty
- Fully autonomous system
- In compliance with SOLAS chapter XII reg 12
- Independent water tight sensors
- Self tested
- Approved by major classification societies

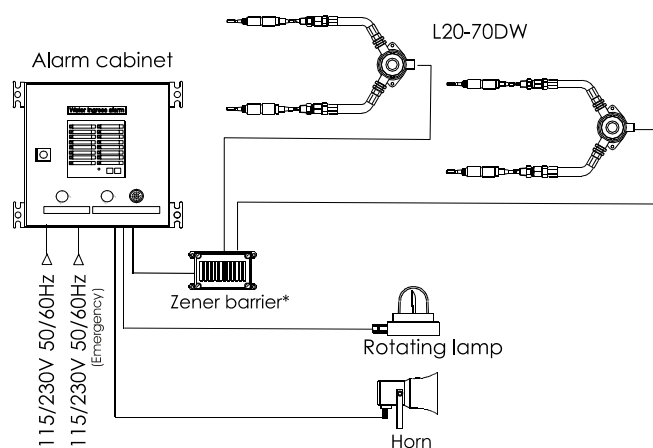
Mechanical Connection



Technical Documentation

Technical manual: MT5003

Electrical Connection



Honeywell Marine SAS

9, rue Isaac Newton
 ZA Port Sec Nord, Esprit 1
 18000 Bourges – France
 Phone : + 33 (0) 248 237 901
 Fax : + 33 (0) 248 237 903
 E-Mail: contact.marine@honeywell.com
www.honeywellmarine.com

HM-11-39-ENG
 October 2013
 © 2013 Honeywell International Inc.

Honeywell