



EN795:2012 Class B

CE Type Test

No. 0086
BSI Product Services
Kitemark Court
Davy Avenue
Knowlhill, Milton Keynes
MK5 8PP, UK

CE Production Quality Control

No. 0086
BSI Product Services
Kitemark Court
Davy Avenue
Knowlhill, Milton Keynes
MK5 8PP, UK



SafRig™ Fall Arrest System
with Counterweight Base

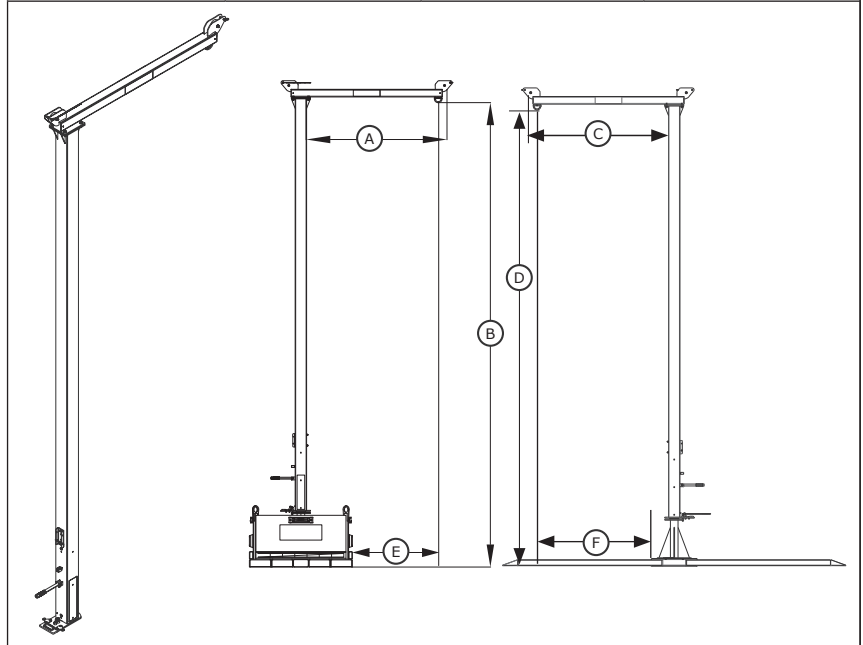
Model Number: 8560015, 8560016

INSTRUCTION MANUAL

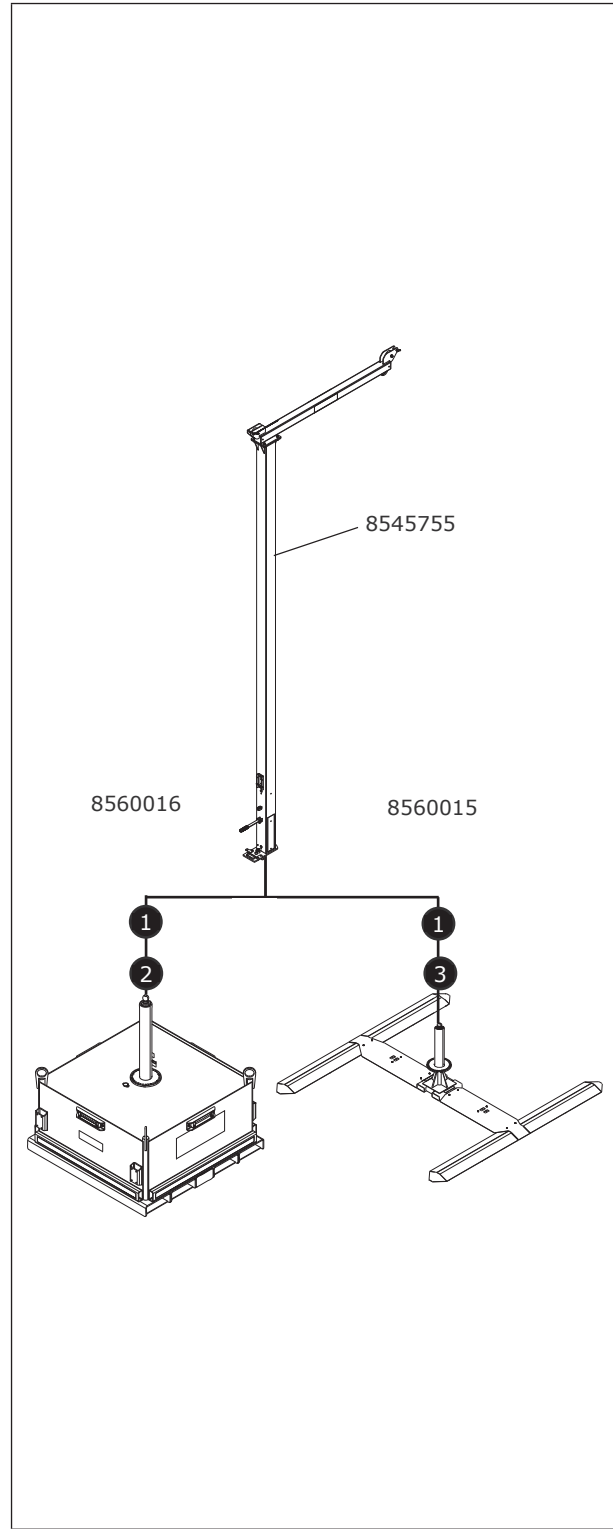
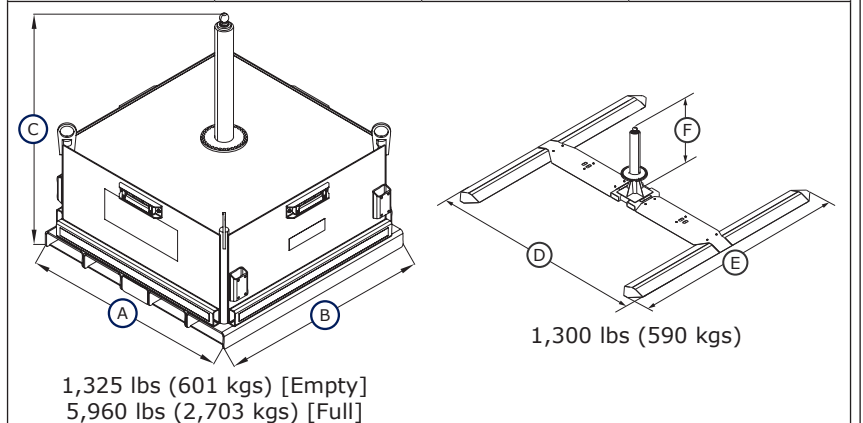
Fall Protection

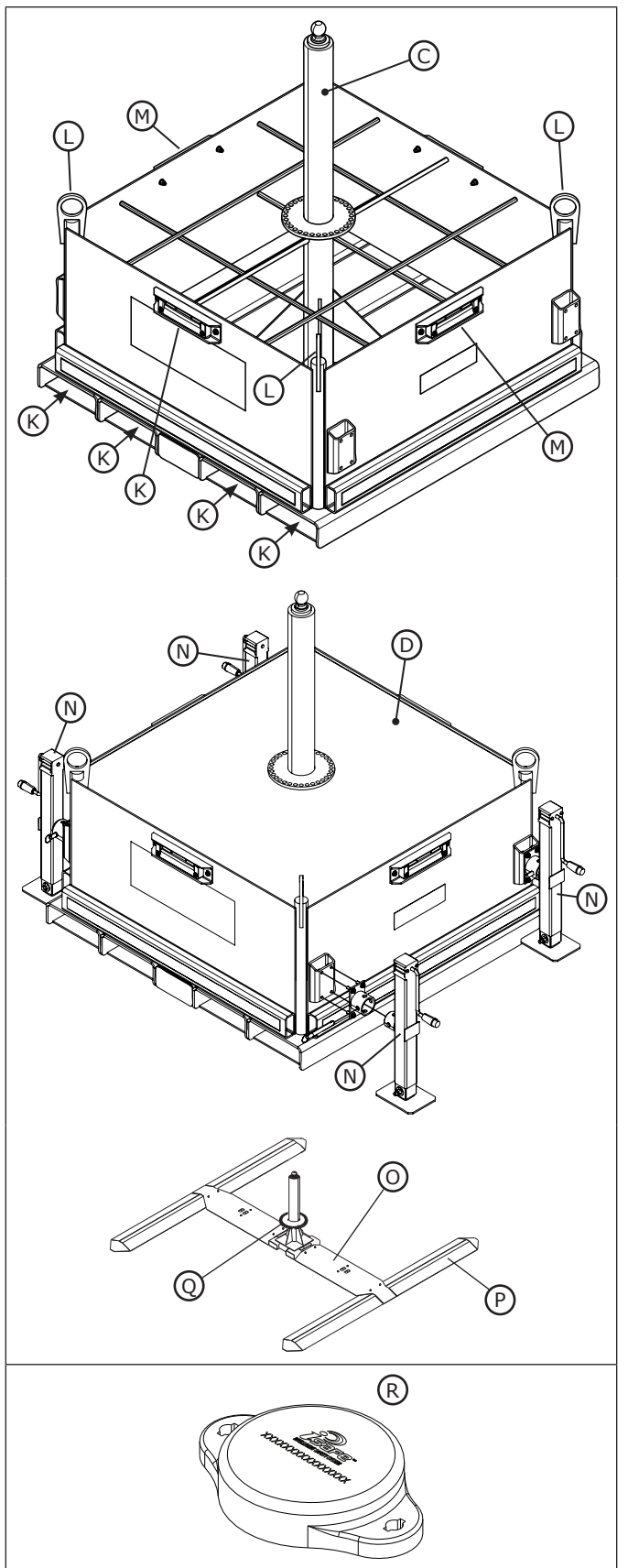
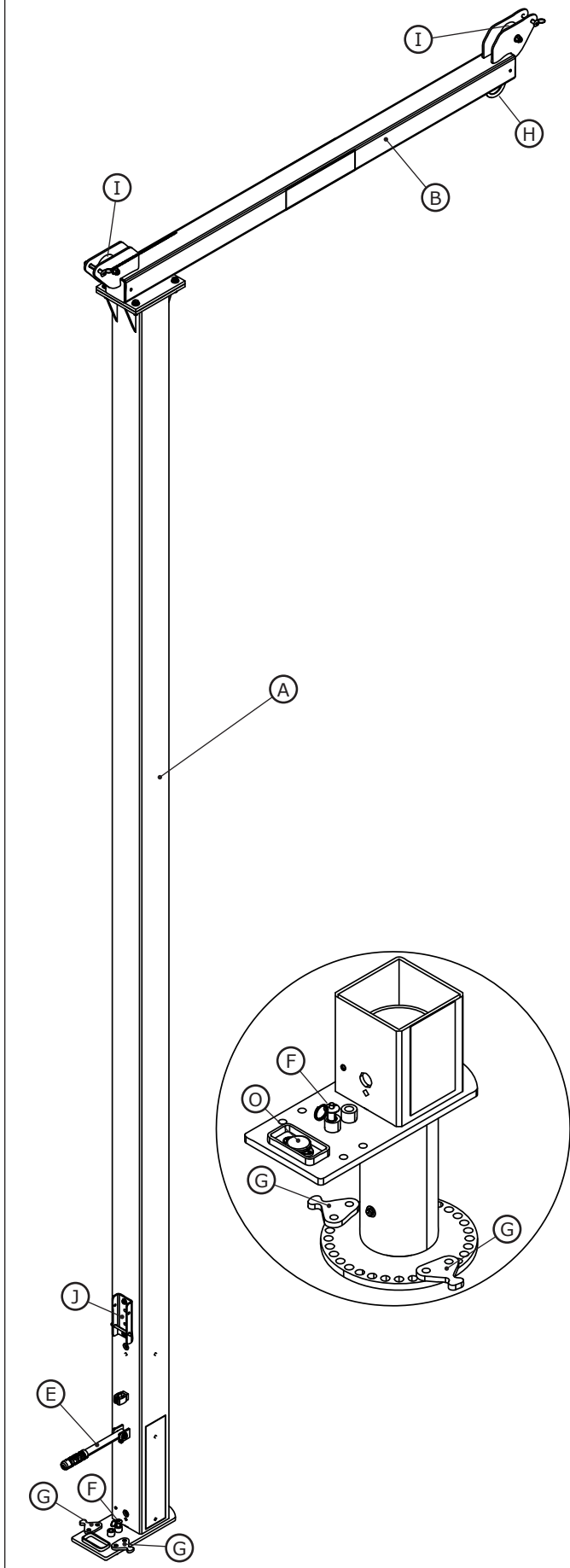
1

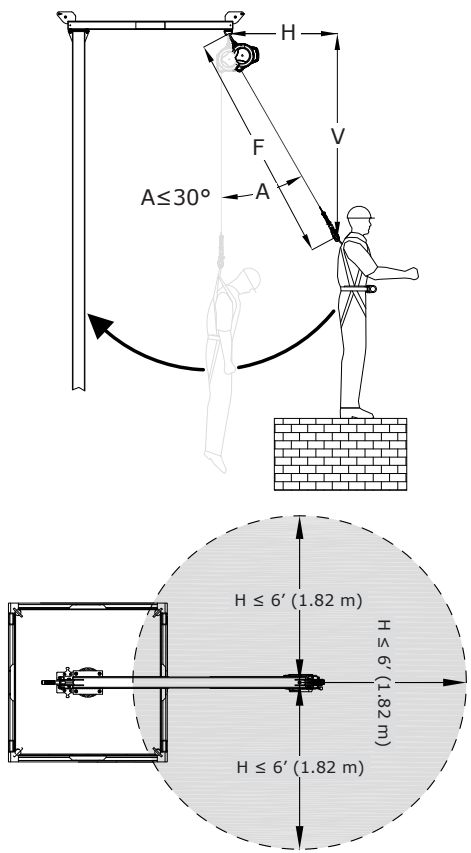
1	A	B	E
8545755	3.75 ft (1.0 m)	20 ft (6.1 m)	45 in (1.1 m)
1	C	D	F
8545755	72 in (1.8 m)	20 ft (6.1 m)	60 in (1.5 m)



2	A	B	C
8560013	54 in (137 cm)	54 in (137 cm)	61 in (155 cm)
3	D	E	F
8545764	15 ft (457.2 cm)	15 ft (457.2 cm)	61 in (155 cm)

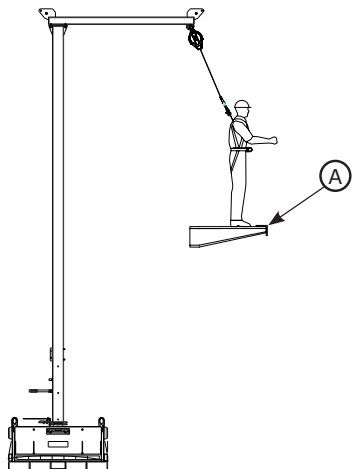




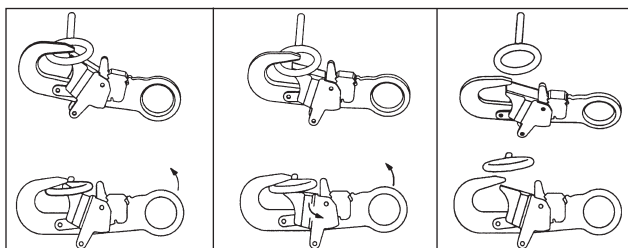


F ft (m)	← H - ft (m) →						
	0 (0.0)	1 (0.3)	2 (0.6)	3 (0.9)	4 (1.2)	5 (1.5)	6 (1.8)
0 (0.0)	0.0 (0.0)	1.0 (0.3)	2.0 (0.6)	3.0 (0.9)	4.0 (1.2)	5.0 (1.5)	6.0 (1.8)
1 (0.3)	1.0 (0.3)	1.4 (0.4)	2.2 (0.7)	3.2 (1.0)	4.1 (1.3)	5.1 (1.6)	6.1 (1.9)
2 (0.6)	2.0 (0.6)	2.2 (0.7)	2.8 (0.9)	3.6 (1.1)	4.5 (1.4)	5.4 (1.6)	6.3 (1.9)
3 (0.9)	3.0 (0.9)	3.2 (1.0)	3.6 (1.1)	4.2 (1.3)	5.0 (1.5)	5.8 (1.8)	6.7 (2.0)
4 (1.2)	4.0 (1.2)	4.1 (1.3)	4.5 (1.4)	5.0 (1.5)	5.7 (1.7)	6.4 (2.0)	7.2 (2.2)
5 (1.5)	5.0 (1.5)	5.1 (1.6)	5.4 (1.6)	5.8 (1.8)	6.4 (2.0)	7.1 (2.2)	7.8 (2.4)
6 (1.8)	6.0 (1.8)	6.1 (1.9)	6.3 (1.9)	6.7 (2.0)	7.2 (2.2)	7.8 (2.4)	8.5 (2.6)
7 (2.1)	7.0 (2.1)	7.1 (2.2)	7.3 (2.2)	7.6 (2.3)	8.1 (2.5)	8.6 (2.6)	9.2 (2.8)
8 (2.4)	8.0 (2.4)	8.1 (2.5)	8.2 (2.5)	8.5 (2.6)	8.9 (2.7)	9.4 (2.9)	10.0 (3.0)
9 (2.7)	9.0 (2.7)	9.1 (2.8)	9.2 (2.8)	9.5 (2.9)	9.8 (3.0)	10.3 (3.1)	10.8 (3.3)
10 (3.0)	10.0 (3.0)	10.0 (3.1)	10.2 (3.1)	10.4 (3.2)	10.8 (3.3)	11.2 (3.4)	11.7 (3.6)
11 (3.4)	11.0 (3.4)	11.0 (3.4)	11.2 (3.4)	11.4 (3.5)	11.7 (3.6)	12.1 (3.7)	12.5 (3.8)
12 (3.7)	12.0 (3.7)	12.0 (3.7)	12.2 (3.7)	12.4 (3.8)	12.6 (3.9)	13.0 (4.0)	13.4 (4.1)
13 (4.0)	13.0 (4.0)	13.0 (4.0)	13.2 (4.0)	13.3 (4.1)	13.6 (4.1)	13.9 (4.2)	14.3 (4.4)
14 (4.3)	14.0 (4.3)	14.0 (4.3)	14.1 (4.3)	14.3 (4.4)	14.6 (4.4)	14.9 (4.5)	15.2 (4.6)
15 (4.6)	15.0 (4.6)	15.0 (4.6)	15.1 (4.6)	15.3 (4.7)	15.5 (4.7)	15.8 (4.8)	16.2 (4.9)
16 (4.9)	16.0 (4.9)	16.0 (4.9)	16.1 (4.9)	16.3 (5.0)	16.5 (5.0)	16.8 (5.1)	17.1 (5.2)
17 (5.2)	17.0 (5.2)	17.0 (5.2)	17.1 (5.2)	17.3 (5.3)	17.5 (5.3)	17.7 (5.4)	18.0 (5.5)
18 (5.5)	18.0 (5.5)	18.0 (5.5)	18.1 (5.5)	18.2 (5.6)	18.4 (5.6)	18.7 (5.7)	19.0 (5.8)
19 (5.8)	19.0 (5.8)	19.0 (5.8)	19.1 (5.8)	19.2 (5.9)	19.4 (5.9)	19.6 (6.0)	19.9 (6.1)
20 (6.1)	20.0 (6.1)	20.0 (6.1)	20.1 (6.1)	20.2 (6.2)	20.4 (6.2)	20.6 (6.3)	20.9 (6.4)
21 (6.4)	21.0 (6.4)	21.0 (6.4)	21.1 (6.4)	21.2 (6.5)	21.4 (6.5)	21.6 (6.6)	21.8 (6.7)
22 (6.7)	22.0 (6.7)	22.0 (6.7)	22.1 (6.7)	22.2 (6.8)	22.4 (6.8)	22.6 (6.9)	22.8 (7.0)
23 (7.0)	23.0 (7.0)	23.0 (7.0)	23.1 (7.0)	23.2 (7.1)	23.3 (7.1)	23.5 (7.2)	23.8 (7.2)
24 (7.3)	24.0 (7.3)	24.0 (7.3)	24.1 (7.3)	24.2 (7.4)	24.3 (7.4)	24.5 (7.5)	24.7 (7.5)
25 (7.6)	25.0 (7.6)	25.0 (7.6)	25.1 (7.6)	25.2 (7.7)	25.3 (7.7)	25.5 (7.8)	25.7 (7.8)

4



5

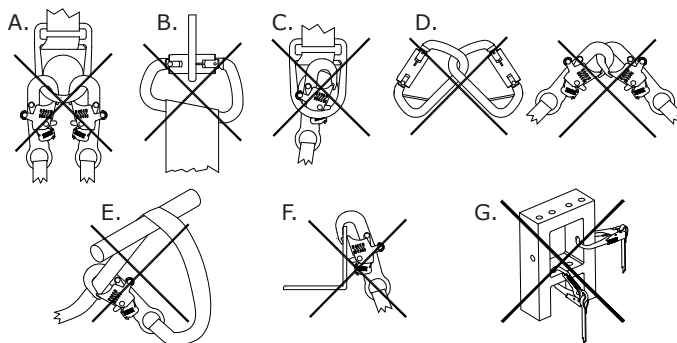


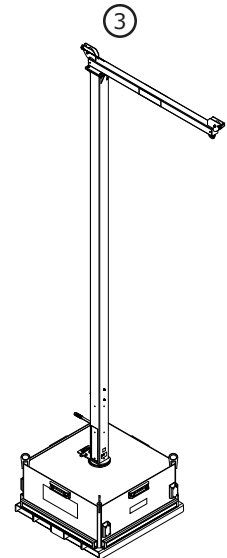
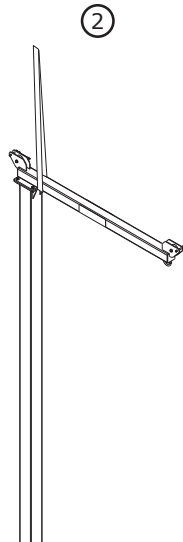
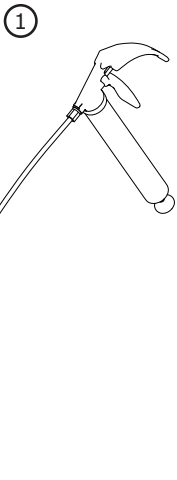
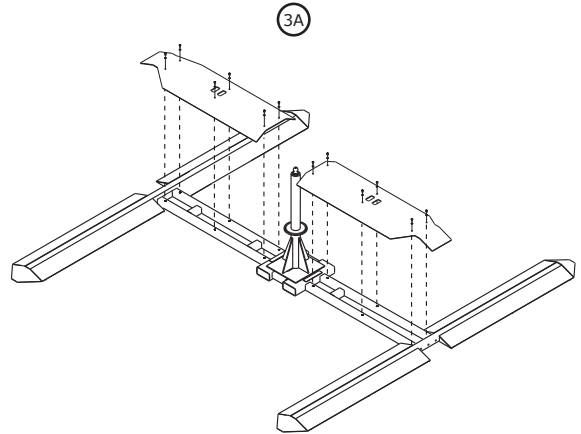
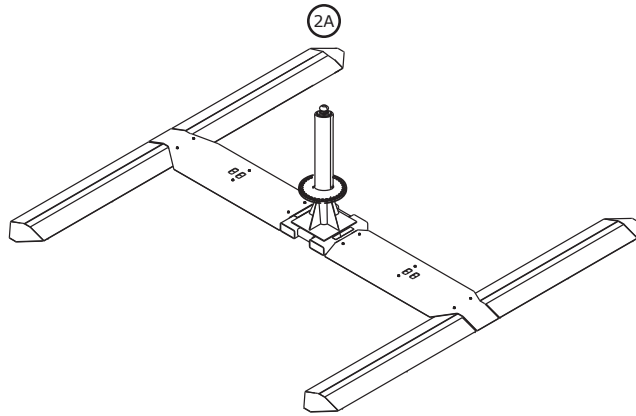
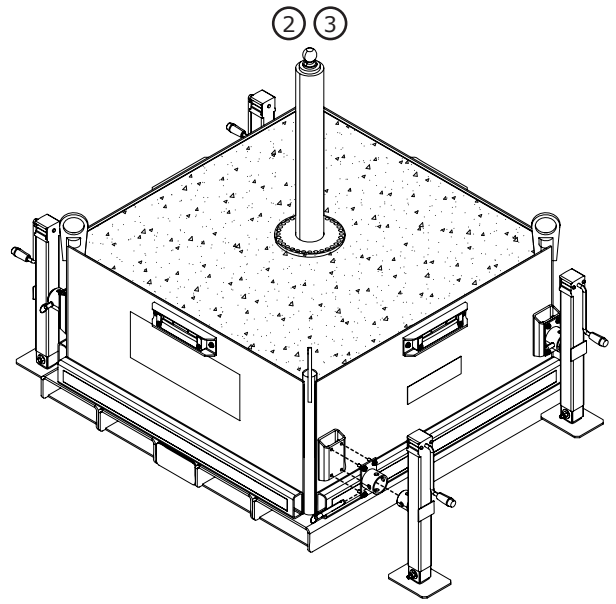
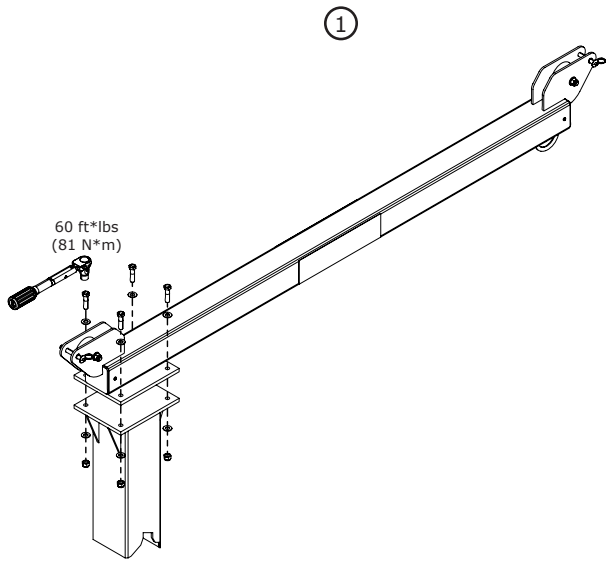
A

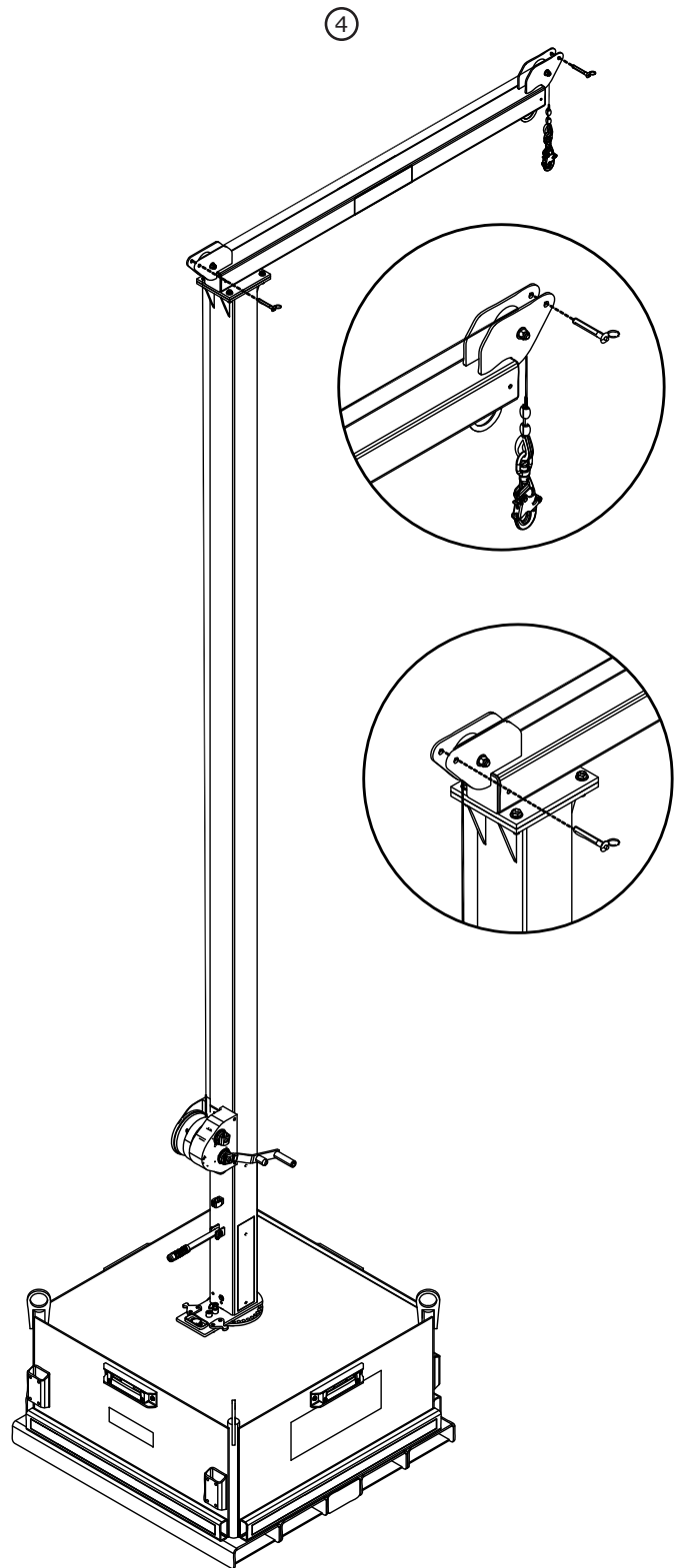
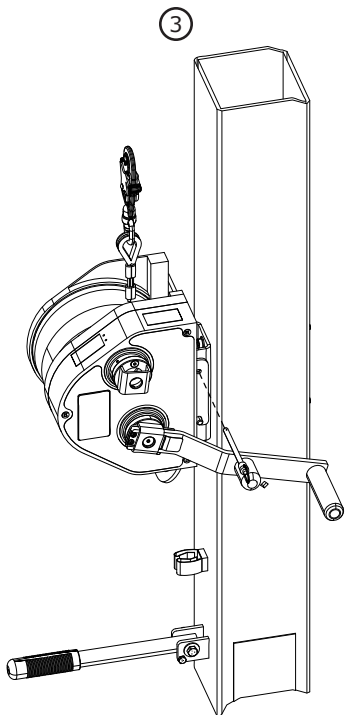
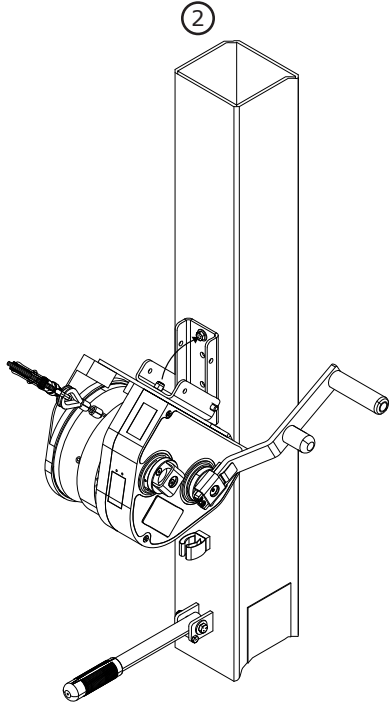
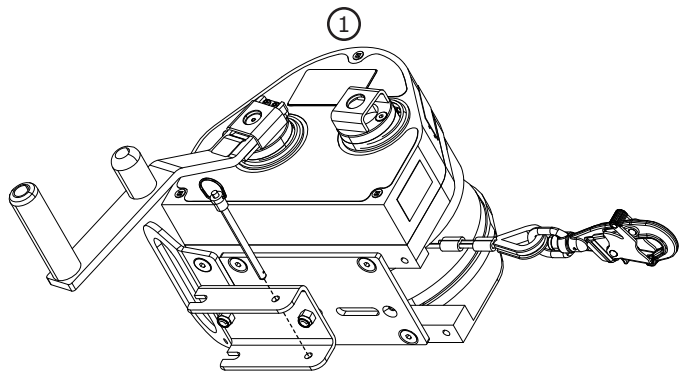
B

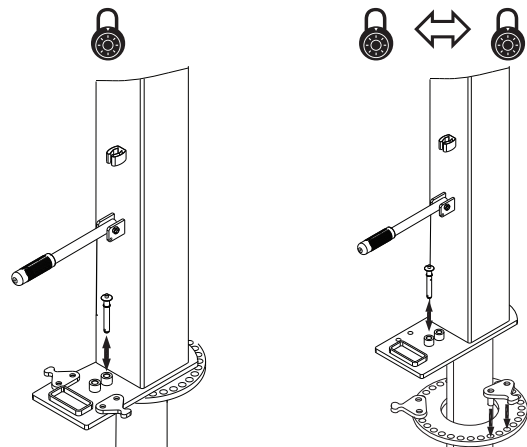
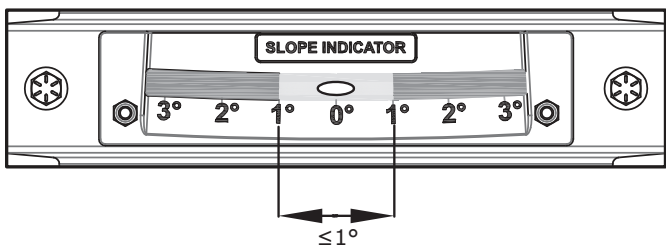
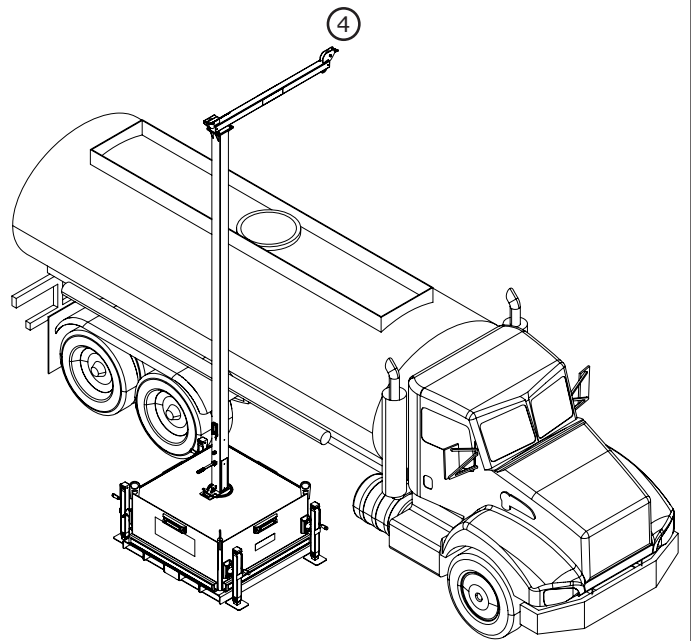
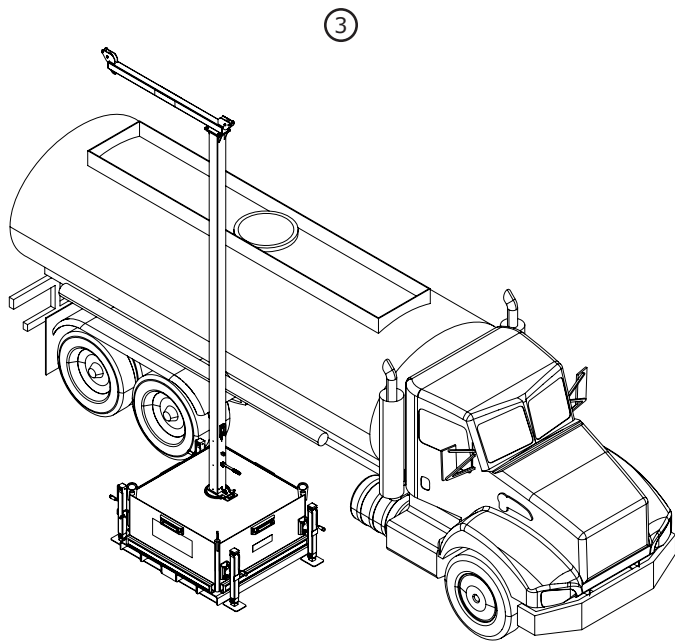
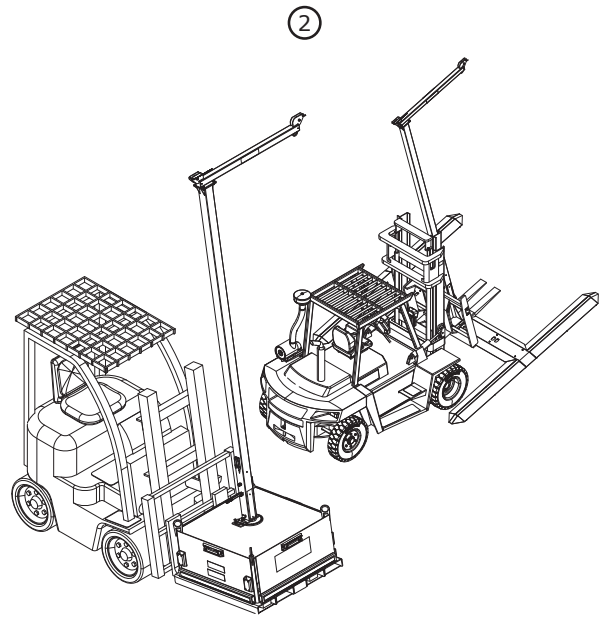
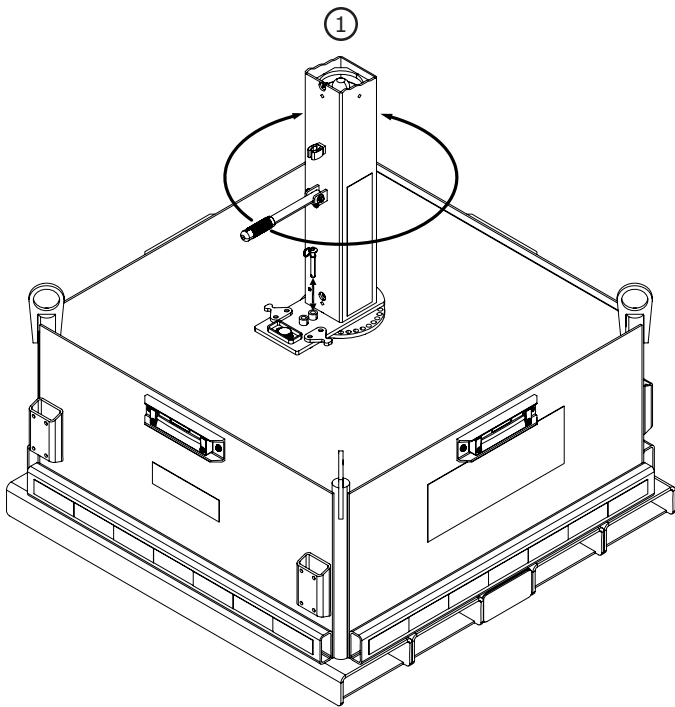
C

6

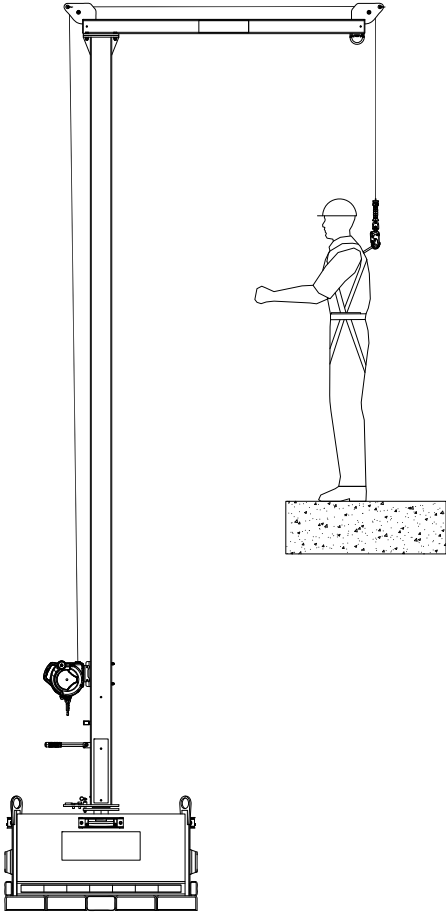




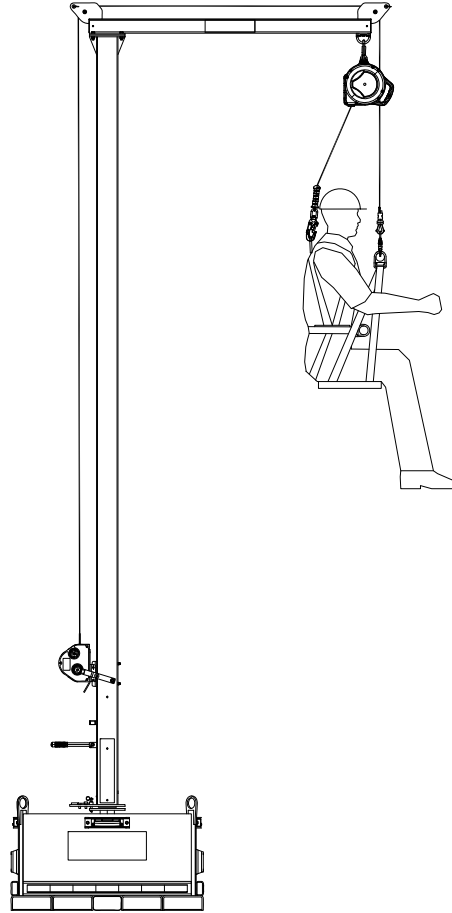




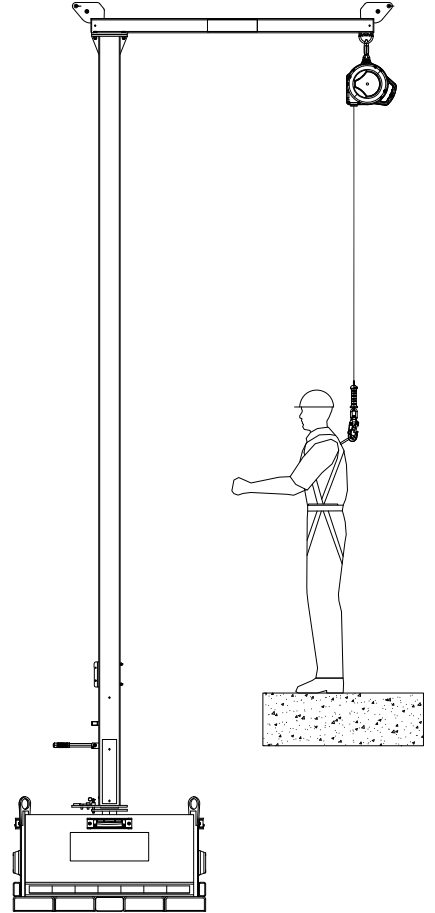
A



B



C



WARNING: This product is part of a Personal Fall Arrest and Work Positioning system. The user must follow the manufacturer's instructions for each component of the system. These instructions must be provided to the user of this equipment. The user must read and understand these instructions before using this equipment. Manufacturer's instructions must be followed for proper use and maintenance of this equipment. Alterations or misuse of this product or failure to follow instructions may result in serious injury or death. If this product is resold outside the original country of destination, the re-seller must provide these instructions in the language of the country in which the product will be used.

IMPORTANT: If you have questions on the use, care, or suitability of this equipment for your application, contact Capital Safety. For general questions, refer to national Standards including CE and applicable local requirements governing occupational safety for more information about fall protection systems.

IMPORTANT: Prior to installation and use of this equipment, record the product identification information from the ID label in the Inspection and Maintenance Log (Table 2) at the back of this manual.

PRODUCT DESCRIPTION:

Figure 1 illustrates the Flexiguard® SafRig Fall Arrest System. The SafRig Fall Arrest System is a fixed height boom mounted Fall Arrest System that rotates 360° on a concrete filled Counterweight Base.

Figure 2 illustrates components of the SafRig Fall Arrest System. See Table 1 for Component Specifications. A Vertical Mast (A) with an Offset Arm (B) is mounted on a Hitch Ball Post (C) embedded in the concrete filled Counterweight Base (D). The Mast can be rotated 360° with a foldable Rotation Handle (E) and locked at 11° increments with a Rotation Lock Pin Mechanism (F), or allowed to rotate through a range defined by two Rotation Limiters (G). The Offset Arm is equipped with a Fall Arrest Connection Point (H) and Guide Pulleys (I) for the cable lifeline from a Rescue Winch mounted on the Mast Winch Bracket (J).

The Counterweight Base has Lifting Channels (K) and Lifting Eyes (L) for transport with a Forklift, Pallet Jack, Crane, etc. and Slope Indicators (M) to ensure the system is level. Optional Leveling Jacks (N) can be installed on Jack Brackets on the Counterweight Base.

Table 1 – Specifications

Component Specifications:			
Figure 2 Reference	Component	Materials	Rating
(A)	Vertical Mast	Tube - Steel	
(B)	Offset Arm	Steel	
(C)	Hitch Ball Post	Tube - Steel Hitch Ball Pivot - Steel	
(D)	Counterweight Base	Steel Shell, Concrete with Steel Rebar	Filled with 4,000 psi Concrete Total Weight = 5,960 lbs (2,703 kgs)
(E)	Rotation Handle	Tube - Steel Hand Grip - Rubber	
(F)	Rotation Lock Pin Mechanism	Plate - Steel, Pin - Zinc Plated Steel	
(G)	Rotation Limiters	Steel with Magnets	
(H)	Fall Arrest Connection Point	Steel	1,800 lbs (8 kN) Vertical (↓) Load
(I)	Guide Pulleys	Acetal	
(J)	Winch Bracket	Steel	
(K)	Lifting Channels	Steel	
(L)	Lifting Eyes	Steel	5,000 lbs (2,268 kg) Vertical (↓) Load (1,250 lbs per eye)
(M)	Slope Indicators	Plastic Gauge on Aluminum C-Channel	
(N)	Jack Kit - 8530563 (Optional - sold separately)	Jack - Steel Mounting Tubes - Steel Mounting Pin - Steel	5,000 lb (22 kN) Maximum Lift Capacity per Jack
(O)	Drive Over Base	Steel	
(P)	Outrigger	Steel	
(Q)	Center Section	Steel	
(R)	i-Safe™ RFID Tag	Nylon, Glass	Radio Frequency - 13.56 MHz
System Specifications:			
Capacity:	1 Person with a combined weight (including clothing, tools, etc.) of no more than 310 lbs (141 kgs).		
Anchorage:	Structure supporting the Jib Boom Fall Arrest System must withstand a 7,350 lbs (33 kN) vertical load.		

1.0 PRODUCT APPLICATION

- 1.1 PURPOSE:** Anchorage Systems are designed to provide anchorage connection points for a Personal Fall Arrest System (PFAS).

WARNING: Unless otherwise noted, Capital Safety equipment is designed for use with Capital Safety approved components and subsystems only. Substitution or replacement with non-approved components or subsystems may jeopardize compatibility of equipment and may affect safety and reliability of the complete system. Do not hang, lift, or support tools or equipment from the Anchorage System, or attach guy lines for antennas, phone lines, etc.

- 1.2 SUPERVISION:** Installation of this equipment must be supervised by a Qualified Person¹. Use of this equipment must be supervised by a Competent Person².
- 1.3 TRAINING:** This equipment must be installed and used by persons trained in its correct application. This manual is to be used as part of an employee training program as required by CE. It is the responsibility of the users and installers of this equipment to ensure they are familiar with these instructions, trained in the correct care and use of this equipment, and are aware of the operating characteristics, application limitations, and consequences of improper use of this equipment.

IMPORTANT: Training must be conducted without exposing the user to a fall hazard. Training should be repeated periodically.

- 1.4 RESCUE PLAN:** When using this equipment and connecting subsystem(s), the employer must have a rescue plan and the means at hand to implement and communicate that plan to users, authorized persons³, and rescuers⁴. A trained, on-site rescue team is recommended. Team members should be provided with the equipment and techniques to perform a successful rescue. Training should be provided on a periodic basis to ensure rescuer proficiency.
- 1.5 INSPECTION FREQUENCY:** The Anchorage System shall be inspected by the user before each use and, additionally, by a competent person other than the user at intervals of no more than one year.⁵ Inspection procedures are described in the "Inspection and Maintenance Log" (Table 2). Results of each Competent Person inspection should be recorded on copies of the "Inspection and Maintenance Log".
- 1.6 AFTER A FALL:** If the Anchorage System is subjected to the forces of arresting a fall, it must be removed from the field of service immediately and replaced or inspected by an Authorized Capital Safety Representative.
- 1.7 INSTALLATION DOCUMENTATION:** After assembly and installation of the Anchor Post Anchorage System (FAS), "Installation Documentation" meeting the informational requirements of EN795:2012 Annex A must be completed by the installer and handed over to the user's designated representative. The Installation Documentation should be kept at the job site for purposes of subsequent examination of the Anchor Post FAS.

2.0 SYSTEM CONSIDERATIONS

- 2.1 ANCHORAGE:** Structure on which the Anchorage System is placed or mounted must meet the Anchorage specifications defined in Table 1.

FROM OSHA: Anchorages used for attachment of Personal Fall Arrest Systems shall be independent of any anchorage being used to support or suspend platforms, and capable of supporting at least 5,000 lbs (22 kN) per user attached, or be designed, installed, and used as part of a complete Personal Fall Arrest System which maintains a safety factor of a least 2, and is under the supervision of a qualified person.

- 2.2 PERSONAL FALL ARREST SYSTEM:** Figure 1 illustrates the application of this Anchorage System. Personal Fall Arrest Systems (PFAS) used with the system must meet applicable OSHA, ANSI, CE, state, and federal requirements. The PFAS shall incorporate a Full Body Harness and meet the following capabilities:

	Maximum Arresting Force	Maximum Free Fall Distance
PFAS with Shock Absorbing Lanyard	900 lb (4 kN)	6 ft (1.8 m)
	Maximum Arresting Force	Maximum Free Fall Distance
PFAS with Self Retracting Device (SRL)	900 lb (4 kN)	2 ft (0.61 m)

IMPORTANT: Under NO circumstances is a PFAS with a Free Fall distance greater than 6 ft (1.8 m) acceptable for use with the Anchorage System.

- 2.3 FALL PATH AND SRL LOCKING SPEED:** A clear path is required to assure positive locking of an SRL. Situations which do not allow for an unobstructed fall path should be avoided. Working in confined or cramped spaces may not allow the body to reach sufficient speed to cause the SRL to lock if a fall occurs. Working on slowly shifting material, such as sand or grain, may not allow enough speed buildup to cause the SRL to lock.

1 Qualified Person: A person with a recognized degree of professional certificate and with extensive knowledge, training, and experience in the fall protection and rescue field who is capable of designing, analyzing, evaluating, and specifying fall protections and rescue systems to the extent required by OSHA and other applicable standards.

2 Competent Person: One who is capable of identifying existing and predictable hazards in the surroundings or working conditions which are unsanitary, hazardous, or dangerous to employees, and who has authorization to take prompt corrective measures to eliminate them.

3 Authorized Person: A person assigned by the employer to perform duties at a location where the person will be exposed to a fall hazard.

4 Rescuer: Person or persons other than the rescue subject acting to perform an assisted rescue by operation of a rescue system.

5 Inspection Frequency: Extreme working conditions (harsh environments, prolonged use, etc.) may require increasing the frequency of competent person inspections.

2.4 HAZARDS: Use of this equipment in areas with environmental hazards may require additional precautions to prevent injury to the user or damage to the equipment. Hazards may include, but are not limited to: heat, chemicals, corrosive environments, high voltage power lines, explosive or toxic gases, moving machinery, sharp edges, or overhead materials that may fall and contact the user or Personal Fall Arrest System.

2.5 FALL CLEARANCE: There must be sufficient clearance below the user to arrest a fall before the user strikes the ground or other obstruction. Fall Clearance is dependent on the following factors:

- Deceleration Distance
- Worker Height
- Elevation of Anchorage Connector
- Free Fall Distance
- Movement of Harness Attachment Element
- Connecting Subsystem Length

See the Personal Fall Arrest System manufacturer's instructions for specifics regarding Fall Clearance calculation.

2.6 SWING FALLS: Swing Falls occur when the anchorage point is not directly above the point where the fall occurs (see Figure 4). The force of striking an object while swinging from the pendulum effects of a Swing Fall can cause serious injury. Swing Falls can be minimized by limiting the horizontal distance (H) between the user and the anchorage point. In a Swing Fall, the total vertical fall distance (F) will be greater than if the user had fallen directly below the anchorage point, thus increasing Fall Clearance required to safely arrest the user's fall. See the PFAS manufacturer's instructions for details regarding Swing Falls and Fall Clearance calculation.

2.7 SHARP EDGES: Avoid working where Lifeline or Lanyard components of the Personal Fall Arrest System (PFAS) can contact or abrade against unprotected sharp edges (see Figure 5). Where contact with a sharp edge is unavoidable, cover the edge with protective material (A).

2.8 COMPONENT COMPATIBILITY: Capital Safety equipment is designed for use with Capital Safety approved components and subsystems only. Substitutions or replacements made with non-approved components or subsystems may jeopardize compatibility of equipment and may effect the safety and reliability of the complete system.

IMPORTANT: *Equipment substitutions require written consent from Capital Safety.*

2.9 CONNECTOR COMPATIBILITY: Connectors are considered to be compatible with connecting elements when they have been designed to work together in such a way that their sizes and shapes do not cause their gate mechanisms to inadvertently open regardless of how they become oriented. Contact Capital Safety if you have any questions about compatibility.

Connectors (hooks, carabiners, and D-rings) must be capable of supporting at least 5,000 lbs. (22.2 kN). Connectors must be compatible with the anchorage or other system components. Do not use equipment that is not compatible.

Non-compatible connectors may unintentionally disengage (see Figure 6). Connectors must be compatible in size, shape, and strength. If the connecting element to which a snap hook or carabiner attaches is undersized or irregular in shape, a situation could occur where the connecting element applies a force to the gate of the snap hook or carabiner (A). This force may cause the gate to open (B), allowing the snap hook or carabiner to disengage from the connecting point (C).

Self-locking snap hooks and carabiners are required

2.10 MAKING CONNECTIONS: Snap hooks and carabiners used with this equipment must be self-locking. Ensure all connections are compatible in size, shape and strength. Do not use equipment that is not compatible. Ensure all connectors are fully closed and locked.

Capital Safety connectors (snap hooks and carabiners) are designed to be used only as specified in each product's user's instructions. See Figure 7 for examples of inappropriate connections. Do not connect snap hooks and carabiners:

- A. To a D-ring to which another connector is attached.
- B. In a manner that would result in a load on the gate.

NOTE: *Large throat snap hooks should not be connected to standard size D-rings or similar objects which will result in a load on the gate if the hook or D-ring twists or rotates, unless the snap hook complies is equipped with a 3,600 lb (16 kN) gate. Check the marking on your snap hook to verify that it is appropriate for your application.*

- C. In a false engagement, where features that protrude from the snap hook or carabiner catch on the anchor, and without visual confirmation seems to be fully engaged to the anchor point.
- D. To each other.
- E. Directly to webbing or rope lanyard or tie-back (unless the manufacturer's instructions for both the lanyard and connector specifically allows such a connection).
- F. To any object which is shaped or dimensioned such that the snap hook or carabiner will not close and lock, or that roll-out could occur.
- G. In a manner that does not allow the connector to align properly while under load.

3.0 INSTALLATION

IMPORTANT: The Flexiguard SafRig Fall Arrest System must be installed by a Qualified Person and the installation must be certified by a Qualified Person as: meeting the criteria for a Certified Anchorage, or capable of supporting the potential forces that could be encountered during a fall.

IMPORTANT: Do not alter or intentionally misuse this equipment. Consult Capital Safety when installing or using this equipment in combination with components or subsystems other than those described in this manual. Some subsystems and component combinations may interfere with the operation of this equipment.

3.1 PLANNING: Plan your fall protection system prior to installation of the Flexiguard SafRig™ Fall Arrest System (SafRig FAS). Account for all factors that may affect your safety before, during, and after a fall. Consider all requirements, limitations, and specifications defined in Section 2 and Table 1. Refer to Figure 2 for identification of SafRig system components.

3.2 SYSTEM SETUP - COUNTERWEIGHT BASE: Figure 7 illustrates final setup of the SafRig™ FAS:

- 1. Install the Offset Arm on the Vertical Mast:** See Figure 7 (1). Bolt the Offset Arm to the Vertical Mast with the supplied hardware. Torque hardware to 60 ft*lbs.
- 2. Fill the Counterweight Base with Concrete:** See Figure 7 (2 & 3). Fill the Counterweight Base with 4,000 psi concrete. (Contact Capital Safety for specific concrete requirements).
- 3. Install Leveling Jacks:** If the optional Leveling Jack Kit (8530563) was purchased with your Counterweight Base, install the Leveling Jacks on the Counterweight Base as instructed in the Installation Instructions included with the Leveling Jack Kit.

3.3 SYSTEM SETUP - STEEL OUTRIGGER BASE: Figure 7 illustrates final setup of the SafRig™ FAS:

- 1. Install the Offset Arm on the Vertical Mast:** See Figure 7 (1). Bolt the Offset Arm to the Vertical Mast with the supplied hardware. Torque hardware to 60 ft*lbs.
- 2. Assemble Steel Outrigger Base:** See Figure 7 (2A). Position the center section of the base. Set the two outriggers in place and attach with the supplied hardware. Torque hardware to 60 ft*lbs.
- 3. Drive Over Guards:** See Figure 7 (3A). Position the drive over guards. Attach with the supplied hardware. Torque hardware to 45 ft*lbs.

3.4 INSTALL THE MAST: Figure 8 illustrates installation of the assembled Vertical Mast and Offset Arm on the Counterweight Base.

- 1. Lubricate the Hitch Ball:** Liberally grease the Hitch Ball on the Hitch Ball Post.
- 2. Position the Vertical Mast over the Base:** Lift the assembled Vertical Mast with a Lifting Sling and Forklift or Crane. Position the Vertical Mast so the Mounting Socket in the bottom of the Vertical Mast is directly over the Hitch Ball Post.
- 3. Lower the Vertical Mast onto the Base:** Lower the Vertical Mast onto the Base until the Hitch Ball fully seats in the Vertical Mast mounting socket.

3.5 INSTALL AN OPTIONAL RETRIEVAL DEVICE: Figure 9 illustrates installation of a Rescue Winch or Self-Retracting Lifeline with Retrieval (SRL-R) on the SafRig Fall Arrest System.

- 1. Remove the Detent Pin:** Remove the Detent Pin from the Winch/SRL-R Mounting Bracket.
- 2. Position the Winch/SRL-R on the Adapter Bracket:** Position the notches in the Winch/SRL-R Mounting Bracket over the Rod Ends protruding from the Adapter Bracket on the SafRig Mast. Pivot the Winch/SRL-R until the holes in the Mounting Bracket align with the holes in the Adapter Bracket.
- 3. Insert the Detent Pin:** Insert the Detent Pin through the holes in the Winch/SRL-R Mounting Bracket and Mast Adapter Bracket.
- 4. Route the Lifeline:** Remove the Detent Pins from the Pulleys on the SafRig Offset Arm. Route the Winch/SRL-R Lifeline over the Pulleys. Re-insert the Detent Pins.

3.6 TRANSPORT AND POSITION THE SYSTEM: Transport and position the SafRig Fall Arrest System as illustrated in Figure 10:

- 1. Rotate and lock the Mast and Arm:** Remove the Rotation Lock Pin. Rotate the Vertical Mast and Offset Arm for best clearance during transport and then reinsert the Rotation Lock Pin.

CAUTION: Never transport the system without the Rotation Lock Pin inserted.

- 2. Transport the System:** Transport the Flexiguard SafRig Fall Arrest System to the desired work location using a Forklift or Pallet Jack and the Lifting Channels.

WARNING: Do not transport at speeds exceeding 5 mph (8 kph). Never transport the system on slopes greater than 10°. Excessive speeds or slopes may cause system and transport vehicle tip-overs resulting in serious injury or death.

WARNING: When transporting the SafRig System, be aware of overhead obstructions and electrical hazards which may result in serious injury or death.

- 3. Place the System:** Place the Flexiguard SafRig Fall Arrest System near the work area on a surface with 1° or less of slope. Use the Slope Indicators on the Counterweight Base to verify that the system is level.

SLOPE INDICATORS: Leveling Jacks may be installed in the Leveling Jack Mounts on the Counterweight Base for purposes of leveling the system on a surface that is not level. Extend the Leveling Jacks until they contact the ground. Crank the Leveling Jacks up or down as needed until all Slope Indicators indicate less than 1° of slope.

CAUTION: Personnel shall not be attached to the Flexiguard SafRig Fall Arrest System while it is being positioned.

Rotate and lock the Mast and Arm: Rotate the Vertical Mast and Offset Arm to the desired work position and then set the Rotation Limits. The Mast can be locked at 11° rotation increments with the Rotation Lock Pin Mechanism or allowed to rotate through a range defined by two Rotation Limiters:

- **No Rotation:** Insert the Rotation Lock Pin through the inside Pin Hole and aligned hole in the Rotation Plate to prevent the Jib Boom from rotating.
- **Rotation Range:** Insert the Rotation Lock Pin through the outside Pin Hole and then move the Rotation Limiters to the desired limits on the Rotation Plate. Insert the Rotation Limiter Pegs through the desired holes in the Rotation Plate to define the rotation range.

CAUTION: The Flexiguard SafRig Fall Arrest System may be used without the Rotation Lock Pin or Rotation Limiters inserted, allowing 360° rotation; but can cause increased swing fall in multiple directions in the event of a fall.

4.0 USE

WARNING: Consult your doctor if there is any reason to doubt your fitness to safely absorb the shock from a fall arrest or suspension. Age and fitness seriously affect a worker's ability to withstand falls. Pregnant women or minors must not use DBI-SALA equipment unless in an emergency situation.

WARNING: Never exceed the Capacity maximums specified in Table 1. Exceeding the stated capacity could collapse or tip the system, resulting in serious injury or death.

4.1 BEFORE EACH USE: Verify that your work area and Personal Fall Arrest System (PFAS) meet all criteria defined in Section 2 and a formal Rescue Plan is in place. Inspect the Fall Arrest System per the 'User' inspection points defined on the "Inspection and Maintenance Log" (Table 2). If inspection reveals an unsafe or defective condition, do not use the Fall Arrest System. Remove the system from service and contact Capital Safety regarding replacement or repair.

SAFE WORK AREA: Figure 3 illustrates the Safe Work Area for the Fall Arrest System. The gray shading on the table designates safe working distances where the angle of the Lifeline is less than or equal to 30° from vertical and the Horizontal Distance (H) from the anchorage connection point is less than or equal to 6 ft (1.82 m). NEVER work at a Horizontal Distance (H) and Vertical Distance (V) that results in a calculated Vertical Fall Distance (F) exceeding the gray shaded values on the table in Figure 3.

4.2 SYSTEM CONNECTIONS: The Fall Arrest System must be used with a Full Body Harness and Fall Arrest subsystem (see Figure 11). Possible subsystem applications are as follows:

- A Fall Arrest Self-Retracting Device (SRD) with Integrated 3-Way Retrieval
- A Work Positioning Winch with a backup Fall Arrest Self-Retracting Device (SRD)
- A Fall Arrest Self-Retracting Device (SRD) - No Work Positioning

Consult the instructions provided with your respective Fall Arrest and Work Positioning equipment for additional details regarding proper connection and use.

WARNING: Inappropriate or incompatible connections between components of the Personal Fall Arrest System (PFAS) may result in serious injury or death. See Section 2 for details regarding connector compatibility and safe connections.

5.0 INSPECTION

- 5.1 INSPECTION FREQUENCY:** The Flexiguard System must be inspected at the intervals defined in Section 1. Inspection procedures are described in the "Inspection and Maintenance Log" (Table 2). Inspect all other components of the Fall Protection System per the frequencies and procedures defined in the manufacturer's instructions.

Record the inspection date on the inspected equipment. Record the inspection date and results on the "Inspection and Maintenance Log" at the back of this manual.

i-Safe™ RFID: Some Flexiguard Systems are equipped with an i-Safe Radio Frequency Identification (RFID) Tag. The RFID Tag can be used in conjunction with the i-Safe Handheld Reading Device to simplify inspection and inventory control and provide records for you fall protection equipment. If you are a first-time i-Safe user, contact Capital Safety or visit www.capitalsafety.com.

- 5.2 DEFECTS:** If inspection reveals an unsafe or defective condition, remove the System from service immediately and contact Capital Safety regarding replacement or repair. Do not attempt to repair the System.

IMPORTANT: Only Capital Safety or parties authorized in writing by Capital Safety may make repairs to this equipment.

- 5.3 PRODUCT LIFE:** The functional life of the System is determined by work conditions and maintenance. As long as the product passes inspection criteria, it may remain in service.

6.0 MAINTENANCE, SERVICING, STORAGE

- 6.1 CLEANING:** Periodically clean the System's metal components with a soft brush, warm water, and a mild soap solution. Ensure parts are thoroughly rinsed with clean water.

IMPORTANT: Although highly resistant to chemicals and environmental conditions, avoid contaminating the Flexiguard System with acids, bitumen, cement, paint, cleaning fluids, etc. If the equipment contacts acids or other caustic chemicals, remove from service and wash with water and a mild soap solution. Inspect per Table 2 before returning to service.

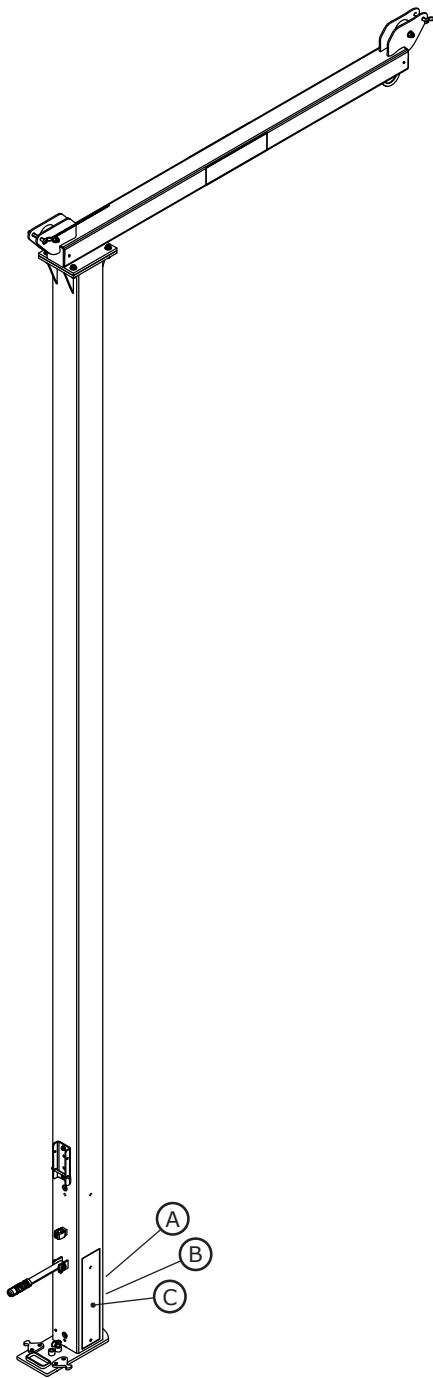
- 6.2 SERVICE:** Only Capital Safety or parties authorized in writing by Capital Safety may make repairs to this equipment. If the Flexiguard System has been subject to fall force or inspection reveals an unsafe or defective conditions, remove the system from service and contact Capital Safety regarding replacement or repair.

- 6.3 STORAGE AND TRANSPORT:** The Flexiguard system is designed to be stored outdoors during normal weather conditions. If the weather is severe, it is recommended to store the system in an area that protects against damage to the system. Store the Flexiguard System and associated fall protection equipment in a cool, dry, clean environment out of direct sunlight. Avoid areas where chemical vapors may exist. Thoroughly inspect components after extended storage.

If the system is transported long distances, it should be disassembled and all components secured and protected from severe conditions during transport.

LABELS

The following labels must be present on the Flexiguard SafRig Fall Arrest System. Labels must be replaced if they are not fully legible. Contact Capital Safety for replacement labels.



(A)

DBI SALA®

CE 0086
EN795:2012
TYPE "B"

9508037 Rev. A

READ INSTRUCTIONS: *The user/rescuer must read and understand these instructions or have them explained to them before using this equipment.*

(B)

DBI SALA®

9504547 Rev. H

www.capitalsafety.com
Capital Safety
Red Wing, MN, USA
+1-800-328-6146

SERIAL NO.: XXXXXX
Numéro de série: XXXXXX

MFRD(Y/M):	LOT NO.:	MODEL NO.:	LENGTH (FT):
Fabriqué(a) (a/ m)	Numéro de lot:	Numéro du modèle:	Longueur(m):

(C)

flexiguard

**SAFRIG FALL PROTECTION SYSTEM
OPERATORS INSTRUCTIONS**

WARNING

- ALL USERS MUST READ AND UNDERSTAND THE INSTRUCTIONS PRIOR TO USING THIS SYSTEM.
- RETRACTABLE DEVICES AND SHOCK ABSORBERS USED WITH THIS PRODUCT MUST HAVE AN AVERAGE ARRESTING FORCE OF NOT GREATER THAN 900 LB (4 KN) AND MEET ANSI Z359.14 TYPE B OR Z359.13 RESPECTIVELY.
- DO NOT EXCEED THE MAXIMUM NUMBER OF USERS RATING.
- NO MORE THAN ONE PERSON IS ALLOWED TO BE ATTACHED TO A GLIDE RAIL TROLLEY OR ANCHOR POINT AT ANY GIVEN TIME.
- DO NOT EXCEED THE RECOMMENDED SAFE WORKING ANGLE OF 30°AS SHOWN IN FIGURE 1. FAILURE TO WORK WITHIN THE SAFE WORKING AREA MAY CAUSE SERIOUS INJURY OR DEATH.
- BE CAUTIOUS OF OVERHEAD POWER LINES OR OTHER ELECTRIC SOURCES WHICH CAN CAUSE ELECTRIC SHOCK.
- IF YOU HAVE ANY QUESTIONS OR CONCERNS ON THE USAGE, CARE, OR SUITABILITY OF THIS EQUIPMENT, PLEASE CONTACT CAPITAL SAFETY BEFORE USING IT.
- SUPPORTING STRUCTURES FOR THIS SYSTEM MUST BE CERTIFIED AND CAPABLE OF SUPPORTING THE ENTIRE WEIGHT OF THE CONFIGURED SYSTEM ALONG WITH ANY LOADS THAT COULD POTENTIALLY BE INTRODUCED IN THE EVENT OF ARRESTING A FALL.
- ONLY USE THIS SYSTEM ON LEVEL GROUND.

FIGURE 1

8560015

8560016

**WEIGHTS
INDIVIDUAL COMPONENTS:**

DAVIT - 550 lbs. [249 kg]
C/W BASE - 5,960 lbs. [2703 kg]
I-BASE - 1,300 lbs. [590 kg]

TOTAL SYSTEM:

8560015 - 1,850 lbs. [839 kg]
8560016 - 6,510 lbs. [2953 kg]

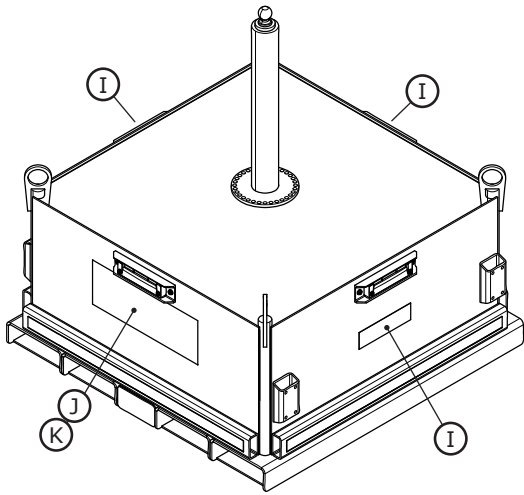
THIS MAN-RATED SYSTEM IS DESIGNED FOR A MAXIMUM OF

1 PERSON

USER CAPACITY IN ACCORDANCE WITH MANUFACTURER'S INSTRUCTIONS. FAILURE TO COMPLY MAY RESULT IN SERIOUS INJURY OR DEATH.

THIS SYSTEM MEETS OR EXCEEDS ALL APPLICABLE OSHA & ANSI STANDARDS.

9509794 Rev. A



(I)

WARNING

APPROXIMATE WEIGHT

6000 lbs / 2,722 kg

9509784 REV A

(J)

DBI SALA [®] 9504547 Rev. H

www.capitalsafety.com
Capital Safety
Red Wing, MN, USA
+1-800-328-6146

SERIAL NO.: **XXXXXX**
Numéro de série: **XXXXXX**

MFRD(Y/M):	LOT NO.:	MODEL NO.:	LENGTH (FT):
Fabriqué(a) (a/m)	Numéro de lot:	Numéro du modèle:	Longueur(m):

(K)

flexiguard [™] PORTABLE COUNTERWEIGHTED JIB BASE SYSTEM WITH CENTER MOUNTED SLEEVE

OPERATORS INSTRUCTIONS / BENUTZERANWEISUNGEN:

WARNING / WARNUNG

- DO NOT USE THIS SYSTEM UNLESS IT HAS BEEN FILLED WITH 4000 PSI CONCRETE. DIESES SYSTEM DARF ERST VERWENDET WERDEN, NACHDEM ES MIT EINER BETONMISCHUNG MIT EINER DRUCKFESTIGKEIT VON 4000 PSI GEFÜLLT WURDE.
- DO NOT FILL THE DAVIT SLEEVE WITH CONCRETE. PLUG HOLE WHILE FILLING BOX. NIE AUSLEGERMASTBUCHSE NICHT MIT BETON FÜLLEN. DAS LOCH WÄHREND DER FÜLLUNG DES SOCKELKASTENS VERSCHLIESSEN.
- ALL USERS MUST READ AND UNDERSTAND THE INSTRUCTIONS PRIOR TO USING THIS SYSTEM. DIE AUSLEGERMASTBUCHSE NICHT MIT BETON FÜLLEN. DAS LOCH WÄHREND DER FÜLLUNG DES SOCKELKASTENS VERSCHLIESSEN.
- DO NOT TRANSPORT AT SPEEDS GREATER THAN 5 MPH / 8 KPH. NICHT MIT GESCHWINDIGKEITEN HÖHER ALS 8 KM/H. (5 MPH) TRANSPORTIEREN.
- PLEASE SEE DAVIT WARNING LABEL TO DETERMINE SAFE NUMBER OF USERS. SIEHE DEN WARHNHINWEIS AM AUSLEGER ZUR ERMITTLUNG DER SICHEREN ANZAHL VON BENUTZERN.
- NO MORE THAN ONE PERSON IS ALLOWED TO BE ATTACHED TO A GLIDE RAIL TROLLEY OR ANCHOR POINT AT ANY GIVEN TIME. IN KEINEM FALL DARF MEHR ALS EINE PERSON ZUR GLEICHEN ZEIT AM GLEITSCHIENENLAUFER ODER VERANKERUNGSPUNKT GESICHERT SEIN.
- BE CAUTIOUS OF OVERHEAD POWER LINES OR OTHER ELECTRIC SOURCES WHICH CAN CAUSE ELECTRIC SHOCK. VORSICHT VOR FREILEITUNGEN ODER ANDEREN ELEKTROSCHE QUELLEN, DIE EINEN ELEKTROSCHEM SCHLAG VERURSACHEN KÖNNEN.
- DO NOT USE THIS SYSTEM UNLESS THE SLOPE INDICATORS ARE INDICATING 1° OR LESS OF SLOPE. THE LEVELING JACKS (IF SUPPLIED) SHOULD BE USED TO LEVEL THE SYSTEM WITHIN THE 1° REQUIREMENT. DIESES SYSTEM DARF NICHT VERWENDET WERDEN, ES SEI DENN, DIE NEIGUNGSANZEIGER ZEIGEN 1° NEIGUNG ODER WENIGER AN. DIE NIVELLIERSTÜTZEN (GEGEN VORHANDEN) SOLLTEN VERWENDET WERDEN, UM DAS SYSTEM INNERHALB DER 1°-ANFORDERUNG ZU NIVELLIEREN.
- ENSURE EQUIPMENT USED TO TRANSPORT THIS SYSTEM HAS SUFFICIENT CAPACITY. ES MUSS SICHERGESTELLT WERDEN, DASS DIE ZUM TRANSPORT DIESES SYSTEMS VERWENDETE TRANSPORTMITTEL ÜBER AUSREICHENDE KAPAZITÄT VERFÜGEN.
- IF YOU HAVE ANY QUESTIONS OR CONCERNS ON THE USAGE, CARE, OR SUITABILITY OF THIS EQUIPMENT, PLEASE CONTACT CAPITAL SAFETY BEFORE USING IT. BITTE BEI FRAGEN ZUM GEBRAUCH, ZUR PFLEGE ODER TÄUGLICHKEIT DIESER AUSRÜSTUNG FÜR DEN JEWELIGEN ANWENDUNGSBEREICH CAPITAL SAFETY KONTAKTIEREN.
- SUPPORTING STRUCTURES MUST BE CERTIFIED AND CAPABLE OF SUPPORTING THE ENTIRE WEIGHT OF THE CONFIGURED SYSTEM ALONG WITH ANY LOADS THAT COULD POTENTIALLY BE INTRODUCED IN THE EVENT OF A FALL. UNTERSTÜTZENDE STRUKTUREN MÜSSEN ZERTIFIZIERT SEIN UND DAS GESAMTGEWICHT DES KONFIGURIERTEN SYSTEMS SOWIE ALLEN LASTEN, DIE MÖGLICHERWEISE IM FALLE EINES ABSTURZES AUFTRETEN KÖNNTEN, UNTERSTÜTZEN.
- WHEN TRANSPORTING THIS SYSTEM USING THE LIFTING EYES, ALWAYS LIFT FROM ALL FOUR POINTS EVENLY. DO NOT STAND BELOW THE SYSTEM WHILE IT IS BEING LIFTED OR TRANSPORTED. BEIM TRANSPORT DIESES SYSTEMS MÜSSEN MITHILFE DER TRANSPORTÖSEN IMMER ALLE VIER PUNKTE GLEICHMÄSSIG ANGEGRIFFEN WERDEN. WÄHREND DES HEBBENS ODER TRANSPORTS DES SYSTEMS DARF SICH KEINE PERSON UNTERHALB DES SYSTEMS AUFHALTEN.

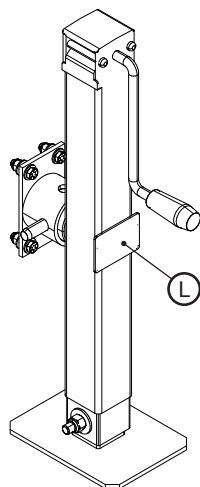
DBI SALA [®] www.capitalsafety.com

Capital Safety
Red Wing, MN, USA
+1-800-328-6146

SERIAL NO.: **XXXXXX**
Numéro de série: **XXXXXX**

MFRD(Y/M):	LOT NO.:	MODEL NO.:	LENGTH (FT):
Fabriqué(a) (a/m)	Numéro de lot:	Numéro du modèle:	Longueur(m):

9509793 Rev. A



(L)

WARNING

AVERTISSEMENT

MAXIMUM LIFT CAPACITY: 5000 lbs / 22kN
Capacité maximale de portance: 5000 lbs / 22kN

Do not remove this label. Fully retract or rotate jack before towing. Engage locking pin on swivel jack before towing or using jack. Blocks used to increase height can cause instability and may cause injury or death. Enlever pas cette étiquette. Retracter complètement la prise avant le remorquage. Engager la pin pivotent avant de remorquage ou en utilisent la prise. Blocs utilisé pour augmenter la hauteur peut entrainer une instabilité et peutvent cause une blessure our la mort.

8518723 Rev. B

<p style="text-align: center;">LIMITED LIFETIME WARRANTY</p> <p>Warranty to End User: CAPITAL SAFETY warrants to the original end user ("End User") that its products are free from defects in materials and workmanship under normal use and service. This warranty extends for the lifetime of the product from the date the product is purchased by the End User, in new and unused condition, from a CAPITAL SAFETY authorised distributor. CAPITAL SAFETY'S entire liability to End User and End User's exclusive remedy under this warranty is limited to the repair or replacement in kind of any defective product within its lifetime (as CAPITAL SAFETY in its sole discretion determines and deems appropriate). No oral or written information or advice given by CAPITAL SAFETY, its distributors, directors, officers, agents or employees shall create any different or additional warranties or in any way increase the scope of this warranty. CAPITAL SAFETY will not accept liability for defects that are the result of product abuse, misuse, alteration or modification, or for defects that are due to a failure to install, maintain, or use the product in accordance with the manufacturer's instructions. THIS WARRANTY IS THE ONLY WARRANTY APPLICABLE TO OUR PRODUCTS AND IS IN LIEU OF ALL OTHER WARRANTIES AND LIABILITIES, EXPRESSED OR IMPLIED.</p>	<p style="text-align: center;">Garantie limitée à vie</p> <p>Garantie de l'utilisateur final : CAPITAL SAFETY garantit à l'utilisateur final d'origine (« Utilisateur final ») que ses produits sont exempts de défauts de matériaux et de fabrication dans des conditions d'utilisation et d'entretien normales. Cette garantie s'étend pendant toute la durée de vie du produit à compter de la date d'achat du produit par l'Utilisateur final, comme produit neuf et inutilisé, auprès d'un distributeur agréé. L'entière responsabilité de CAPITAL SAFETY envers l'Utilisateur final et le recours exclusif de l'Utilisateur final dans le cadre de cette garantie se limite à la réparation ou au remplacement en nature de tout produit défectueux pendant sa durée de vie (si CAPITAL SAFETY, à sa seule discrétion, le juge nécessaire). Aucune information ni aucun conseil, qu'ils soient oraux ou écrits, donnés par CAPITAL SAFETY, ses distributeurs, directeurs, responsables, agents ou employés ne créera de garanties différentes ou supplémentaires ni n'augmentera l'étendue de cette garantie. CAPITAL SAFETY n'assumera en aucun cas la responsabilité de défauts résultant d'une utilisation abusive du produit, de sa mauvaise utilisation, de son altération ou de sa modification, ou de défauts découlant du non-respect des instructions du fabricant en matière d'installation, d'entretien ou de conditions d'utilisation. CETTE GARANTIE EST LA SEULE GARANTIE APPLICABLE À NOS PRODUITS ET ELLE REMPLACE TOUTES LES AUTRES GARANTIES ET RESPONSABILITÉS EXPRIMÉES OU IMPLICITES.</p>
<p style="text-align: center;">Lebenslange Garantie mit Einschränkung</p> <p>Endbenutzer-Garantie: CAPITAL SAFETY garantiert dem ursprünglichen Endbenutzer („Endbenutzer“), dass seine Produkte unter normalem Gebrauch und Betrieb frei von Material- und Herstellungsfehlern sind. Diese Garantie erstreckt sich auf die Lebensdauer des Produkts ab dem Datum, an dem der Endbenutzer das Produkt neu und ungebraucht von einem durch CAPITAL SAFETY autorisierten Händler gekauft hat. Die gesamte Haftung von CAPITAL SAFETY dem Endbenutzer gegenüber und der einzige Anspruch des Endbenutzers ist gemäß dieser Garantie beschränkt auf die Reparatur oder den Ersatz von defekten Produkten innerhalb ihrer Lebensdauer (eine Einschätzung diesbezüglich wird von CAPITAL SAFETY nach eigenem Ermessen durchgeführt). Keine von CAPITAL SAFETY schriftlich oder mündlich an Händler, Vorstandsmitglieder, Führungskräfte, Agenten oder Angestellte übergebenen Informationen oder Hinweise ergeben jegliche andere oder zusätzliche Gewährleistungen, noch erhöhen sie den Umfang dieser Garantie. CAPITAL SAFETY schließt eine Haftung für Defekte aufgrund von unsachgemäßem Gebrauch, Änderungen oder Modifikationen am Produkt sowie für Defekte, die darauf zurückzuführen sind, dass das Produkt nicht gemäß der Anweisungen des Herstellers montiert, gewartet und verwendet wurde, aus. DIESE GARANTIE IST DIE EINZIG GÜLTIGE GARANTIE FÜR UNSERE PRODUKTE UND GILT ANSTELLE VON ALLEN ANDEREN GARANTIEN UND HAFTUNGSBEDINGUNGEN, SEI ES AUSDRÜCKLICH ODER STILLSCHWEIGEND.</p>	<p style="text-align: center;">ΠΕΡΙΟΡΙΣΜΕΝΗ ΕΓΓΥΗΣΗ ΕΦ΄ ΟΡΟΥ ΖΩΗΣ</p> <p>Εγγύηση τελικού χρήστη: Η CAPITAL SAFETY εγγυάται στον αρχικό τελικό χρήστη («Τελικός χρήστης») ότι τα προϊόντα της δεν παρουσιάζουν ελαττώματα σε υλικά και κατασκευή υπό κανονικές συνθήκες χρήσης και λειτουργίας. Η εγγύηση αυτή ισχύει για τη διάρκεια ζωής του προϊόντος από την ημερομηνία αγοράς του από τον Τελικό χρήστη σε κατάσταση καινούργια και αχρησιμοποιητή από έναν εξουσιοδοτημένο διανομέα της CAPITAL SAFETY. Η συνολική ευθύνη της CAPITAL SAFETY απέναντι στον Τελικό χρήστη και η αποκλειστική δέσμευση του Τελικού χρήστη με την παρούσα εγγύηση περιορίζεται στην επισκευή ή αντικατάσταση σε είδος οποιουδήποτε ελαττωματικού προϊόντος κατά τη διάρκεια ζωής του (όπως καθορίζει και κρίνει σκόπιμο η CAPITAL SAFETY κατά την αποκλειστική διακριτική της ευχέρεια). Καμία προφορική ή γραπτή πληροφορία ή συμβουλή που παρέχεται από την CAPITAL SAFETY, τους διανομείς, τους διευθυντές, τα στελέχη, τους αντιπροσώπους ή τους υπαλλήλους της δεν μπορεί να δημιουργήσει διαφορετικές ή επιπρόσθετες εγγυήσεις ή να αυξήσει με οποιονδήποτε τρόπο το πεδίο εφαρμογής της παρούσας εγγύησης. Η CAPITAL SAFETY δεν αναλαμβάνει καμία ευθύνη για ελαττώματα, τα οποία είναι αποτέλεσμα κατάχρησης, εσφαλμένης χρήσης, αλλοίωσης ή τροποποίησης του προϊόντος, ή για ελαττώματα τα οποία οφείλονται σε αποτυχία εγκατάστασης, συντήρησης ή χρήσης του προϊόντος σύμφωνα με τις οδηγίες του κατασκευαστή. Η ΠΑΡΟΥΣΑ ΕΓΓΥΗΣΗ ΕΙΝΑΙ Η ΜΟΝΗ ΕΓΓΥΗΣΗ ΓΙΑ ΤΑ ΠΡΟΪΟΝΤΑ ΜΑΣ ΚΑΙ ΠΑΡΕΧΕΤΑΙ ΑΝΤΙ ΟΛΩΝ ΤΩΝ ΑΛΛΩΝ ΕΓΓΥΗΣΕΩΝ ΚΑΙ ΥΠΟΧΡΕΩΣΕΩΝ, ΡΗΤΩΝ Ή ΣΙΩΠΗΡΩΝ.</p>



Fall Protection

USA

3833 SALA Way
Red Wing, MN 55066-5005
Toll Free: 800.328.6146
Phone: 651.388.8282
Fax: 651.388.5065
solutions@capitalsafety.com

Brazil

Rua Anne Frank, 2621
Boqueirão Curitiba PR
81650-020
Brazil
Phone: 0800-942-2300
brasil@capitalsafety.com

Mexico

Calle Norte 35, 895-E
Col. Industrial Vallejo
C.P. 02300 Azcapotzalco
Mexico D.F.
Phone: (55) 57194820
mexico@capitalsafety.com

Colombia

Compañía Latinoamericana de Seguridad S.A.S.
Carrera 106 #15-25 Interior 105 Manzana 15
Zona Franca - Bogotá, Colombia
Phone: 57 1 6014777
servicioalcliente@capitalsafety.com

Canada

260 Export Boulevard
Mississauga, ON L5S 1Y9
Phone: 905.795.9333
Toll-Free: 800.387.7484
Fax: 888.387.7484
info.ca@capitalsafety.com

EMEA (Europe, Middle East, Africa)

EMEA Headquarters:
5a Merse Road
North Moons Moat
Redditch, Worcestershire
B98 9HL UK
Phone: + 44 (0)1527 548 000
Fax: + 44 (0)1527 591 000
csgne@capitalsafety.com

France:

Le Broc Center
Z.I. 1re Avenue - BP15
06511 Carros Le Broc Cedex
France
Phone: + 33 04 97 10 00 10
Fax: + 33 04 93 08 79 70
information@capitalsafety.com

Australia & New Zealand

95 Derby Street
Silverwater
Sydney NSW 2128
Australia
Phone: +(61) 2 8753 7600
Toll-Free : 1800 245 002 (AUS)
Toll-Free : 0800 212 505 (NZ)
Fax: +(61) 2 8753 7603
sales@capitalsafety.com.au

Asia

Singapore:

69, Ubi Road 1, #05-20
Oxley Bizhub
Singapore 408731
Phone: +65 - 65587758
Fax: +65 - 65587058
inquiry@capitalsafety.com

Shanghai:

Rm 1406, China Venturetech Plaza
819 Nan Jing Xi Rd,
Shanghai 200041, P R China
Phone: +86 21 62539050
Fax: +86 21 62539060
inquiry@capitalsafety.cn

www.capitalsafety.com

